

CRANKCASE

KEY	PART NO.	PART NAME	QTY	REMARKS
1	M147493	SCREEN	1	(SUB MIU11503)
2	M152566	SCREW	4	
3	MIU12152	SCREW	2	(SUB FOR LG690372)
4	MIU11503	FAN	1	(NLA) (SUB FOR M152561) (SUB MIA11519)
5	15H623	PIPE PLUG	1	3/8"
5	LG690946	DRAIN PLUG	1	(USE WITH MIA11015)
6	M153303	SCREW	1	
7	AM135134	FLYWHEEL	1	
8	LG691265	SNAP RING	1	
9	LG693713	PINION	1	STARTER
10	M147508	SCREW	2	
11	MIU11682	TUBE	1	BREATHER, (SUB FOR M147499)
12	M147500	COVER	1	NLA, ORDER MIU11631
12	MIU11631	COVER	1	(USE WITH MIA11015)
13	M147564	GASKET	1	
14	M147507	SCREW	2	
15	M147501	BREATHER	1	REED
16	MIA11419	CYLINDER BLOCK	1	(SUB FOR AM132374 OR MIA11101)
17	LG399265	BEARING	1	NLA; ORDER MIA11778; Bushing W/Seal
17	MIA11778	SEAL KIT	1	Bushing W/Seal
18	LG391086S	SEAL	1	(MAGNETO SIDE)
19	LG690959	DOWEL PIN	2	
20	M147497	BUSHING	1	GOVERNOR
21	LG692407	SEAL	1	GOVERNOR
22	OIL TUBE	1	
23	T77932	O-RING	1	
24	M144897	CAP	1	
25	AM131611	TUBE	1	OIL DRAIN
26	AM135143	RESERVOIR	1	NLA; ORDER MIA12717
26	MIA12717	RESERVOIR	1	
27	MIA10696	BALL	1	(NLA)
28	LG690770	SCREEN	1	
29	M147513	GASKET	1	
30	MIU11958	SEAL	1	PTO SIDE, (SUB FOR MIU11212)

<https://www.ebooklibonline.com>

Hello dear friend!

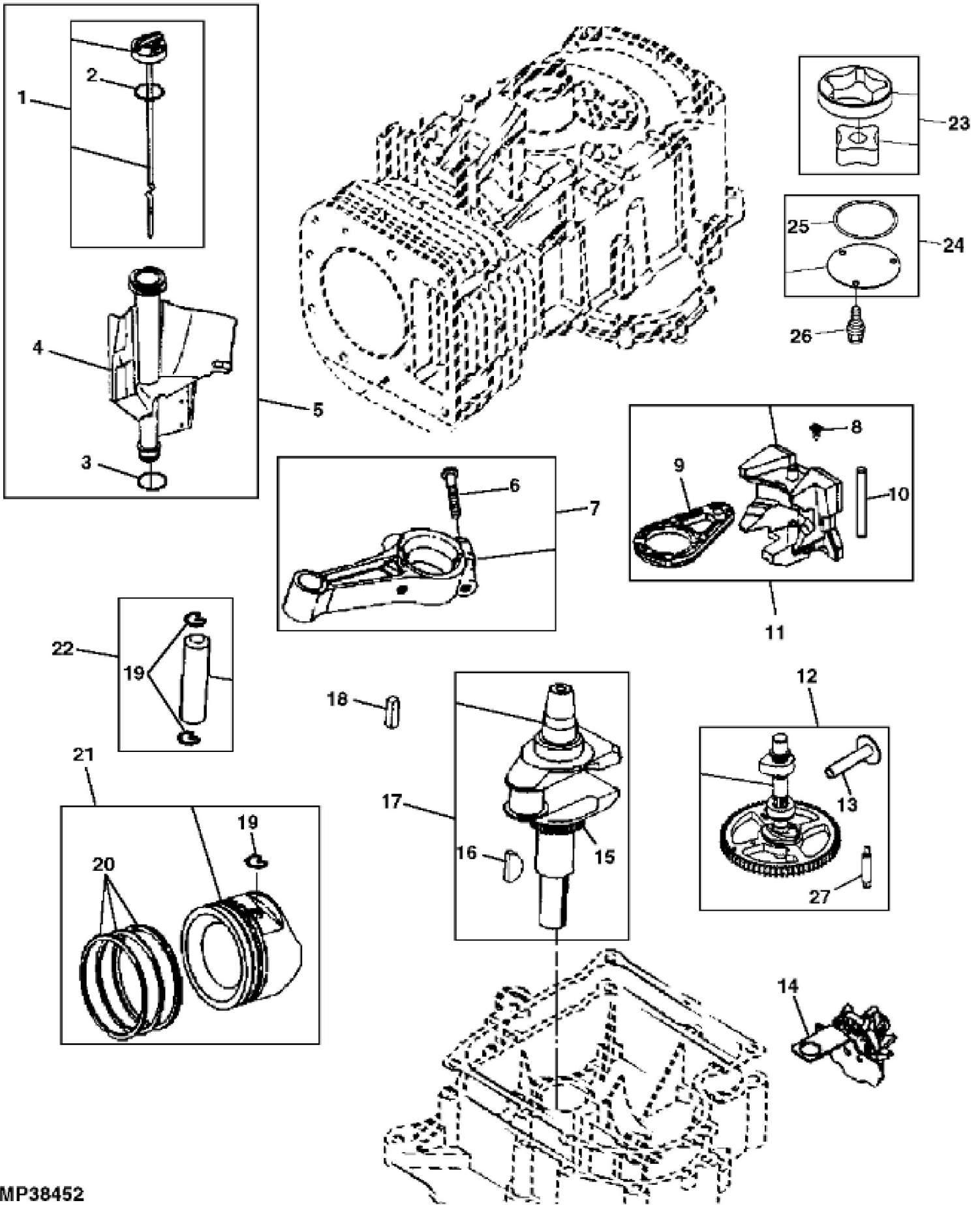
Thank you very much for reading.

Enter the link into your browser.

The full manual is available for immediate download.

<https://www.ebooklibonline.com>

KEY	PART NO.	PART NAME	QTY	REMARKS
31	15H638	PIPE PLUG	1	1/8"
32	AM125424	OIL FILTER	1	
33	LG692125	CAP SCREW	10	
34	GC00331	BOLT	4	NLA; ORDER GX24210; Engine Mounting
34	GX24210	SCREW	4	
35	PM37469	LIQUID GASKET	AR	
36	MIU11635	PLUG	1	(A) FLYWHEEL FAN
37	MIU12139	FLYWHEEL	1	(A) FAN
38	MIA13017	SCREEN KIT	1	(A) SUB FOR MIU11634 AND MIA11525
39	MIU11638	SCREW	2	(A)
..	MIA10806	GASOLINE ENGINE	1	(MARKED 31P677-0130-E1) (SUB MIA11015)
..	AM134602	SHORT BLOCK ASSEMBLY	1	NLA, (ORDER MIA11015)
..	MIA11519	FLYWHEEL KIT	1	(INCLUDES PARTS MARKED (A))





Suggest:

For more complete manuals. Please go to the home page.

<https://www.ebooklibonline.com>

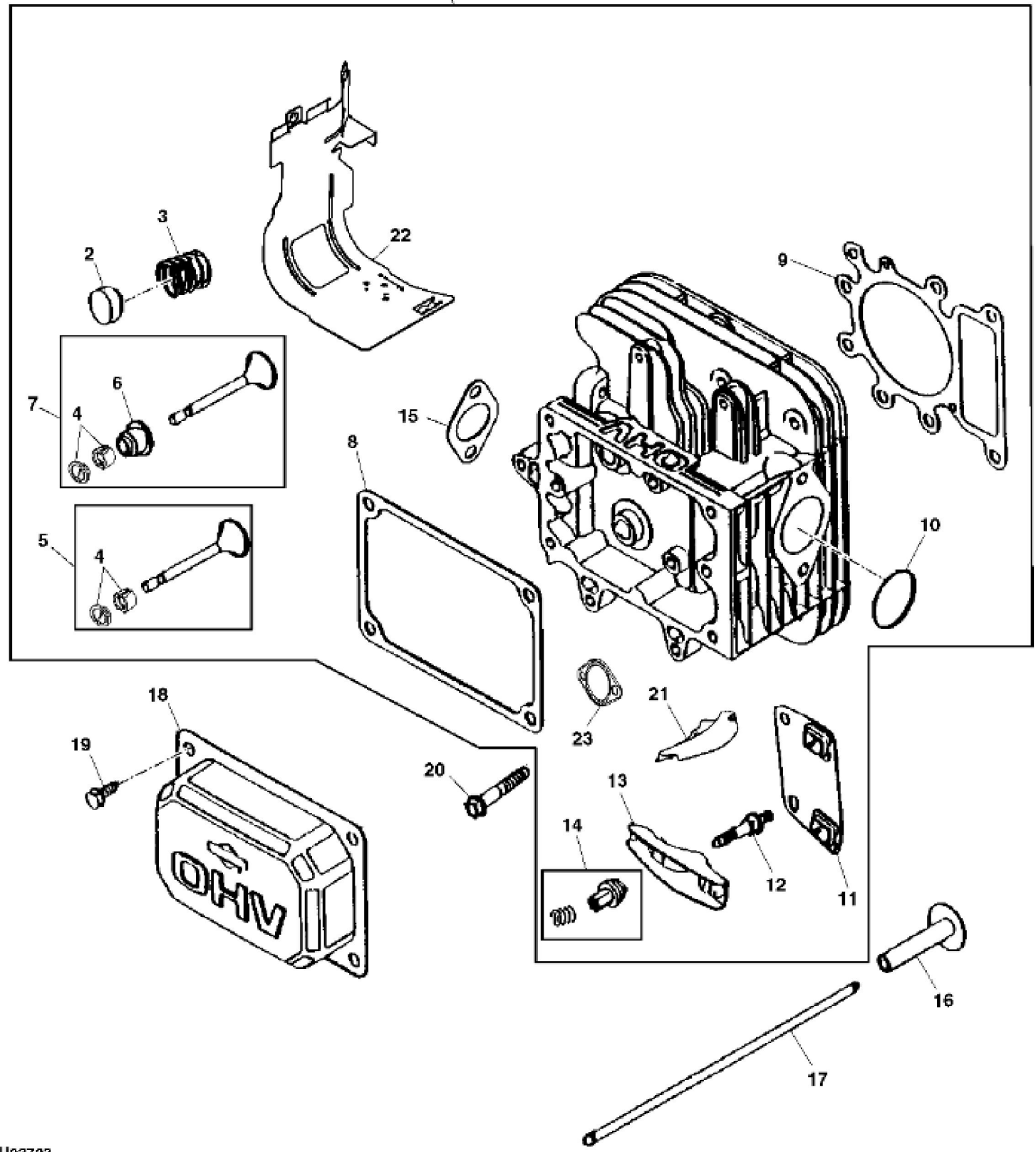
If the above button click is invalid. Please download this document first, and then click the above link to download the complete manual.

Thank you so much for reading

CRANKSHAFT, PISTON AND DIPSTICK

KEY	PART NO.	PART NAME	QTY	REMARKS
1	AM135145	DIPSTICK	1	
2	LG691031	O-RING	1	
3	LG691032	SEAL	1	
4	M152554	DIPSTICK TUBE	1	
5	AM135144	DIPSTICK TUBE	1	
6	MIU11051	SCREW	2	
7	MIA11126	CONNECTING ROD	1	(SUB FOR MIA10693)
7	MIA10694	CONNECTING ROD	1	(.50 MM (.020")) OS, NLA
8	MIU11437	PLUG	1	SUB FOR M147515
9	MIU11436	LINK	2	(SUB FOR M152555)
10	M152556	PIN	1	
11	MIA10989	COUNTERWEIGHT	1	(SUB FOR AM132354)
12	MIA11377	CAMSHAFT	1	(SUB FOR MIA10695 OR MIA11157)
13	LG690564	TAPPET	2	
14	LG691968	OIL SLINGER	1	
15	M147512	GEAR	1	TIMING
16	LG691639	SHAFT KEY	1	
17	MIA10982	CRANKSHAFT	1	(SUB FOR AM135142)
18	LG222698S	SHAFT KEY	1	FLYWHEEL
19	M152553	LOCK	2	
20	MIA10691	PISTON RING KIT	1	
20	MIU11639	PISTON RING KIT	1	(.50 MM (.020")) OS, (SUB FOR MIA10692)
21	MIA11421	PISTON	1	(SUB FOR MIA10690)
21	MIA11430	PISTON	1	(.50 MM (.020")) OS, (SUB FOR MIA10918)
22	AM132347	PISTON PIN	1	
23	MIA11172	OIL PUMP	1	(SUB FOR LG499054)
24	LG499613	COVER	1	
25	LG690589	SEAL	1	
26	MIU11119	SCREW	3	
27	M148242	SHAFT	1	(NLA) OIL PUMP, (SUB MIA11172)

1



<https://www.ebooklibonline.com>

Hello dear friend!

Thank you very much for reading.

Enter the link into your browser.

The full manual is available for immediate download.

<https://www.ebooklibonline.com>