

John Deere > Turf And Utility >TRACTOR, LAWN AND GARDEN >SCOTTS - TRACTOR, LAWN AND GARDEN >L2548 Scotts Lawn Tractor with 48-inch Mower Deck >20 ENGINE GU20046 >ST645142 -
CYLINDER BLOCK AND DIPSTICK

KEY	PART NO.	PART NAME	QTY	REMARKS
1	UC11104	DIPSTICK	1	SUB FOR LG499602
2	LG691031	O-RING	1	
3	LG691036	DIPSTICK	1	
4	LG691032	SEAL	1	
5	LG691037	OIL TUBE	1	
6	M153266	SCREW	1	
7	LG391086S	SEAL	1	
8	MIA11778	SEAL KIT	1	(SUB FOR LG499585)
9	LG690959	DOWEL PIN	1	
10	LG690231	CYLINDER	1	
10	AM129796	CYLINDER	1	NLA
11	MIU14436	GASKET	1	SUB FORM150226, LG690945 AND MIU13979
12	LG690770	SCREEN	1	NLA; ORDER MIU12709
12	MIU12709	SCREEN	1	
13	LG691680	DRAIN PLUG	1	
14	LG690954	THREADED NIPPLE	1	
15	15H638	PIPE PLUG	1	1/8"
16	MIU11958	SEAL	1	(SUB FOR LG690947 OR MIU11212)
17	M142284	SEAL	1	NLA; ORDER MIU11284; Governor Shaft
17	MIU11284	SEAL	1	
18	M142281	BUSHING	1	GOVERNOR CRANK; NLA; ORDER MIU12503
18	MIU12503	BUSHING	1	
19	LG690069	RESERVOIR	1	
20	AM125424	OIL FILTER	1	
21	LG690957	RETAINER	1	
22	MIU11502	BREATHER	1	(SUB FOR LG690956)
23	37H73	SCREW	3	
24	LG690942	STRUCTURAL TUBE	1	ORDER MIU11280
24	MIU14443	TUBE	1	SUB FOR MIU11280
25	LG690937	GASKET	1	
26	MIA10872	BREATHER	1	(SUB FOR LG499601)
27	M142896	SCREW	10	
28	LG691045	CRANK	1	GOVERNOR
29	M142282	BUSHING	2	

<https://www.ebooklibonline.com>

Hello dear friend!

Thank you very much for reading.

Enter the link into your browser.

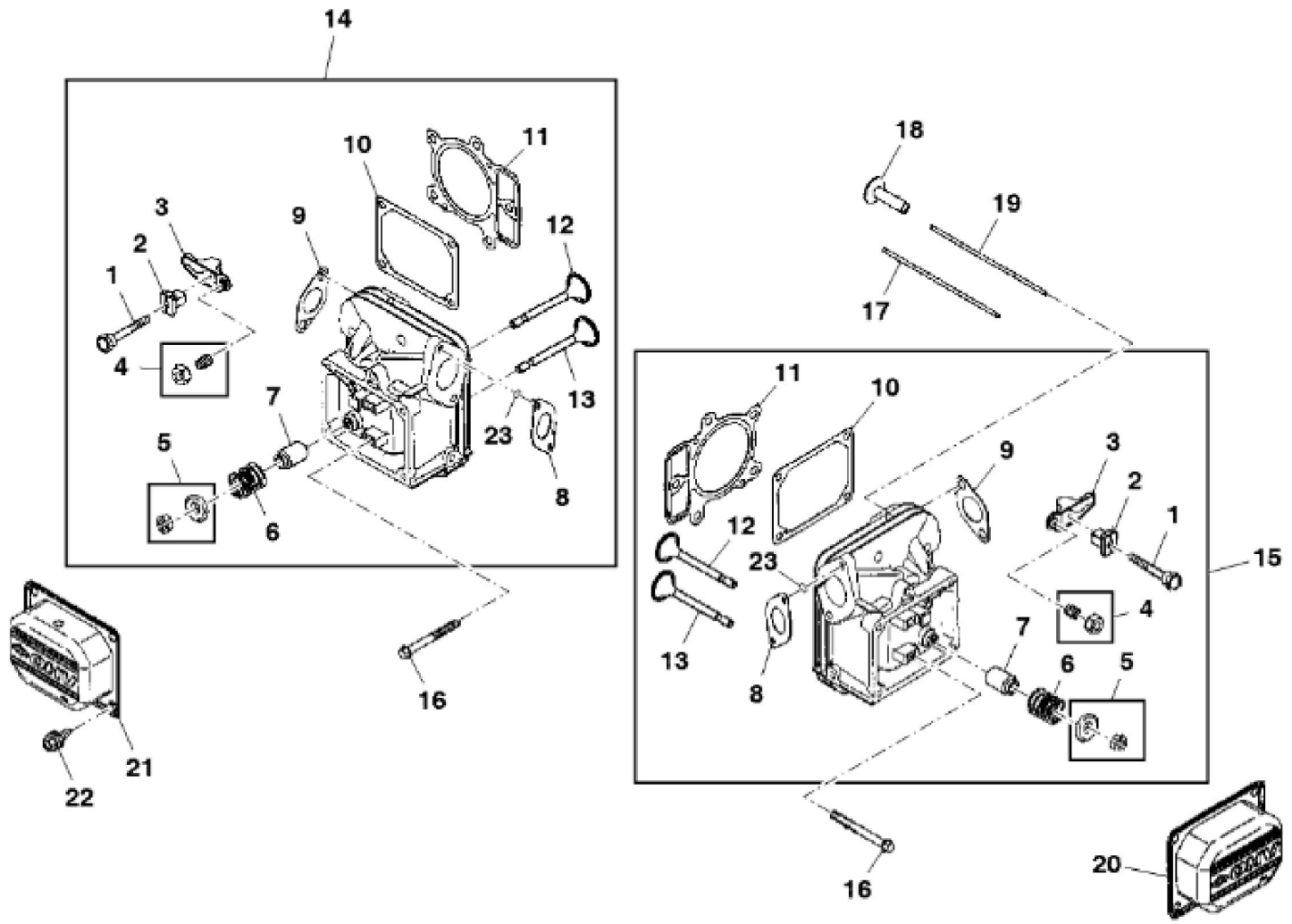
The full manual is available for immediate download.

<https://www.ebooklibonline.com>

KEY	PART NO.	PART NAME	QTY	REMARKS	
30	M142286	RETAINER	1		
31	M142280	WASHER	1		
32	GC00331	SCREW	4	NLA; ORDER GX24210; ENGINE MOUNTING	
32	GX24210	SCREW	4		
33	AM131611	DRAIN PLUG	1		
34	TUBE	1		
35	T77932	O-RING	1		
36	M144897	CAP	1		
..	AM131790	ENGINE	1		

CRANKSHAFT AND PISTON

KEY	PART NO.	PART NAME	QTY	REMARKS
1	MIA11459	CONNECTING ROD	2	(SUB FOR LG499583 OR AM135101)
2	LG690976	SCREW	2	
3	LG691046	CRANKSHAFT	1	
4	26H67	SHAFT KEY	1	1/8" X 3/8"
5	LG690980	GEAR	1	TIMING
6	LG222698S	SHAFT KEY	1	FLYWHEEL
7	LG690978	GEAR	1	CAM
8	MIA11172	OIL PUMP	1	(SUB FOR LG499054)
9	LG691042	SHAFT	1	NLA; ORDER MIA11172
9	MIA11172	OIL PUMP	1	
10	LG499613	COVER	1	
11	LG690589	SEAL	1	
12	LG691033	SCREW	3	ORDER MIU11119; Pump Cover
12	MIU11119	SCREW	3	
13	LG690975	LOCK	2	
14	LG690229	PISTON PIN	2	
15	AM129799	PISTON RING KIT	1	STD, (SUB MIA10996)
15	AM129800	PISTON RING KIT	1	.50 MM (.020") OS
15	MIU11282	PISTON RING KIT	1	(SUB FOR MIU11453)
16	MIA10996	PISTON	2	STD, (SUB FOR AM129798)
16	AM129797	PISTON	2	.50 MM (.020") OS, (NLA)





Suggest:

For more complete manuals. Please go to the home page.

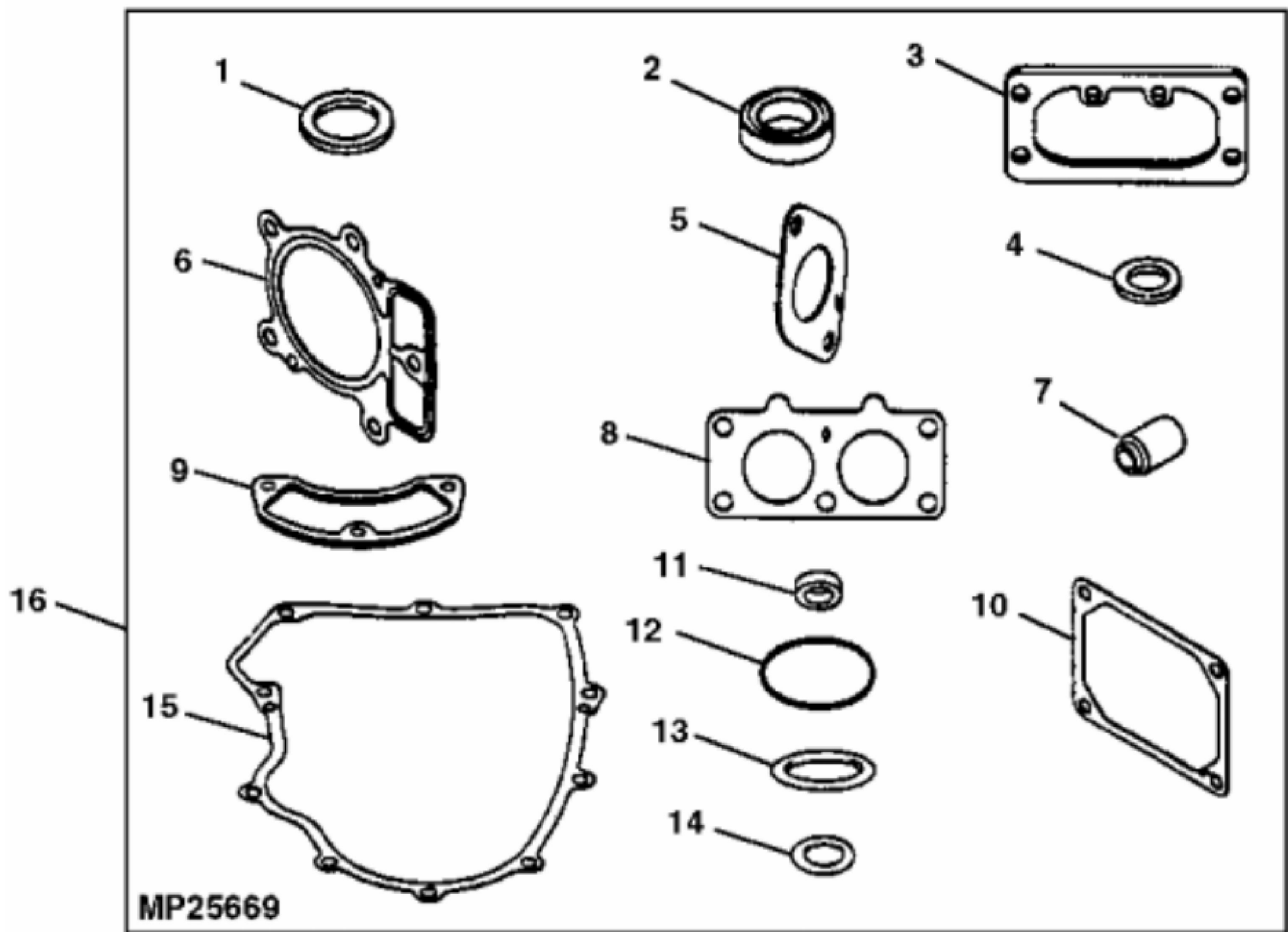
<https://www.ebooklibonline.com>

If the above button click is invalid. Please download this document first, and then click the above link to download the complete manual.

Thank you so much for reading

CYLINDER HEAD

KEY	PART NO.	PART NAME	QTY	REMARKS
1	LG690967	CAP SCREW	1	
2	MIU11035	ROCKER ARM	1	PIVOT, (SUB FOR LG690973)
3	LG690972	ROCKER ARM	1	
4	LG690083	ADJUSTER	1	
5	LG499586	RETAINER	1	(KEEPER)
6	MIU11281	SPRING	2	(SUB FOR LG690963)
6	MIU11281	SPRING	2	(USE WITH MIA11456)
7	LG690968	SEAL	1	(A) VALVE
7	GUIDE	2	VALVE, (ORDER MIA10846 OR MIA10876)
8	LG690949	GASKET	1	INTAKE
9	LG690970	GASKET	1	EXHAUST
10	LG690971	GASKET	1	ROCKER COVER
11	LG690962	ENGINE CYLINDER HEAD GASKET	1	
11	M142274	GASKET	1	(USE WITH MIA11456)
12	MIA10874	INTAKE VALVE	1	(INCLUDES PARTS MARKED (A)) (SUB FOR LG499597 OR AM132835)
13	LG499596	EXHAUST VALVE	1	
13	MIA11171	EXHAUST VALVE	1	(USE WITH MIA11456)
14	MIA10846	CYLINDER HEAD	1	(NO.1) (SUB FOR AM130934)
15	MIA11456	CYLINDER HEAD	1	(NO.2) (SUB FOR M144989 OR MIA10876)
16	LG690360	SCREW	4	
17	LG690981	PUSH ROD	1	EXHAUST (STEEL)
18	LG690977	TAPPET	4	
19	LG690982	PUSH ROD	1	INTAKE (ALUMINUM)
20	LG499600	COVER	1	ROCKER (CYLINDER NO.2)
21	LG499599	COVER	1	ROCKER (CYLINDER NO.1)
22	LG691127	SCREW	8	
23	MIU10608	O-RING	1	NLA; ORDER LG691917
23	LG691917	GASKET	2	



<https://www.ebooklibonline.com>

Hello dear friend!

Thank you very much for reading.

Enter the link into your browser.

The full manual is available for immediate download.

<https://www.ebooklibonline.com>