

PU01597

KEY	PART NO.	PART NAME	QTY	REMARKS
1	UC11104	DIPSTICK	1	SUB FOR LG499602
2	LG691031	O-RING	1	
3	LG691036	DIPSTICK	1	
4	LG691032	SEAL	1	
5	LG691037	OIL TUBE	1	
6	LG691108	SCREW	1	8 X 1/2, USE WITH AM131789
6	37H74	SCREW	1	USE WITH AM128538
6	M153266	SCREW	1	
7	LG391086S	SEAL	1	
8	MIA11778	SEAL KIT	1	(SUB FOR LG499585)
9	LG690959	DOWEL PIN	1	
10	LG690231	CYLINDER BLOCK	1	(ENGINE MARKED 406777-0128-E1, 407777-0027-E1)
10	AM134026	CYLINDER BLOCK	1	(ENGINE MARKED 406777-0139-E1, 406577-0139-E1, 407777-0131-E1)
10	MIA11033	CYLINDER	1	NLA: ORDER MIA12510; (ENGINE MARKED 441577-0113-E1, 445577-0110-E1)
10	MIA13076	CYLINDER	1	SUB FOR MIA12510
11	MIU14436	GASKET	1	SUB FORM150226, LG690945 AND MIU13979
12	LG690770	SCREEN	1	NLA; ORDER MIU12709
12	MIU12140	SCREEN	1	(USE WITH MIA11584)
12	MIU12709	SCREEN	1	
13	LG691680	DRAIN PLUG	1	
13	15H623	PIPE PLUG	1	3/8", USE WITH MIA11584; SUB FOR LG690946
14	LG690954	THREADED NIPPLE	1	
15	15H638	PIPE PLUG	1	1/8"
16	MIU11958	SEAL	1	(SUB FOR LG690947 OR MIU11212)
17	M142284	SEAL	1	NLA; ORDER MIU11284; Governor Crank
17	MIU11284	SEAL	1	(USE WITH MIA11584)
18	MIU12503	BUSHING	1	GOVERNOR CRANK, (SUB FOR M142281)
19	LG690069	RESERVOIR	1	(ENGINE MARKED 406777-0128-E1, 407777-0027-E1)
19	AM134054	RESERVOIR	1	NLA (ENGINE MARKED 406777-0139-E1, 406577-0139-E1, 407777-0131-E1) (SUB MIA11584)
19	MIA11584	RESERVOIR	1	(ALSO INCLUDES MIU12143, MIA11464 AND (3) MIU12142)
20	GY20577	OIL FILTER	1	(NLA) KIT, (W/PACKAGING)

<https://www.ebooklibonline.com>

Hello dear friend!

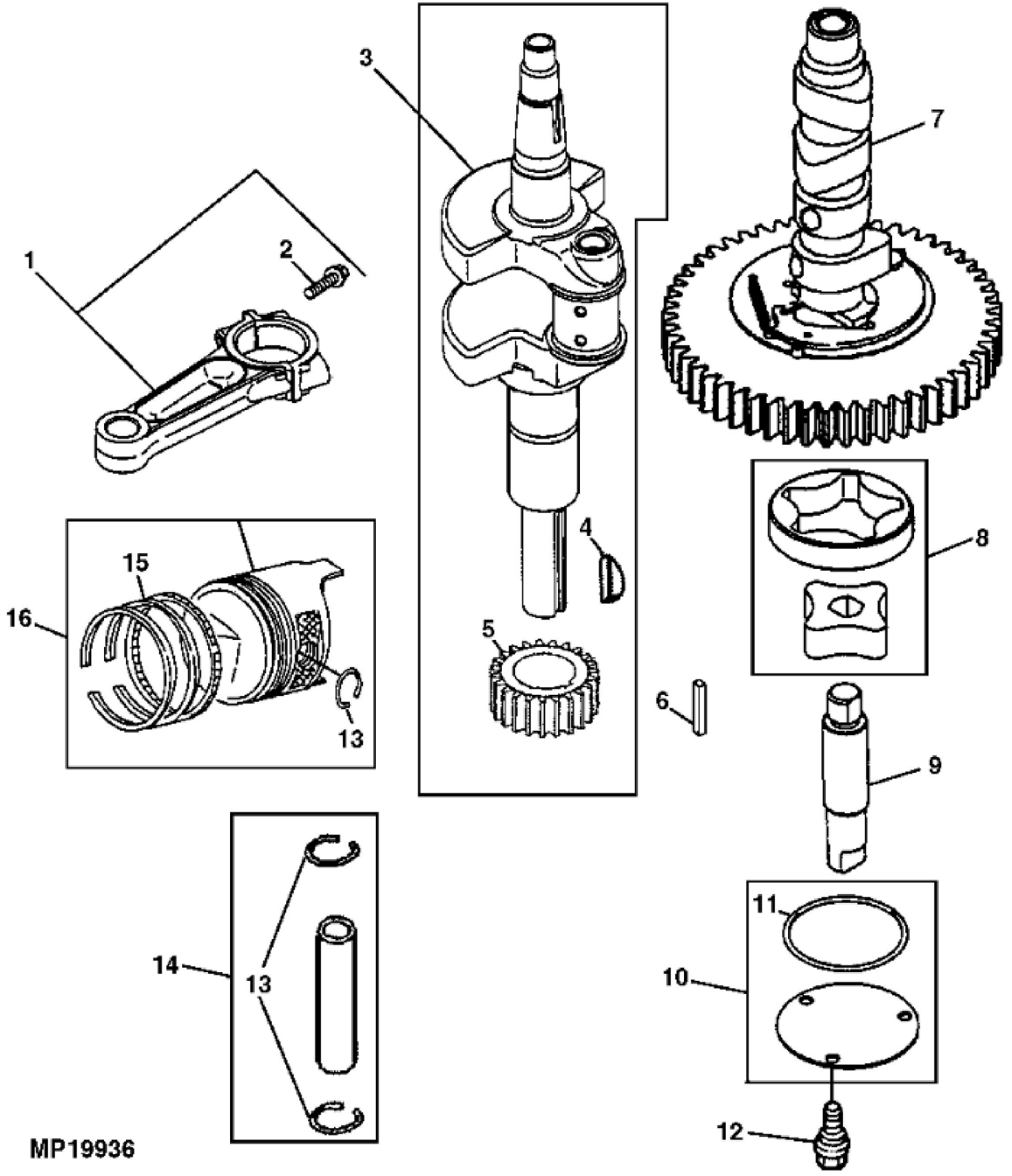
Thank you very much for reading.

Enter the link into your browser.

The full manual is available for immediate download.

<https://www.ebooklibonline.com>

KEY	PART NO.	PART NAME	QTY	REMARKS
20	AM125424	OIL FILTER	1	
21	LG690957	RETAINER	1	
22	MIU11502	BREATHER	1	(SUB FOR LG690956)
23	37H73	SCREW	3	(ENGINE MARKED 406777-0128-E1, 407777-0027-E1)
23	LG691108	SCREW	3	(ENGINE MARKED 406777-0139-E1, 406577-0139-E1, 407777-0131-E1)
24	LG690942	STRUCTURAL TUBE	1	ORDER MIU11280
24	MIU14443	TUBE	1	SUB FOR MIU11280
25	LG690937	GASKET	1	
26	MIA10872	BREATHER	1	(SUB FOR LG499601)
27	M142896	SCREW	10	
28	LG691045	CRANK	1	GOVERNOR
29	M142282	BUSHING	2	
30	M142286	RETAINER	1	
31	M142280	WASHER	1	
32	GC00331	SCREW	4	NLA; ORDER GX24210; ENGINE MOUNTING
32	GX24210	SCREW	4	
33	AM131611	DRAIN PLUG	1	OIL DRAIN
34	TUBE	1	
35	T77932	O-RING	1	
36	M144897	CAP	1	
..	AM131789	GASOLINE ENGINE	1	(MARKED 406777-0128-E1) (SUB AM133843)
..	AM128538	GASOLINE ENGINE	1	(MARKED 407777-0027-E1) (SUB AM133843)
..	AM133843	GASOLINE ENGINE	1	(MARKED 406777-0139-E1) (SUB MIA10361)
..	AM135291	GASOLINE ENGINE	1	(SUB MIA10808) (MARKED 407777-0131-E1)
..	AM134710	GASOLINE ENGINE	1	EXPORT (MARKED 406577-0139-E1) (SUB AM133843)
..	MIA10361	GASOLINE ENGINE	1	MARKED 441577-0113-E1
..	MIA10808	GASOLINE ENGINE	1	NLA; ORDER MIA12234
..	MIA12234	GASOLINE ENGINE	1	NLA; MARKED 445577-0110-E1; ORDER MIA12444
..	MIA12444	GASOLINE ENGINE	1	ORDER MIA12623
..	MIA12623	GASOLINE ENGINE	1	MARKED 44R677-0001-G1



MP19936

KEY	PART NO.	PART NAME	QTY	REMARKS
1	MIA11459	CONNECTING ROD	2	(SUB FOR LG499583 OR AM135101)
2	LG690976	SCREW	2	
3	MIA10376	CRANKSHAFT	1	(ENGINE MARKED 406777-0128-E1, 407777-0027-E1, 406777-0139-E1) (SUB FOR LG691046)
3	AM135083	CRANKSHAFT	1	(ENGINE MARKED 406577-0139-E1, 407777-0131-E1) (SUB MIA11457)
3	MIA11457	CRANKSHAFT	1	(INCLUDES LG690980)
4	26H67	SHAFT KEY	1	1/8" X 3/8", (ENGINE MARKED 406777-0128-E1, 407777-0027-E1)
4	26H4	SHAFT KEY	1	1/8" X 3/8", (ENGINE MARKED 406777-0139-E1, 406577-0139-E1, 407777-0131-E1)
5	LG690980	GEAR	1	TIMING
6	LG222698S	SHAFT KEY	1	FLYWHEEL
7	LG690978	CAMSHAFT	1	(ENGINE MARKED 406777-0128-E1, 407777-0027-E1)
7	M151221	CAMSHAFT	1	(ENGINE MARKED 406777-0139-E1, 406577-0139-E1, 407777-0131-E1, 445577-0110-E1)
7	MIA11789	CAMSHAFT	1	USE WITH MIA12234
8	MIA11172	OIL PUMP	1	(SUB FOR LG499054)
8	MIU12143	OIL PUMP	1	(USE WITH MIA11584)
9	LG691042	SHAFT	1	NLA; ORDER MIA11172
9	MIA11172	OIL PUMP	1	
10	LG499613	COVER	1	
10	MIA11464	COVER	1	USE WITH MIA11584
11	LG690589	SEAL	1	
11	MIU12153	SEAL	1	USE WITH MIA11584
12	LG691033	SCREW	3	ENGINE MARKED 406777-0128-E1, 407777-0027-E1; ORDER MIU11119
12	MIU11119	SCREW	3	ENGINE MARKED 406777-0128-E1, 407777-0027-E1
12	M151228	SCREW	3	ENGINE MARKED 406777-0139-E1, 406577-0139-E1, 407777-0131-E1
12	MIU12142	SCREW	3	USE WITH MIU12143
13	LG690975	LOCK	2	
14	LG690229	PISTON PIN	2	
15	LG499604	PISTON RING KIT	2	STD, (USE WITH LG499588)
15	LG499606	PISTON RING KIT	1	.50 MM (.020") OS, (SUB MIA11102)



Suggest:

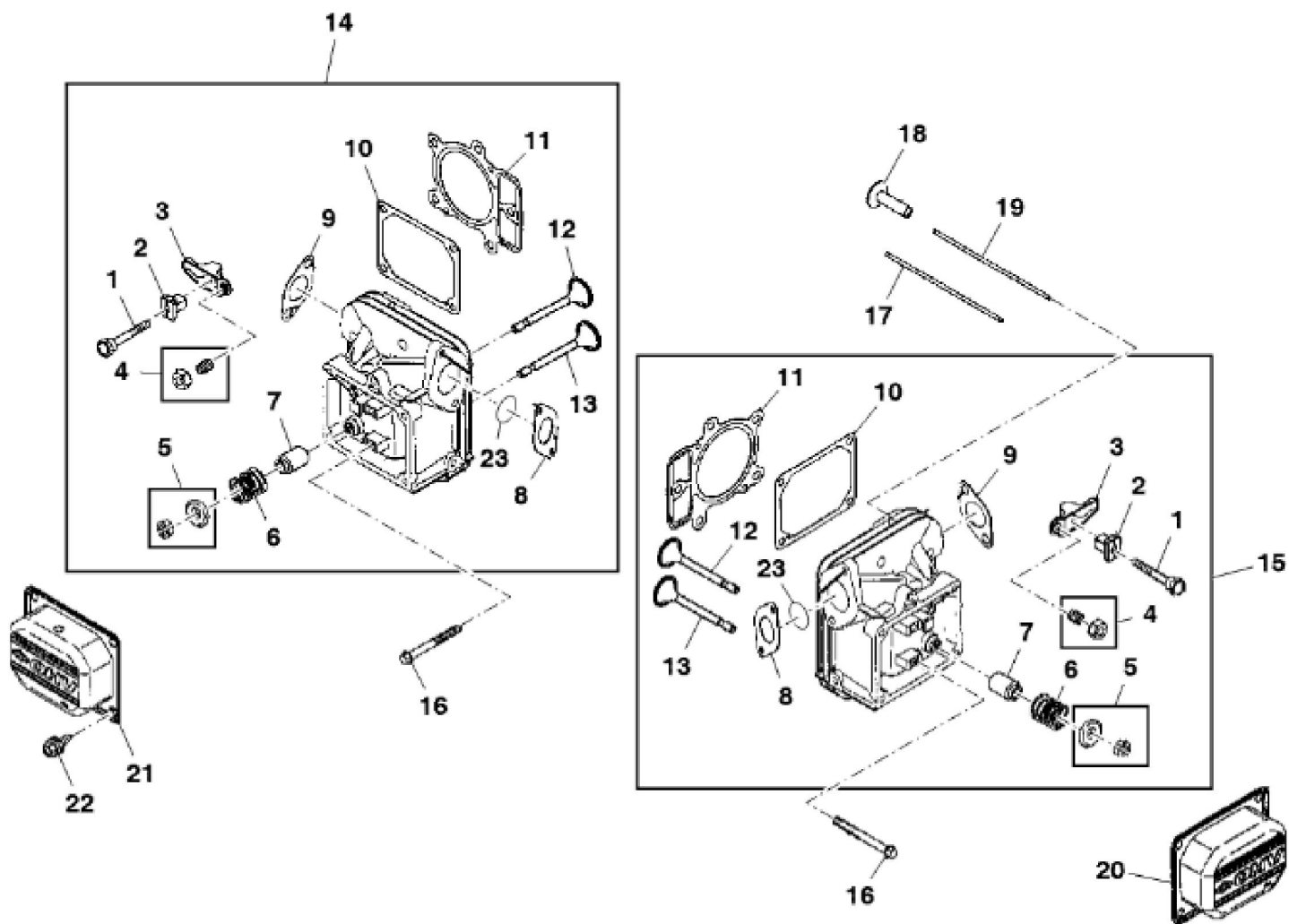
For more complete manuals. Please go to the home page.

<https://www.ebooklibonline.com>

If the above button click is invalid. Please download this document first, and then click the above link to download the complete manual.

Thank you so much for reading

KEY	PART NO.	PART NAME	QTY	REMARKS
15	MIU12013	PISTON RING KIT	1	STD, (USE WITH MIA11346) (SUB FOR MIU12180)
15	MIU11282	PISTON RING KIT	1	(SUB FOR MIU11453)
15	MIU11282	PISTON RING KIT	1	(USE WITH MIA10877)
15	MIU11283	PISTON RING KIT	1	(USE WITH MIA10878)
16	MIA11346	PISTON REPLACEMENT KIT	2	STD, (SUB FOR LG499588)
16	LG499590	PISTON REPLACEMENT KIT	2	.50 MM (.020") OS, NLA; ORDER MIA11102
16	MIA10996	PISTON	2	(USE WITH MIA10361)
16	MIA10877	PISTON	2	STD (ENGINE MARKED 445577-0110-E1)
16	MIA10878	PISTON	2	.50 MM (.20") OS, (ENGINE MARKED 445577-0110-E1)
..	MIA11102	PISTON REPLACEMENT KIT	2	.50 MM (.020") OS, (INCLUDES PISTON, RINGS AND LOCK)



<https://www.ebooklibonline.com>

Hello dear friend!

Thank you very much for reading.

Enter the link into your browser.

The full manual is available for immediate download.

<https://www.ebooklibonline.com>