

PU01597

KEY	PART NO.	PART NAME	QTY	REMARKS
1	UC11104	DIPSTICK	1	SUB FOR LG499602
2	LG691031	O-RING	1	
3	LG691036	DIPSTICK	1	
4	LG691032	SEAL	1	
5	LG691037	OIL TUBE	1	
6	LG691108	SCREW	1	USE WITH AM134710
6	37H74	SCREW	1	USE WITH AM133843
6	M153266	SCREW	1	
7	LG391086S	SEAL	1	
8	MIA11778	SEAL KIT	1	(SUB FOR LG499585)
9	LG690959	DOWEL PIN	1	
10	AM134026	CYLINDER	1	
10	MIA11033	CYLINDER	1	NLA; ORDER MIA12510; (ENGINE MARKED 441577-0113-E1, 445577-0110-E1)
10	MIA13076	CYLINDER	1	SUB FOR MIA12510
11	MIU14436	GASKET	1	SUB FOR M150226 AND MIU13979
12	LG690770	SCREEN	1	
12	MIU12140	SCREEN	1	(USE WITH MIA11584)
13	LG690946	DRAIN PLUG	1	NLA; ORDER 15H623 (USE WITH MIA11584)
13	15H623	PIPE PLUG	1	3/8"
13	LG691680	DRAIN PLUG	1	FLUSH FIT
14	LG690954	THREADED NIPPLE	1	
15	15H638	PIPE PLUG	1	1/8"
16	MIU11958	SEAL	1	(SUB FOR LG690947 OR MIU11212)
17	M142284	SEAL	1	NLA; ORDER MIU11284; Governor Shaft
17	MIU11284	SEAL	1	(USE WITH MIA11584)
18	MIU12503	BUSHING	1	GOVERNOR CRANK, (SUB FOR M142281)
19	AM134054	RESERVOIR	1	NLA, (SUB MIA11584)
19	MIA11584	RESERVOIR	1	(ALSO INCLUDES MIU12143, MIA11464 AND (3) MIU12142)
20	GY20577	OIL FILTER	1	(NLA) KIT, (W/PACKAGING)
20	AM125424	OIL FILTER	1	
21	LG690957	RETAINER	1	
22	MIU11502	BREATHER	1	(SUB FOR LG690956)
23	LG691108	SCREW	3	8 X 1/2

<https://www.ebooklibonline.com>

Hello dear friend!

Thank you very much for reading.

Enter the link into your browser.

The full manual is available for immediate download.

<https://www.ebooklibonline.com>

KEY	PART NO.	PART NAME	QTY	REMARKS
24	LG690942	STRUCTURAL TUBE	1	ORDER MIU11280
24	MIU14443	TUBE	1	SUB FOR MIU11280
25	LG690937	GASKET	1	
26	MIA10872	BREATHER	1	(SUB FOR LG499601)
27	M142896	SCREW	10	
28	LG691045	CRANK	1	GOVERNOR
29	M142282	BUSHING	2	
30	M142286	RETAINER	1	
31	M142280	WASHER	1	
32	GX24210	SCREW	4	SUB FOR GC00331; ENGINE MOUNTING
33	AM131611	DRAIN PLUG	1	OIL DRAIN
34	TUBE	1	
35	T77932	O-RING	1	
36	M144897	CAP	1	
..	AM134710	GASOLINE ENGINE	1	(MARKED 406577-0139-E1) (SUB AM133843)
..	AM133843	GASOLINE ENGINE	1	(MARKED 406777-0139-E1) (SUB MIA10361)
..	AM135291	GASOLINE ENGINE	1	(MARKED 407777-0131-E1) (SUB MIA10808)
..	AM135086	LABEL KIT	1	(ENGINE MARKED 406577-0139-E1)
..	MIA10361	GASOLINE ENGINE	1	(MARKED 441577-0113-E1)
..	MIA10808	GASOLINE ENGINE	1	NLA; ORDER MIA12234
..	MIA12234	GASOLINE ENGINE	1	NLA; MARKED 445577-0110-E1; ORDER MIA12444
..	MIA12444	GASOLINE ENGINE	1	NLA; ORDER MIA12623; MARKED 445577-0110-E1
..	MIA12623	GASOLINE ENGINE	1	MARKED 44R677-0001-G1



Suggest:

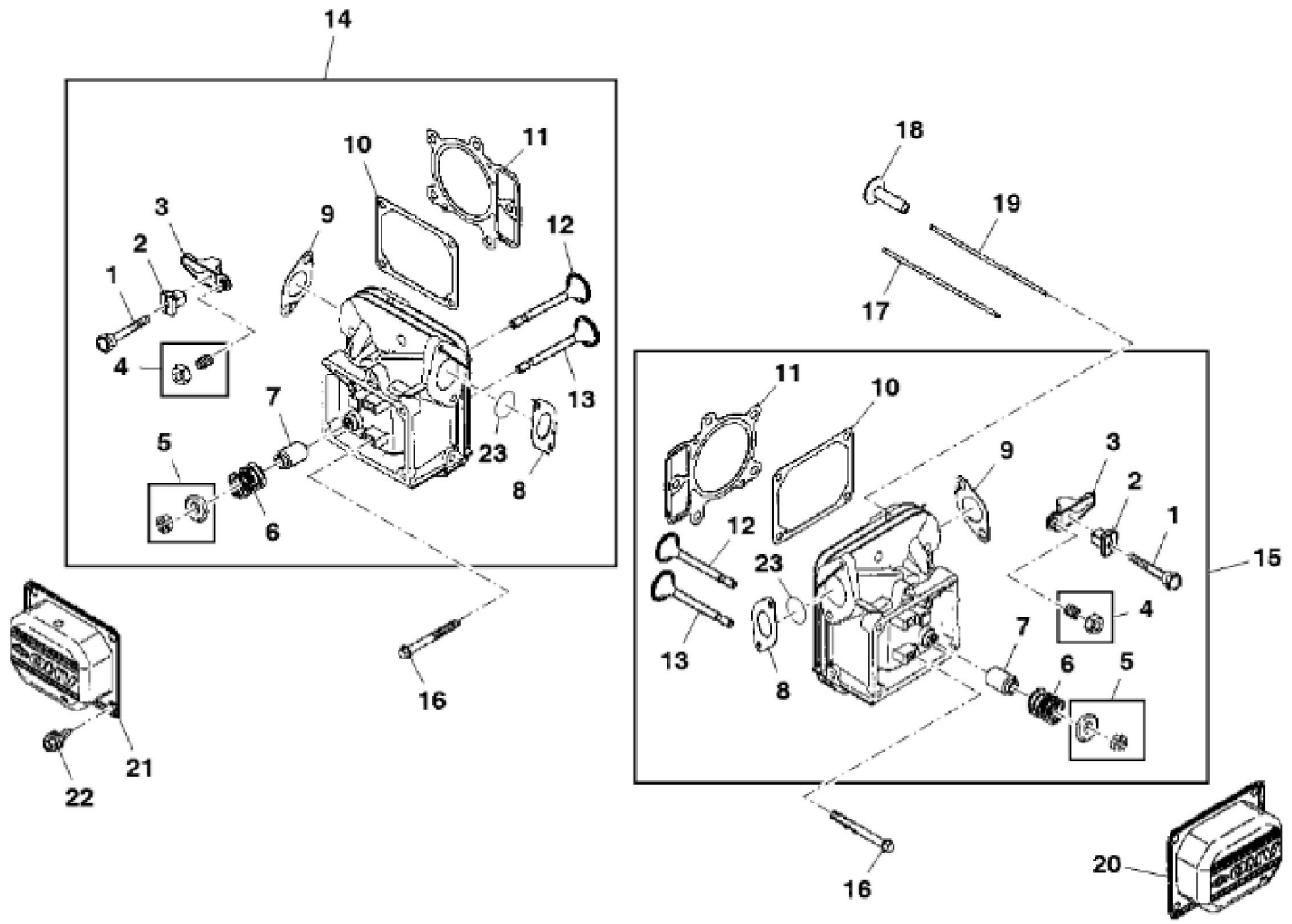
For more complete manuals. Please go to the home page.

<https://www.ebooklibonline.com>

If the above button click is invalid. Please download this document first, and then click the above link to download the complete manual.

Thank you so much for reading

KEY	PART NO.	PART NAME	QTY	REMARKS
1	MIA11459	CONNECTING ROD	2	(SUB FOR LG499583 OR AM135101)
2	LG690976	SCREW	2	
3	MIA10376	CRANKSHAFT	1	(ENGINE MARKED 406777-0139-E1) (SUB FOR LG691046)
3	AM135083	CRANKSHAFT	1	(ENGINE MARKED 406577-0139-E1, 407777-0131-E1) (SUB MIA11457)
3	MIA11457	CRANKSHAFT	1	(INCLUDES LG690980)
4	26H67	SHAFT KEY	1	1/8" X 3/8", (SUB FOR 26H4)
5	LG690980	GEAR	1	TIMING
6	LG222698S	SHAFT KEY	1	FLYWHEEL
7	M151221	SHAFT	1	CAM
7	MIA11789	CAMSHAFT	1	USE WITH MIA12234
8	MIA11172	OIL PUMP	1	(SUB FOR LG499054)
8	MIU12143	OIL PUMP	1	(USE WITH MIA11584)
9	LG691042	SHAFT	1	NLA; ORDER MIA11172
9	MIA11172	OIL PUMP	1	
10	LG499613	COVER	1	
10	MIA11464	COVER	1	(USE WITH MIA11584)
11	LG690589	SEAL	1	
11	MIU12153	SEAL	1	(USE WITH MIA11584)
12	M151228	SCREW	3	
12	MIU12142	SCREW	3	(USE WITH MIU12143)
13	LG690975	LOCK	2	
14	LG690229	PISTON PIN	2	
15	LG499604	PISTON RING KIT	2	STD, (USE WITH LG499588)
15	LG499606	PISTON RING KIT	1	.50 MM (.020") OS, (SUB MIA11102)
15	MIU12013	PISTON RING KIT	1	STD, (USE WITH MIA11346) (SUB FOR MIU12180)
15	MIU11282	PISTON RING KIT	1	(SUB FOR MIU11453)
15	MIU11282	PISTON RING KIT	1	(USE WITH MIA10877)
15	MIU11283	PISTON RING KIT	1	(USE WITH MIA10878)
16	MIA11346	PISTON REPLACEMENT KIT	2	STD, (SUB FOR LG499588)
16	LG499590	PISTON REPLACEMENT KIT	2	.50 MM (.020") OS, NLA; ORDER MIA11102
16	MIA10996	PISTON	2	(USE WITH MIA10361)
16	MIA10877	PISTON	2	STD (ENGINE MARKED 445577-0110-E1)
16	MIA10878	PISTON	2	.50 MM (.020") OS, (ENGINE MARKED 445577-0110-E1)
..	MIA11102	PISTON REPLACEMENT KIT	2	.50 MM (.020") OS, (INCLUDES PISTON, RINGS AND LOCK)



<https://www.ebooklibonline.com>

Hello dear friend!

Thank you very much for reading.

Enter the link into your browser.

The full manual is available for immediate download.

<https://www.ebooklibonline.com>