

KEY	PART NO.	PART NAME	QTY	REMARKS
1	M147493	SCREEN	1	(SUB MIU11503)
2	37H43	SCREW	4	(ENGINE MARKED 284H07-0111E, 285H07-0026-E1)
2	M152566	SCREW	4	(ENGINE MARKED 284H07-0131-E1, 280J07-0120-E1)
3	LG690582	WASHER	1	(ENGINE MARKED 284H07-0111E, 285H07-0026-E1)
4	LG691058	BOLT	2	(ENGINE MARKED 284H07-0111E, 285H07-0026-E1)
4	MIU12152	BOLT	2	(ENGINE MARKED 284H07-0131-E1, 280J07-0120-E1) (SUB FOR LG690372) (USE WITH MIA11630)
5	LG690452	RETAINER	1	(ENGINE MARKED 284H07-0111E, 285H07-0026-E1)
6	M147494	FAN	1	(ENGINE MARKED 284H07-0111E, 285H07-0026-E1)
6	MIU11503	FAN	1	NLA (ENGINE MARKED 284H07-0131-E1, 280J07-0120-E1) (SUB FOR M152561) (SUB MIA11519)
7	AM132343	FLYWHEEL	1	ORDER AUC10649; ALSO ORDER MIU13972
7	AM135134	FLYWHEEL	1	(USE WITH MIA11630)
7	AUC10649	FLYWHEEL	1	
8	LG691265	SNAP RING	1	
9	LG693713	GEAR	1	STARTER
10	M147508	SCREW	2	
11	MIU11682	TUBE	1	BREATHER, (SUB FOR M147499)
12	M147500	COVER	1	NLA, ORDER MIU11631
12	MIU11631	COVER	1	BREATHER PASSAGE, (USE WITH MIA11630)
13	M147564	GASKET	1	
14	M147507	SCREW	2	
15	M147501	VALVE	1	BREATHER
16	AM132344	CYLINDER BLOCK	1	
16	MIA11419	CYLINDER	1	(USE WITH MIA11630)
17	LG399265	BEARING	1	NLA; ORDER MIA11778; Bushing W/Seal
17	MIA11778	SEAL KIT	1	Bushing W/Seal
18	LG391086S	SEAL	1	(MAGNETO SIDE)
19	LG690959	DOWEL PIN	1	
19	LG690959	DOWEL PIN	2	(USE WITH MIA11630)
20	M147497	BUSHING	1	GOVERNOR
21	LG692407	SEAL	1	GOVERNOR
22	M147513	GASKET	1	
23	MIU11958	SEAL	1	PTO SIDE, (SUB FOR LG690947 OR MIU11212)
24	AM132352	RESERVOIR	1	

**<https://www.ebooklibonline.com>**

Hello dear friend!

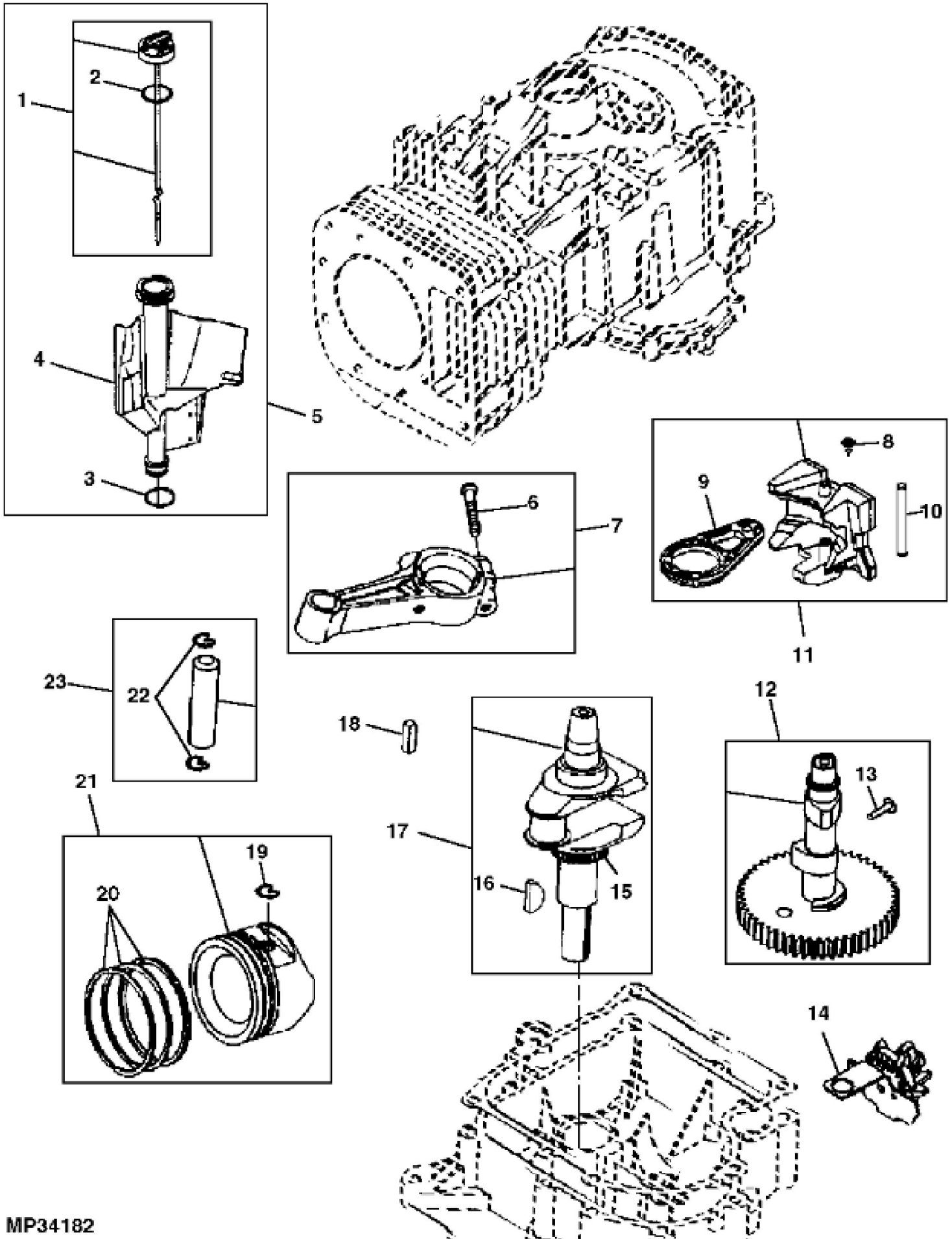
Thank you very much for reading.

Enter the link into your browser.

The full manual is available for immediate download.

**<https://www.ebooklibonline.com>**

KEY	PART NO.	PART NAME	QTY	REMARKS
25	AM131611	TUBE	1	OIL DRAIN
26	.....	OIL TUBE	1	
27	T77932	O-RING	1	
28	M144897	CAP	1	
29	GC00331	BOLT	4	NLA; ORDER GX24210; Engine Mounting
29	GX24210	SCREW	4	
30	LG692125	CAP SCREW	12	
31	15H623	DRAIN PLUG	1	3/8", (SUB FOR LG690946)
32	M153303	SCREW	1	
33	MIU11635	PLUG	1	(A)
34	MIA13017	SCREEN KIT	1	(A) SUB FOR MIU11634 AND MIA11525
35	MIU11638	SCREW	2	(A)
36	MIU12139	FAN	1	(A)
37	PM37469	LIQUID GASKET	AR	TUBE
38	MIU13972	KEY	1	USE WITH AUC10649
..	AM133097	GASOLINE ENGINE	1	(MARKED 284H07-0111E) (SUB AM133286) (WHEN USING AM133286 TO SERVICE AM133097, TRANSFER 6 PIN HARNESS, GOVERNOR SPRING, MUFFLER-DEFLECTOR AND GOVERNOR IDLE CONTROLS AND ADJUST RPM TO 2950)
..	AM133286	GASOLINE ENGINE	1	(MARKED 285H07-0026-E1)
..	AM134684	GASOLINE ENGINE	1	(MARKED 284H07-0131-E1) (SUB MIA10357)
..	MIA10357	GASOLINE ENGINE	1	(MARKED 280J07-0120-E1) (SUB MIA11630)
..	MIA11519	FLYWHEEL KIT	1	(INCLUDES PARTS MARKED (A))
..	MIA11630	GASOLINE ENGINE	1	(MARKED 31P707-0149-B1) (SUB MIA11888)



KEY	PART NO.	PART NAME	QTY	REMARKS	
1	AM135145	DIPSTICK	1		
2	LG691031	O-RING	1		
3	LG691032	SEAL	1		
4	M152554	DIPSTICK TUBE	1		
5	AM135144	DIPSTICK TUBE	1	(SUB FOR AM132353)	
6	MIU11051	SCREW	2	(SUB FOR LG692852)	
7	MIA10624	ROD	1	(SUB FOR AM132346)	
7	MIA11424	CONNECTING ROD	1	STD, (USE WITH MIA11630)	
8	MIU11437	PLUG	1		
9	MIU11436	LINK	1	(SUB FOR M152555)	
10	M152556	PIN	1		
11	MIA10989	COUNTERWEIGHT	1	(SUB FOR AM132354)	
12	AM135141	CAMSHAFT	1	(SUB FOR AM132350 OR M150105) (INCLUDES M148242)	
12	MIA11377	CAMSHAFT	1	(USE WITH MIA11630)	
13	LG690564	TAPPET	2		
14	LG691968	OIL SLINGER	1	(GOVERNOR GEAR)	
15	M147512	GEAR	1	TIMING	
16	LG691639	KEY	1		
17	MIA11844	CRANKSHAFT	1	(SUB FOR AM132351)	
18	LG222698S	SHAFT KEY	1	FLYWHEEL	
19	M152553	LOCK	1		
20	M147510	PISTON RING KIT	2	(NLA) STD, (SUB MIA11501)	
20	M147511	PISTON RING KIT	1	.50 MM (.020") OS	
20	AM135127	RING KIT	1	NLA; .020 OS	
20	AM135126	PISTON RING KIT	1	(ENGINE MARKED 280J07-0120-E1); STD	
20	MIU12189	RING KIT	1	NLA; ORDER MIU14357; STD	
20	MIU14357	RING KIT	1		
20	MIA10691	PISTON RING KIT	1	STD, (USE WITH MIA11421)	
20	MIU11639	PISTON RING KIT	1	(.020") OS, (USE WITH MIA11430)	
21	MIA11501	PISTON REPLACEMENT KIT	1	STD, (SUB FOR AM132348) (INCLUDES MIU12189)	
21	AM132349	PISTON REPLACEMENT KIT	1	.50 MM (.020") OS, (NLA)	
21	AM135125	PISTON	1	NLA; 0.02 OS	
21	AM135124	PISTON REPLACEMENT KIT	1	(ENGINE MARKED 280J07-0120-E1); STD	
21	MIA11421	PISTON	1	STD, (USE WITH MIA11630)	
21	MIA11430	PISTON	1	.020" OS, (USE WITH MIA11630)	



**Suggest:**

**For more complete manuals. Please go to the home page.**

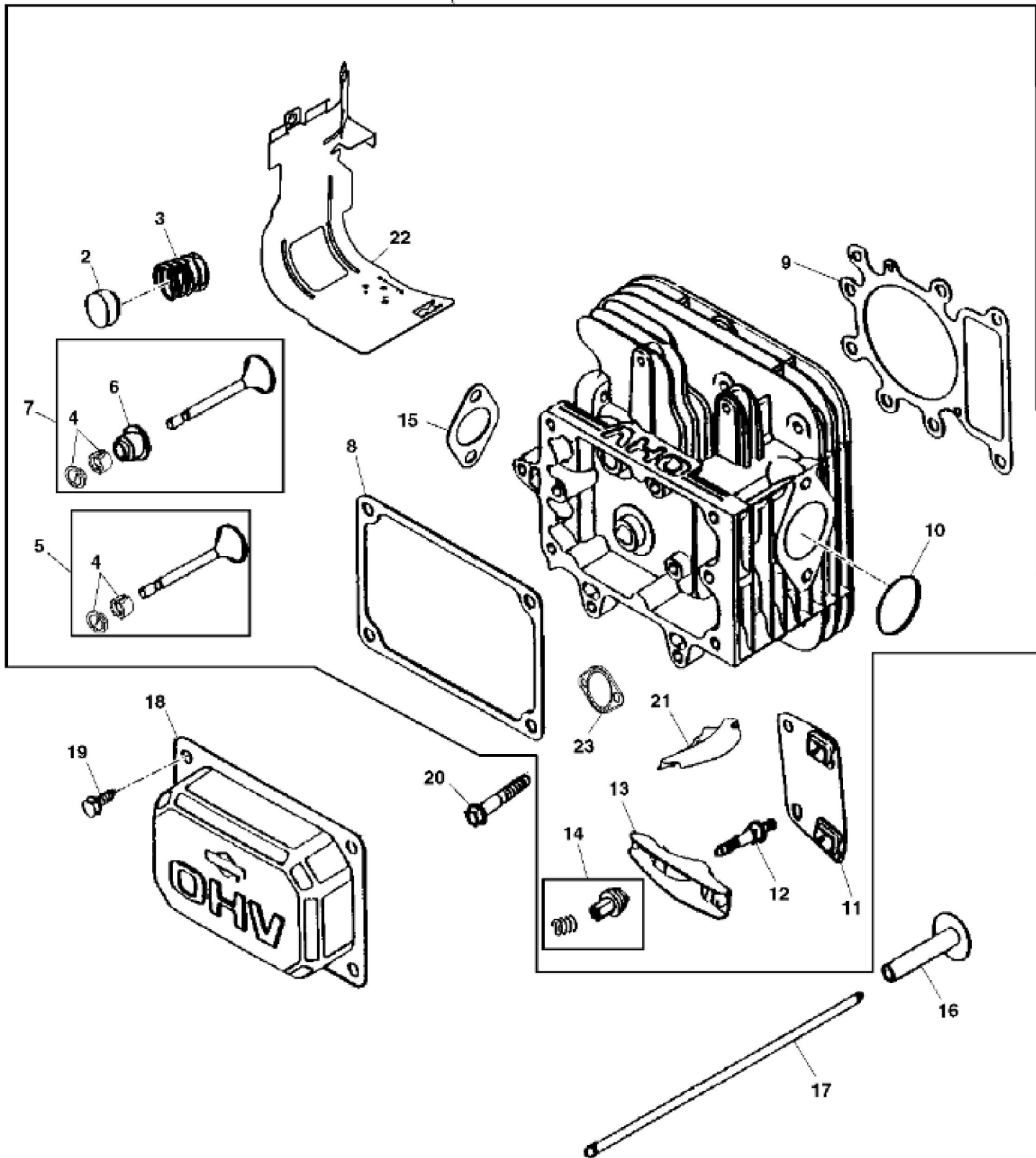
**<https://www.ebooklibonline.com>**

**If the above button click is invalid. Please download this document first, and then click the above link to download the complete manual.**

**Thank you so much for reading**

KEY	PART NO.	PART NAME	QTY	REMARKS	
22	M152553	LOCK	2	(SUB FOR M147509)	
23	AM132347	PISTON PIN	1		
23	MIA11423	PISTON PIN	1	(USE WITH MIA11630)	
..	M148242	SHAFT	1	(NLA) (ENGINE MARKED 280J07-0120-E1) (SUB MIA11172)	

1



**<https://www.ebooklibonline.com>**

Hello dear friend!

Thank you very much for reading.

Enter the link into your browser.

The full manual is available for immediate download.

**<https://www.ebooklibonline.com>**