

KEY	PART NO.	PART NAME	QTY	REMARKS
1	M147493	SCREEN	1	(SUB MIU11503)
2	37H43	SCREW	4	(ENGINE MARKED 31F707-0112-E1, 31F707-0112-E3, 31F707-0114-E1)
2	M152566	SCREW	4	(ENGINE MARKED 31F707-0129-E1, 31F707-0132-E1, 31P707-0124-E1)
3	LG690582	WASHER	1	
4	LG691058	BOLT	2	(ENGINE MARKED 31F707-0112-E1, 31F707-0112-E3, 31F707-0114-E1, 31F707-0129-E1)
4	MIU12152	SCREW	2	(ENGINE MARKED 31F707-0132-E1, 31P707-0124-E1) (SUB FOR LG690372)
5	LG690452	RETAINER	1	
6	M147494	FAN	1	(ENGINE MARKED 31F707-0112-E1, 31F707-0112-E3, 31F707-0114-E1)
6	MIU11503	FAN	1	(NLA) (ENGINE MARKED 31F707-0129-E1, 31F707-0132-E1, 31P707-0124-E1) (SUB FOR M152561) (SUB MIA11519)
7	AM132343	FLYWHEEL	1	ENGINE MARKED 31F707-0112-E1, 31F707-0112-E3, 31F707-0114-E1, 31F707-0129-E1; ORDER AUC10649; ALSO ORDER MIU13972
7	AM135134	FLYWHEEL	1	(ENGINE MARKED 31F707-0132-E1, 31P707-0124-E1)
7	AUC10649	FLYWHEEL	1	
8	LG691265	SNAP RING	1	
9	LG693713	PINION	1	STARTER
10	M147508	SCREW	2	
11	MIU11682	TUBE	1	BREATHER, (SUB FOR M147499)
12	M147500	COVER	1	NLA, ORDERMIU11631
12	MIU11631	COVER	1	
13	M147564	GASKET	1	
14	M147507	SCREW	2	
15	M147501	BREATHER	1	REED
16	MIA11419	CYLINDER BLOCK	1	(SUB FOR AM132374 OR MIA11101)
17	LG399265	BEARING	1	NLA; ORDER MIA11778; Bushing W/Seal
17	MIA11778	SEAL KIT	1	Bushing W/Seal
18	LG391086S	SEAL	1	(MAGNETO SIDE)
19	LG690959	DOWEL PIN	1	

<https://www.ebooklibonline.com>

Hello dear friend!

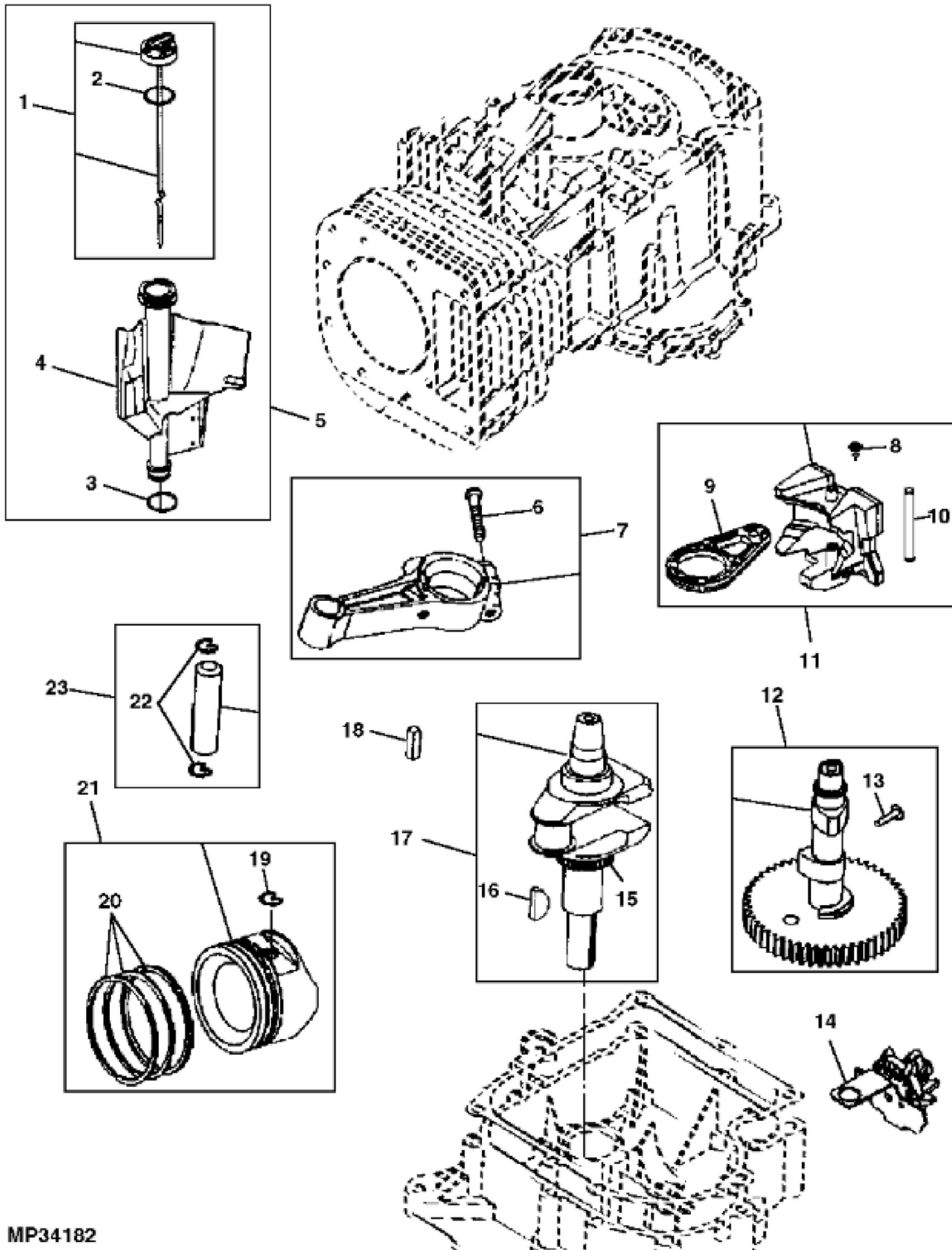
Thank you very much for reading.

Enter the link into your browser.

The full manual is available for immediate download.

<https://www.ebooklibonline.com>

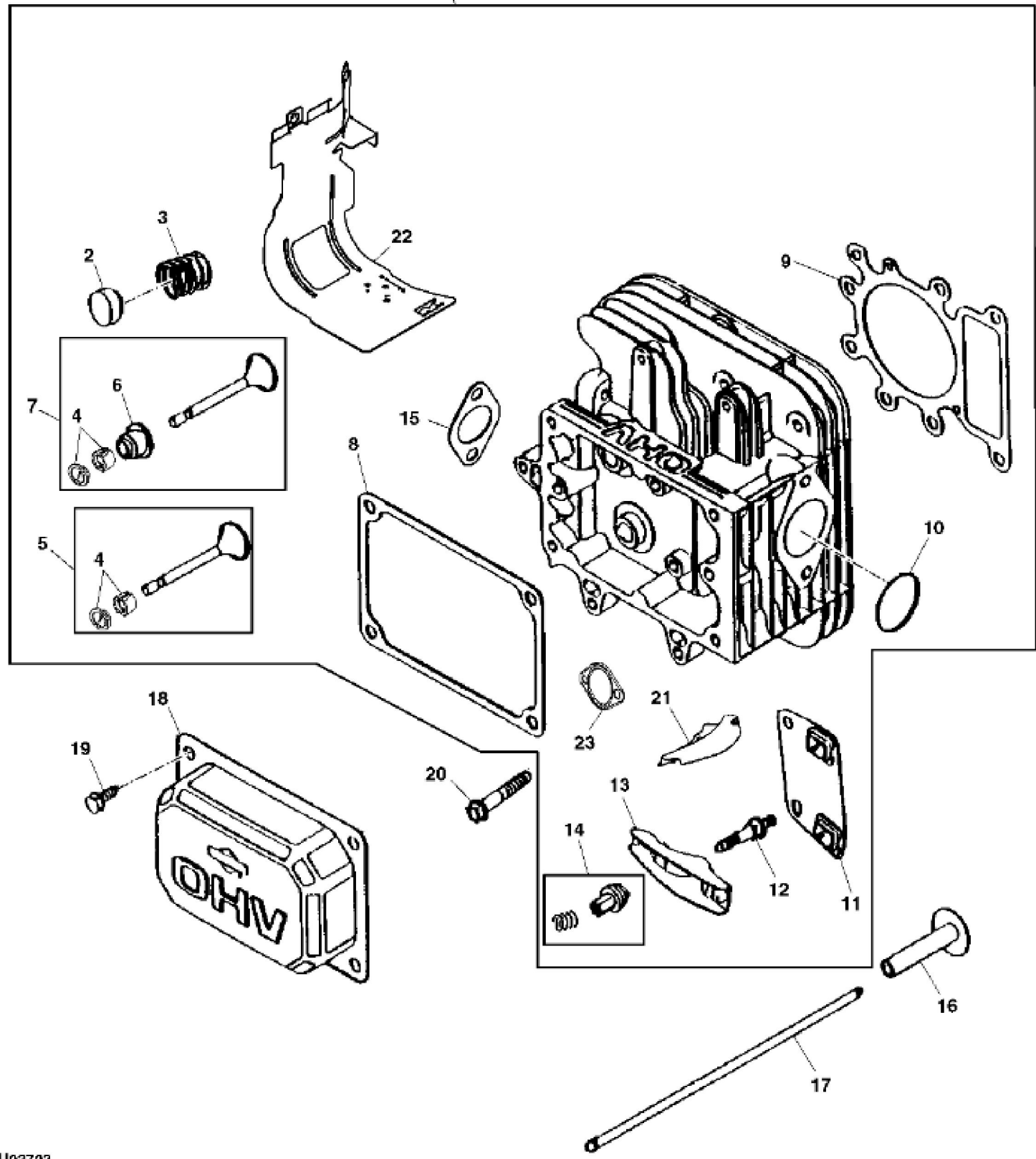
KEY	PART NO.	PART NAME	QTY	REMARKS
20	M147497	BUSHING	1	GOVERNOR
21	LG692407	SEAL	1	GOVERNOR
22	M147513	GASKET	1	
23	MIU11958	SEAL	1	PTO SIDE, (SUB FOR LG690947 OR MIU11212)
24	AM132352	RESERVOIR	1	
25	AM131611	TUBE	1	OIL DRAIN
26	OIL TUBE	1	
27	T77932	O-RING	1	
28	M144897	CAP	1	
29	GC00331	BOLT	4	NLA; ORDER GX24210; Engine Mounting
29	GX24210	SCREW	4	
30	LG692125	CAP SCREW	12	
31	15H623	PIPE PLUG	1	3/8", (SUB FOR LG690946)
32	M153303	SCREW	1	
33	MIU11635	PLUG	1	(A)
34	MIA13017	SCREEN KIT	1	(A) SUB FOR MIU11634 AND MIA11525
35	MIU11638	SCREW	2	(A)
36	MIU12139	FLYWHEEL	1	(A) FAN
37	LG690954	THREADED NIPPLE	1	
38	AM125424	OIL FILTER	1	SUB FOR MIU11439
39	MIU13972	KEY	1	USE WITH AUC10649
..	AM131774	GASOLINE ENGINE	1	MARKED 31F707-0112-E1; ORDER MIA13106
..	AM133767	GASOLINE ENGINE	1	MARKED 31F707-0112-E3; ORDER MIA13106
..	AM133098	GASOLINE ENGINE	1	MARKED 31F707-0114-E1; ORDER MIA13106
..	AM134703	GASOLINE ENGINE	1	MARKED 31F707-0129-E1; ORDER MIA13106
..	MIA10359	GASOLINE ENGINE	1	MARKED 31F707-0132-E1; ORDER MIA13106
..	MIA11015	GASOLINE ENGINE	1	MARKED 31P677-0134-G1; ORDER MIA13106; SUB FOR MIA10805
..	MIA13106	GASOLINE ENGINE	1	MARKED 33R877-0025-G1
..	MIA11519	FLYWHEEL KIT	1	(INCLUDES PARTS MARKED (A))



KEY	PART NO.	PART NAME	QTY	REMARKS
1	AM135145	DIPSTICK	1	
2	LG691031	O-RING	1	
3	LG691032	SEAL	1	
4	M152554	DIPSTICK TUBE	1	
5	AM135144	DIPSTICK TUBE	1	(SUB FOR AM132353)
6	MIU11051	SCREW	1	(SUB FOR LG692852)
7	MIA10624	ROD	1	(SUB FOR AM132346)
8	MIU11437	PLUG	1	
9	MIU11436	LINK	1	(SUB FOR M152555)
10	M152556	PIN	1	
11	MIA10989	COUNTERWEIGHT	1	(SUB FOR AM132354)
12	AM135141	CAMSHAFT	1	(ENGINE MARKED 31F707-0112-E1, 31F707-0112-E3, 31F707-0114-E1, 31F707-0129-E1, 31F707-0132-E1) (SUB FOR LG693450 OR M150105)
12	MIA11377	CAMSHAFT	1	(ENGINE MARKED 31P707-0124-E1) (SUB FOR MIA10915)
13	LG690564	TAPPET	2	
14	LG691968	GEAR	1	GOVERNOR
15	M147512	GEAR	1	TIMING
16	LG691639	SHAFT KEY	1	
17	MIA11844	CRANKSHAFT	1	(SUB FOR AM132351)
18	LG222698S	SHAFT KEY	1	FLYWHEEL
19	M152553	LOCK	1	(SUB FOR M147509)
20	MIA10691	PISTON RING KIT	1	STD (ENGINE MARKED 31F707-0112-E1, 31F707-0112-E3, 31F707-0114-E1, 31F707-0129-E1, 31F707-0132-E1)SUB FOR M150897; SUB FOR M147570; USE WITH AM134715
20	MIU11639	PISTON RING KIT	1	.50 MM (.020") OS, (ENGINE MARKED 31P707-0124-E1) (SUB FOR MIA10692 OR M147571)
21	MIA11421	PISTON	1	STD, (SUB FOR AM132375 OR MIA10844 OR AM134715 OR MIA10981 OR MIA10690)
21	AM132376	PISTON	1	.50 MM (.020") OS, (ENGINE MARKED 31F707-0112-E1, 31F707-0112-E3)
21	MIA11430	PISTON	1	.50 MM (.020") OS, (SUB FOR AM134716 OR MIA10918 OR MIA10858)
22	M152553	LOCK	2	(SUB FOR M147509)

KEY	PART NO.	PART NAME	QTY	REMARKS	
23	AM132347	PISTON PIN	1		

1





Suggest:

For more complete manuals. Please go to the home page.

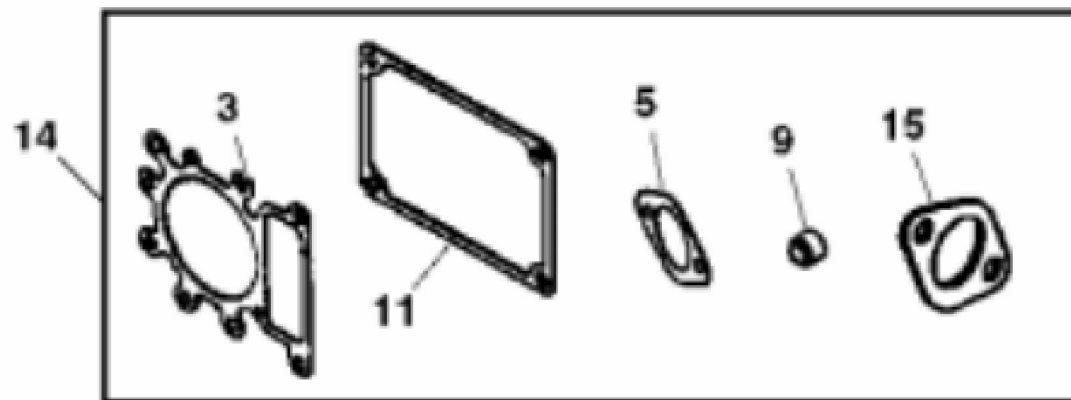
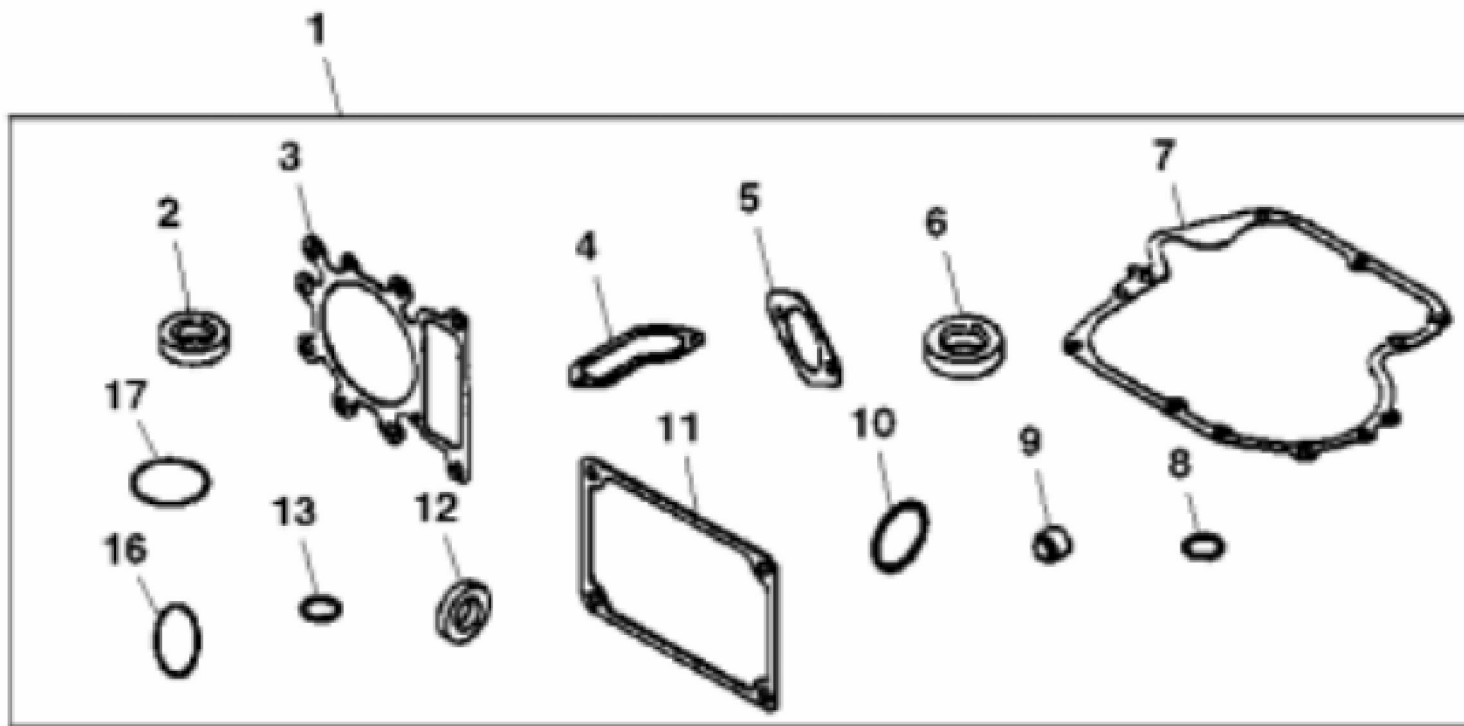
<https://www.ebooklibonline.com>

If the above button click is invalid. Please download this document first, and then click the above link to download the complete manual.

Thank you so much for reading

>ST645533 - CYLINDER HEAD

KEY	PART NO.	PART NAME	QTY	REMARKS
1	MIA11468	CYLINDER HEAD	1	(SUB FOR MIA11079 OR MIA10785 OR AM132971 OR AM132972)
2	LG691843	CAP	2	
3	LG691279	SPRING	2	
4	LG499586	RETAINER	1	(SUB FOR LG691752 OR M144618)
5	MIA11214	EXHAUST VALVE	1	(SUB FOR MIA10688 OR AM134724 OR AM132546 OR AM133877)
6	LG690968	SEAL	1	
7	MIA10689	INTAKE VALVE	1	(SUB FOR M149939 OR LG495857)
8	LG272475S	GASKET	1	
9	MIU11490	ENGINE CYLINDER HEAD GASKET	1	(SUB FOR LG692410 OR M150400)
10	LG692138	O-RING	1	
11	LG690822	GUIDE	1	
12	LG691095	STUD	2	
13	LG691751	ROCKER ARM	2	
14	LG691986	ADJUSTER	2	
15	M144311	GASKET	1	INTAKE
16	LG690564	TAPPET	2	
17	LG692003	PUSH ROD	1	INTAKE
17	LG692011	PUSH ROD	1	EXHAUST
18	MIU12708	COVER	1	(ROCKER ARM) (INCLUDES LG272475S) (SUB FOR LG692492 OR MIU11055)
19	37H73	SCREW	4	(ENGINE MARKED 31F707-0112-E1, 31F707-0112-E3)
19	LG691108	SCREW	4	(ENGINE MARKED 31F707-0114-E1, 31F707-0129-E1, 31F707-0132-E1, 31P707-0124-E1)
20	LG690360	BOLT	8	
21	M152565	GUARD	1	FLYWHEEL (ENGINE MARKED 31F707-0129-E1, 31F707-0132-E1, 31P707-0124-E1) (USE WITH MIA11079)
22	MIU11713	SHIELD	1	CYLINDER
23	LG692236	GASKET	1	EXHAUST



<https://www.ebooklibonline.com>

Hello dear friend!

Thank you very much for reading.

Enter the link into your browser.

The full manual is available for immediate download.

<https://www.ebooklibonline.com>