

MP25382

John Deere > Turf And Utility >TRACTOR, LAWN AND GARDEN >SCOTTS - TRACTOR, LAWN AND GARDEN >L17.542 Scotts Lawn Tractor with 42-inch Mower Deck >20 ENGINE GU20038 >ST644911 - CYLINDER HEAD AND ROCKER ARM

KEY	PART NO.	PART NAME	QTY	REMARKS
1	37M7131	SCREW	2	M6 X 20
2	37M7091	SCREW	3	M6 X 25
3	M124985	STRAP	1	LIFT
4	M92209	COVER	1	VALVE
5	TY22462	CLAMP	2	HOSE
6	M92212	HOSE	1	BREATHER
7	AM117016	VALVE	1	BREATHER;ORDER M153533,M92210 And M93483
8	M93483	SCREW	1	
9	M153533	RETAINER	1	
10	M92210	BEAM	1	
11	MIU13278	VALVE LIFTER	2	SUB FOR M137271 or MIU11034 or MIU12989
12	AM131949	ASSEMBLY LINE PARTS	1	CYLINDER HEAD
13	M146623	PUSH ROD	2	
14	M124986	ENGINE CYLINDER HEAD GASKET	1	
15	15H558	PIPE PLUG	1	1/8", HEX
16	INTAKE VALVE	1	(A) STD
16	M92213	INTAKE VALVE	1	.25 MM (.010") OS
17	EXHAUST VALVE	1	(B) STD
17	M92214	EXHAUST VALVE	1	.25 MM (.010") OS
18	AM132197	CYLINDER HEAD	1	(SUB FOR AM131950)
19	M131133	ROCKER ARM	2	
20	M131132	PIVOT	2	
21	19M8290	SCREW	2	M6 X 35
22	M120417	WASHER	1	
23	M120286	SPACER	1	(HEAD BOLT, EXHAUST PORT)
24	M149264	BOLT	5	CYLINDER HEAD, (SUB FOR M92367)
25	M146624	SPRING	2	
26	M92203	CAP	2	(A) (B)
27	AM107043	RETAINER	2	(A) (B)
28	AM119712	VALVE KIT	1	ORDER AM107043,M146624 , M92200 AND M92203 ; ;Not Illustrated
29	AM119711	VALVE KIT	1	EXHAUST VALVE (INCLUDES PARTS MARKED (B));;Not Illustrated

<https://www.ebooklibonline.com>

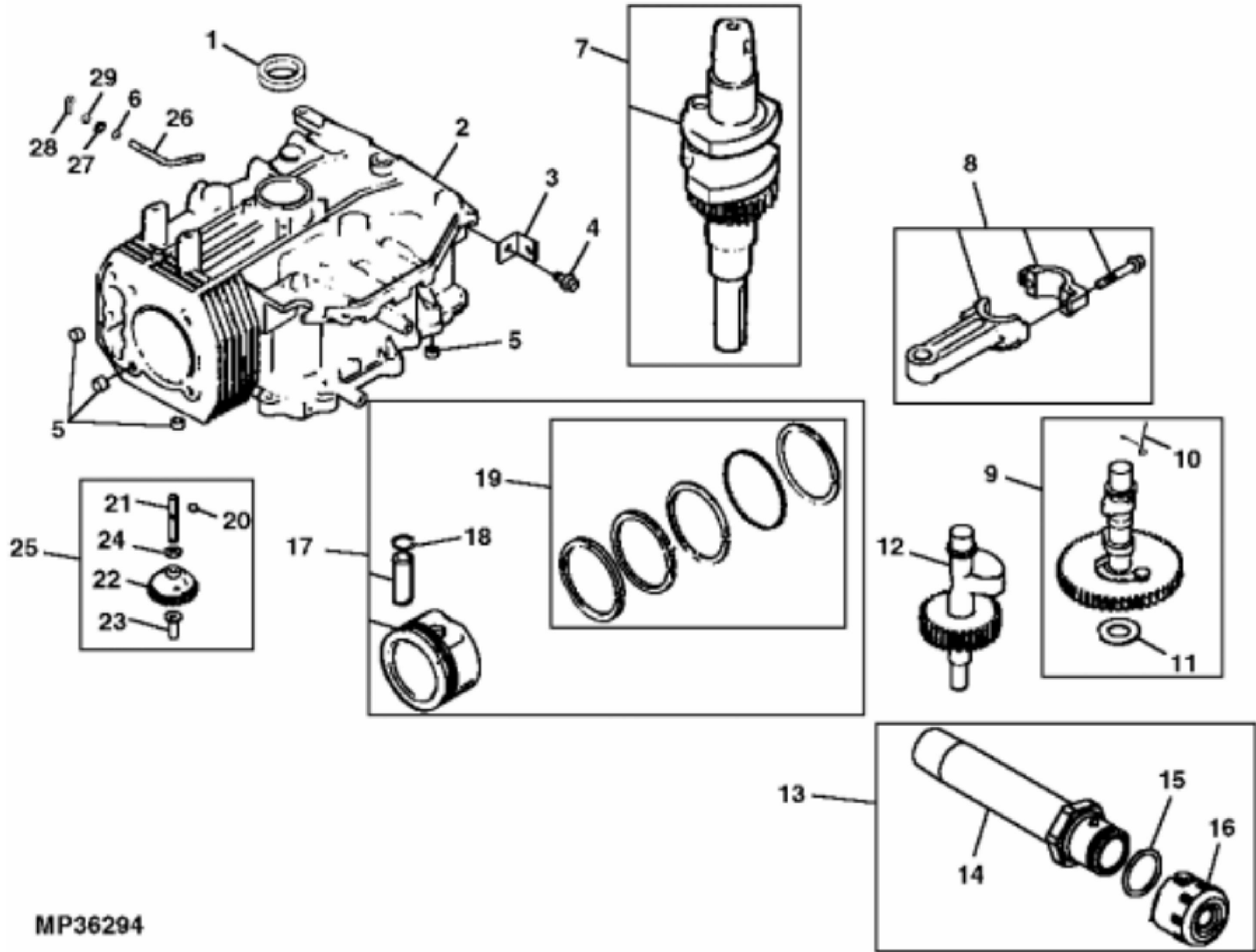
Hello dear friend!

Thank you very much for reading.

Enter the link into your browser.

The full manual is available for immediate download.

<https://www.ebooklibonline.com>

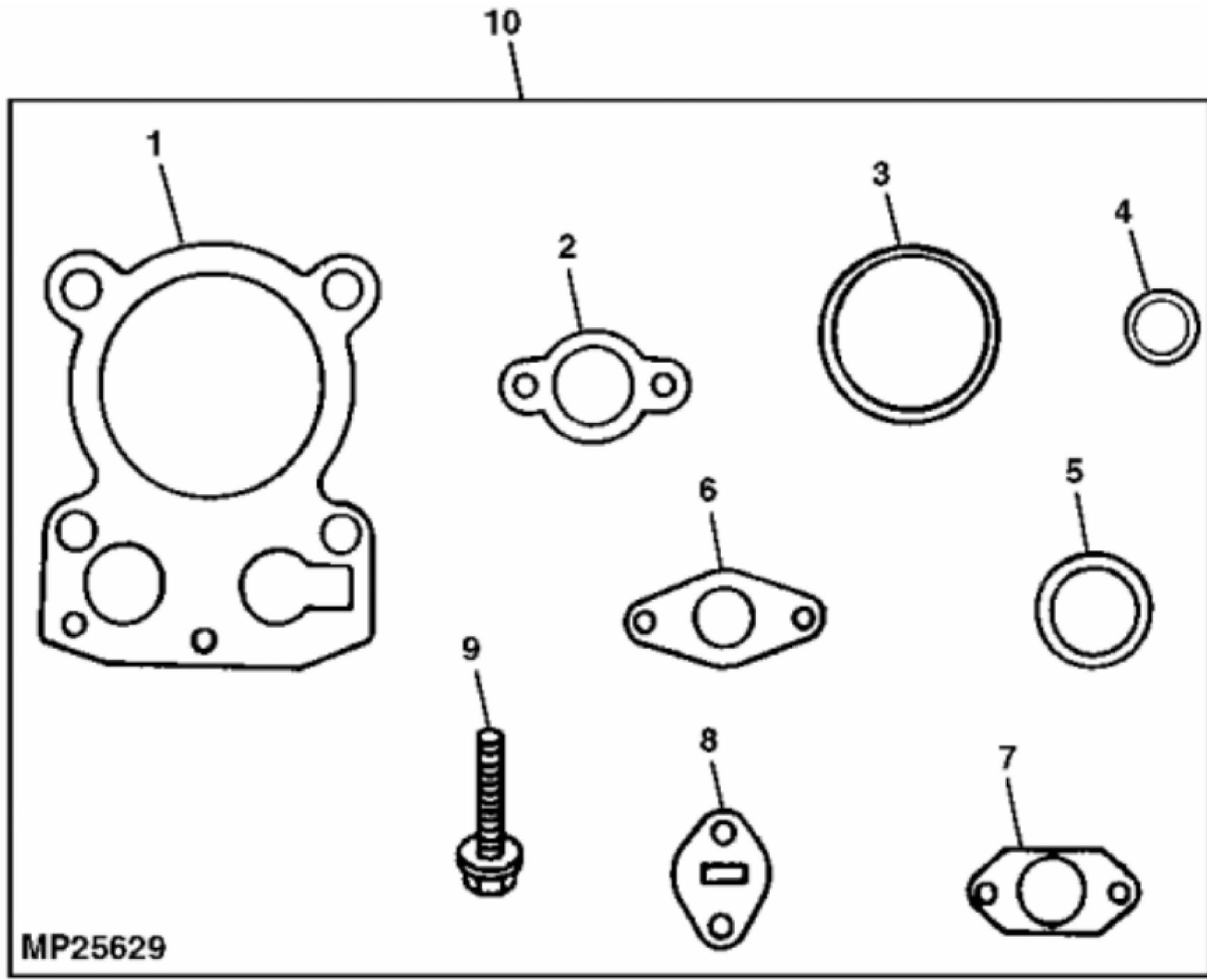


MP36294

John Deere > Turf And Utility >TRACTOR, LAWN AND GARDEN >SCOTTS - TRACTOR, LAWN AND GARDEN >L17.542 Scotts Lawn Tractor with 42-inch Mower Deck >20 ENGINE GU20038 >ST644912 - CRANKSHAFT, PISTON AND SHORT BLOCK

KEY	PART NO.	PART NAME	QTY	REMARKS
1	M92074	SEAL	1	
2	CYLINDER BLOCK	1	(ORDER AM131954)
3	M92069	STRAP	1	
4	19M7867	SCREW	1	M8 X 25
5	MIU11251	DOWEL PIN	4	Locating, (SUB FOR M144516)
6	M96520	WASHER	1	
7	AM131947	CRANKSHAFT	1	
8	M146620	ROD	1	Connecting, STD
8	M146621	ROD	1	.25 MM (.010") US, Connecting
9	AM123079	KIT	1	Camshaft (Metal Gear)
10	MIU10690	SPRING	1	Actuating, (SUB FOR M133017)
11	M93955	SOLID SHIM	AR	(.73 MM/ .029"), (White), Camshaft
11	M97015	SOLID SHIM	AR	(75 MM/ .030"), (Blue)
11	M118585	SHIM	AR	(.81 MM/ .032"), (Red)
11	M96817	SOLID SHIM	AR	(.86 MM/ .034"), (Yellow)
11	M96818	SOLID SHIM	AR	(.91 MM/ .036"), (Green)
11	M96819	SOLID SHIM	AR	(.96 MM/ .038"), (Gray)
11	M118584	SHIM	AR	(1.02 MM/ .040"), (Black)
12	M146619	SHAFT	1	Balance
13	AM131611	DRAIN PLUG	1	Oil Drain
14	TUBE	1	
15	T77932	O-RING	1	
16	CAP	1	
17	AM122461	PISTON REPLACEMENT KIT	1	STD
18	M92077	RETAINER	2	Piston Pin
19	AM122468	PISTON RING KIT	1	STD
20	M76215	PLUG	1	
21	M92081	SHAFT	1	
22	M92082	GEAR	1	
23	M92083	PIN	1	
24	M93418	WASHER	1	
25	AM117019	GEAR KIT	1	NLA
26	AM123070	SHAFT	1	Governor (INCLUDES M126396)
27	M92079	SEAL	1	Governor Cross Shaft

KEY	PART NO.	PART NAME	QTY	REMARKS	
28	M126396	QUICK LOCK PIN	1	Governor Hitch	
29	M93419	WASHER	1	Governor Shaft	
..	AM131587	ENGINE	1	(ENGINE MARKED CV490S-27509)	
..	AM131954	SHORT BLOCK ASSEMBLY	1	(ENGINE MARKED CV490S-27509)	





Suggest:

For more complete manuals. Please go to the home page.

<https://www.ebooklibonline.com>

If the above button click is invalid. Please download this document first, and then click the above link to download the complete manual.

Thank you so much for reading

John Deere > Turf And Utility >TRACTOR, LAWN AND GARDEN >SCOTTS - TRACTOR, LAWN AND GARDEN >L17.542 Scotts Lawn Tractor with 42-inch Mower Deck >20 ENGINE GU20038 >ST603496 - ENGINE GASKET KIT

KEY	PART NO.	PART NAME	QTY	REMARKS
1	M124986	ENGINE CYLINDER HEAD GASKET	1	
2	M92356	GASKET	1	AIR CLEANER
3	M131281	O-RING	1	OIL PUMP COVER
4	M92193	O-RING	2	LOWER, OIL FILL TUBE
5	M92074	SEAL	2	CRANKSHAFT
6	M92365	GASKET	2	MUFFLER
7	AM107046	GASKET	2	CARBURETOR
8	M126886	GASKET	1	FUEL PUMP
9	M149264	SCREW	5	(SUB FOR M92367)
10	AM130690	GASKET KIT	1	

<https://www.ebooklibonline.com>

Hello dear friend!

Thank you very much for reading.

Enter the link into your browser.

The full manual is available for immediate download.

<https://www.ebooklibonline.com>