

T64280F

KEY	PART NO.	PART NAME	QTY	REMARKS
1	19H2117	CAP SCREW	6	5/16" X 1-1/8"
1	R47074	CAP SCREW	6	(USE WITH R46430)
2	R35128	LOCK PLATE	6	(SUB FOR T13857)
3	R78124	HOUSING	1	(SUB FOR R41406) (ALSO ORDER (6) 24H1136)
4	R26058	GASKET	1	
5	RE22764	SEAL	1	(SUB FOR AR34682, AR49650, AR63095 OR RE14953)
6	R43634	DOWEL PIN	1	(USE WITH R46430)
7	R26115	CAP	1	
7	R46903	BUSHING	3	
8	F1743R	DOWEL PIN	5	
9	15H255	PIPE PLUG	1	3/8"
10	AR70645	O-RING KIT	4	(USE WITH R46430)
11	AR68650	KIT	4	(USE WITH R46430)
12	AR44382	DRAIN VALVE	1	(USE WITH R46430)
13	AR40751	DIPSTICK	1	(USE WITH R46430)
14	A4730R	O-RING	2	(USE WITH AR40751)
15	R26241	DOWEL PIN	2	
16	CYLINDER BLOCK	1	(A) (MARKED R46430) (SUB FOR AR40637 AND AR44557) (AR48625 NO LONGER AVAILABLE)
17	19H1732	CAP SCREW	3	3/8" X 1-1/4"
18	12H304	LOCK WASHER	1	3/8"
19	R42493	COVER	1	
20	R42494	GASKET	1	
21	R27175	DRAIN PLUG	1	
22	F3171R	O-RING	1	
23	R41070	TUBE	1	(USE WITH R46430)
24	K3083R	STUD	2	7/16" X 1-3/4"
25	R56481	STUD	2	(SUB FOR M3636T)
26	AR27977	TOUCH SWITCH	1	
27	15H638	PIPE PLUG	5	1/8", (SUB FOR R21630, THIS APPLICATION)
28	34H366	SPRING PIN	2	1/2" X 1"
29	15H638	PIPE PLUG	1	1/8"
30	15H571	PIPE PLUG	1	3/8"
31	15H638	PIPE PLUG	1	1/8"
32	R46192	GASKET	1	

<https://www.ebooklibonline.com>

Hello dear friend!

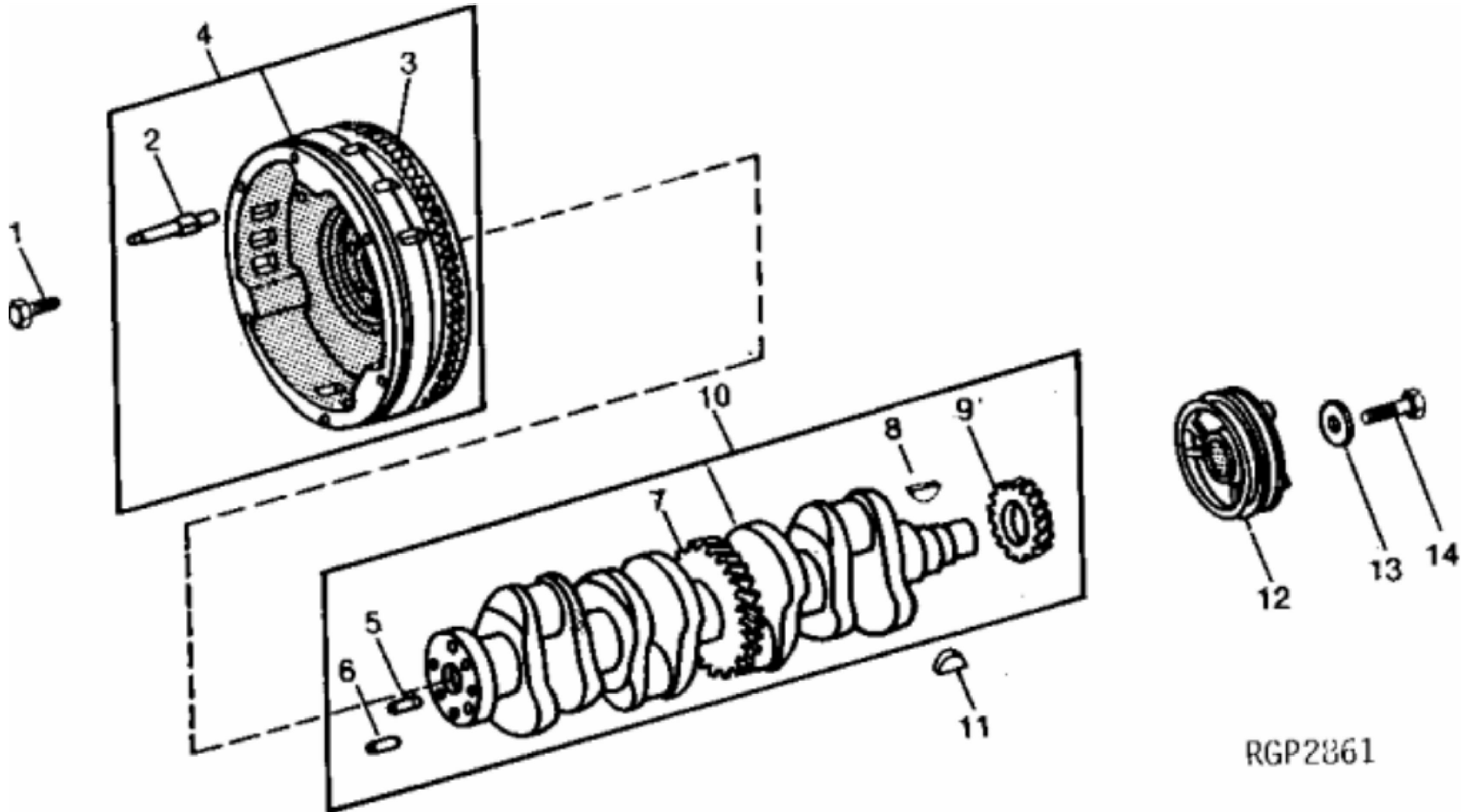
Thank you very much for reading.

Enter the link into your browser.

The full manual is available for immediate download.

<https://www.ebooklibonline.com>

KEY	PART NO.	PART NAME	QTY	REMARKS	
33	R26825	COVER	1		
34	19H2284	CAP SCREW	1	3/8" X 7/8"	
35	14H785	NUT	2	5/16"	
36	12H303	LOCK WASHER	2	5/16"	
37	R48755	STUD	2	5/16" X 1-1/2"	
38	R1612R	DOWEL PIN	2		
39	15H624	PIPE PLUG	1	1/2", (USE WITH R46430) (SUB FOR AR72319)	



RGP2861



Suggest:

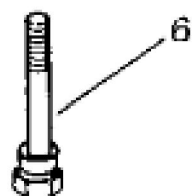
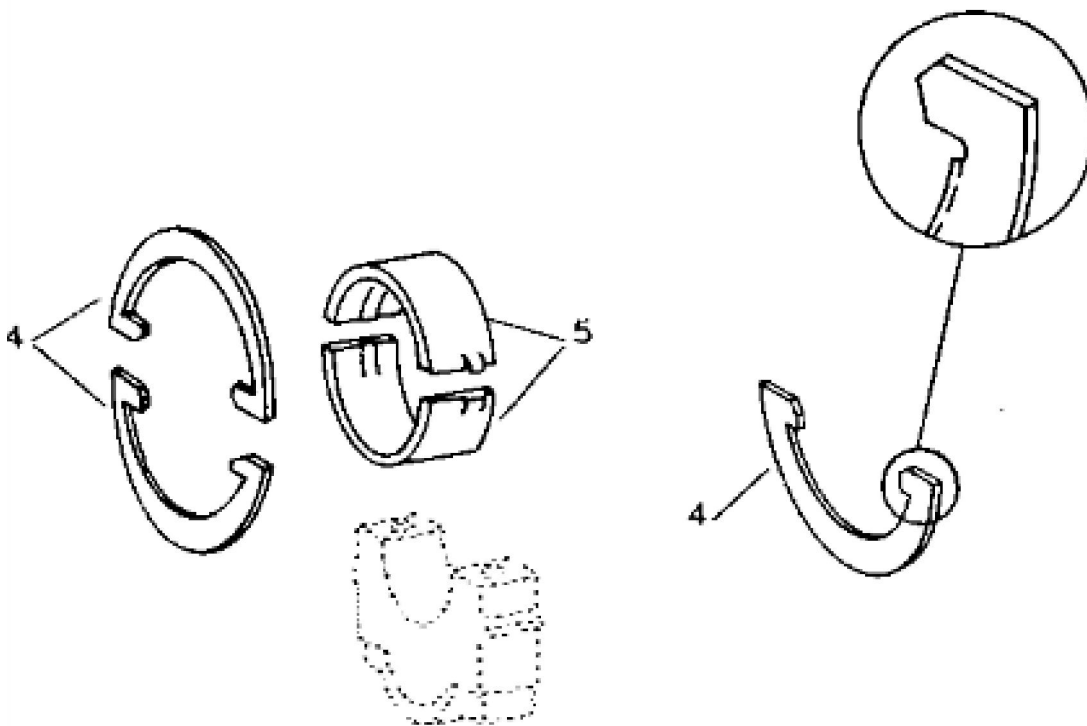
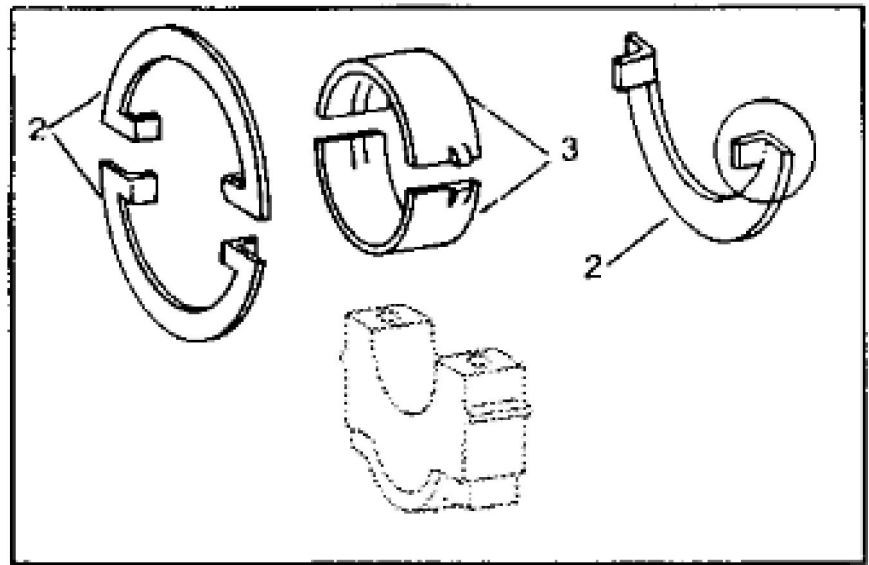
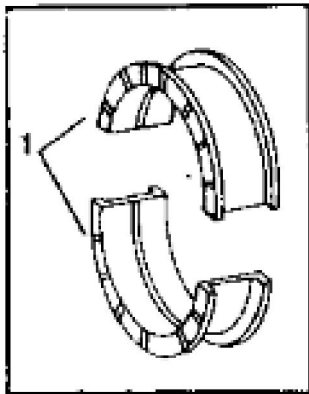
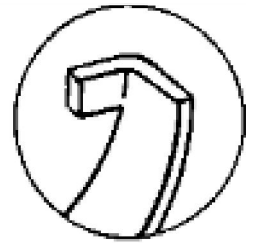
For more complete manuals. Please go to the home page.

<https://www.ebooklibonline.com>

If the above button click is invalid. Please download this document first, and then click the above link to download the complete manual.

Thank you so much for reading

KEY	PART NO.	PART NAME	QTY	REMARKS
1	R28029	CAP SCREW	4	
2	15H665	PIPE PLUG	3	3/4", (USE WITH AR30411 OR AR30412)
2	R40731	DOWEL PIN	3	(A) (SUB FOR R34213) (USE WITH AR32246, AR32247, AR40564 OR AR40565)
2	R32192	DOWEL PIN	3	(B)
3	R26054	GEAR	1	(GAS)
3	R28811	RING GEAR	1	(DIESEL)
4	AR40564	FLYWHEEL	1	(A) (GAS) (MARKED R26720 OR R40726) (SUB FOR AR26486, AR30411 OR AR32246) (JD500, JD500-A, JD500-B, JD510)
4	AR40565	FLYWHEEL	1	(A) (DIESEL) (MARKED R28810 OR R40727) (SUB FOR AR28052, AR30412 OR AR32247) (JD500, JD500-A, JD500-B, JD500-C)
4	AR53380	FLYWHEEL	1	(B) (DIESEL) (MARKED R31638 OR R40729 OR R49529) (SUB FOR AR34238 OR AR40563) (JD500, JD500-A, JD500-B, JD500-C, JD510)
4	AR53379	FLYWHEEL	1	(B) (GAS) (MARKED R33530, R40728 OR R49528) (SUB FOR AR34239 OR AR40562) (JD500, JD500-A, JD500-B, JD500-C)
5	R41934	DOWEL PIN	1	(SUB FOR R28999)
6	B2641R	DOWEL PIN	1	
7	R63326	GEAR	1	(SUB FOR R26521)
8	26H9	SHAFT KEY	1	1/8" X 5/8"
9	R26049	GEAR	1	
10	CRANKSHAFT	1	(GAS AND LP) (MARKED R26530) (AR26426 NO LONGER AVAILABLE) (JD500, JD500-A*)
10	AR26428	CRANKSHAFT	1	(DIESEL) (MARKED R26540 OR R46498) (JD500, JD500-A*)
10	AR40483	CRANKSHAFT	1	(GAS) (MARKED R40720) (JD500-A,JD500-B)
10	AR40485	CRANKSHAFT	1	(DIESEL) (MARKED R40570) (JD500A,JD500-B, JD500-C, JD510)
11	26H85	SHAFT KEY	1	1/4" X 1"
12	R47625	PULLEY	1	(SUB FOR R34059) (JD500, JD500-A, JD500-B)
12	R66267	PULLEY	1	(SUB FOR R47625) (JD500-C, JD510)
13	R26333	WASHER	1	
14	19H2706	CAP SCREW	1	5/8" X 2", (HS, SAE 8)



<https://www.ebooklibonline.com>

Hello dear friend!

Thank you very much for reading.

Enter the link into your browser.

The full manual is available for immediate download.

<https://www.ebooklibonline.com>