

TP7240

KEY	PART NO.	PART NAME	QTY	Serial No.	REMARKS
1	R48685	DOWEL PIN	2		(SUB FOR A120R)
2	15H690	PIPE PLUG	1	____-80503	3/4"
3	R48685	DOWEL PIN	2		(SUB FOR R26241, THIS APPLICATION)
4	AT13740	DRAIN VALVE	1		(WITHOUT ENGINE COOLANT HEATER)
4	T29388	UNION FITTING	1		(WITH ENGINE COOLANT HEATER) (SUB FOR T29381) (ALSO ORDER 15H613 ELBOW)
5	15H275	PIPE PLUG	1		1/4", (WITHOUT ENGINE COOLANT HEATER)
5	T29388	UNION FITTING	1		(WITH ENGINE COOLANT HEATER) (SUB FOR T29381) (ALSO ORDER 15H613 ELBOW)
6	T20173	STUD	2		
6	T25701	STUD	1		
7	12H304	LOCK WASHER	3		3/8"
8	14H812	NUT	3		3/8"
9	T18891	PLUG	2	78483-____	
10	R26493	BUSHING	1		
11	R26650	DOWEL PIN	2		
12	15H623	PIPE PLUG	1	22238-____	3/8"
13	.....	CYLINDER BLOCK	1	____-22237	(DIESEL)(NO LONGER AVAILABLE)
13	AT22749	CYLINDER BLOCK	1	____-50402	(GASOLINE)(NO LONGER AVAILABLE)
14	R46625	SPRING	1		(USE WITH AR97028)
15	R73139	FLOW CONTROL HYD. VALVE	1		(USE WITH AR97028)
..	RE19855	SHORT BLOCK ASSEMBLY	1		(MARKED R122820, T26933 OR T24961) (DIESEL)(WITH CYLINDER BLOCK ASSEMBLY, PISTONS, CONNECTING RODS, BALANCER SHAFTS, CAMSHAFT, AND MISCELLANEOUS PARTS)
..	.....	SHORT BLOCK ASSEMBLY	1		(GASOLINE)(NO LONGER AVAILABILE)

**<https://www.ebooklibonline.com>**

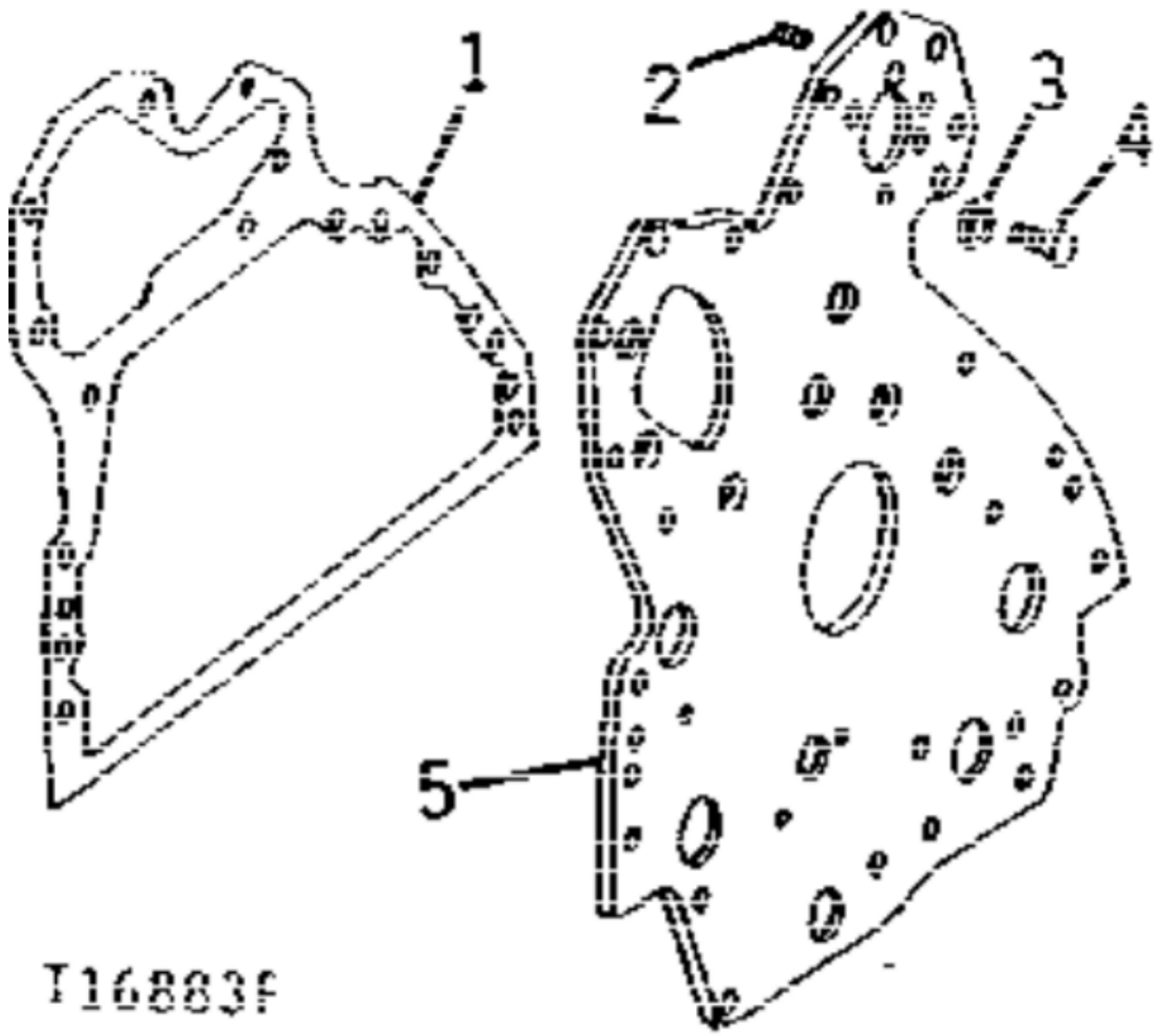
Hello dear friend!

Thank you very much for reading.

Enter the link into your browser.

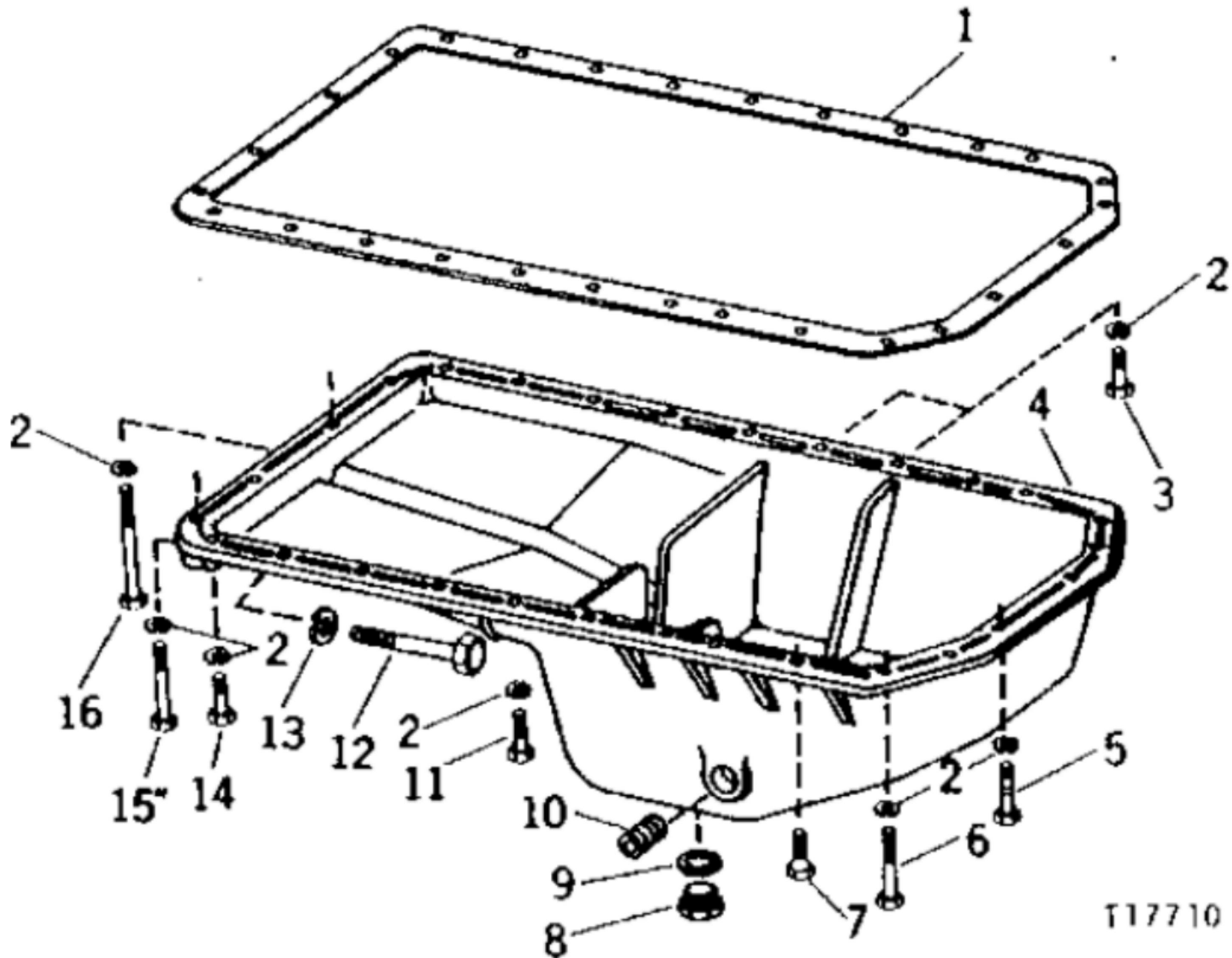
The full manual is available for immediate download.

**<https://www.ebooklibonline.com>**



T16883F

KEY	PART NO.	PART NAME	QTY	REMARKS	
1	R73140	GASKET	1	(SUB FOR T20292 AND T24965)	
2	AT21191	SET SCREW	5	(DIESEL)	
2	AT22919	SET SCREW	2	(DIESEL)	
3	12H324	WASHER	5	3/8", (WITH ENGINE COOLANT HEATER)	
4	T20166	SCREW	5		
5	RE16149	PLATE	1	(DIESEL) (SUB FOR T20295 AND R56736) (ALSO ORDER (8) AT21191 AND (2) AT22919)	
5	R56737	PLATE	1	(GASOLINE) (SUB FOR T20024)	



117710



**Suggest:**

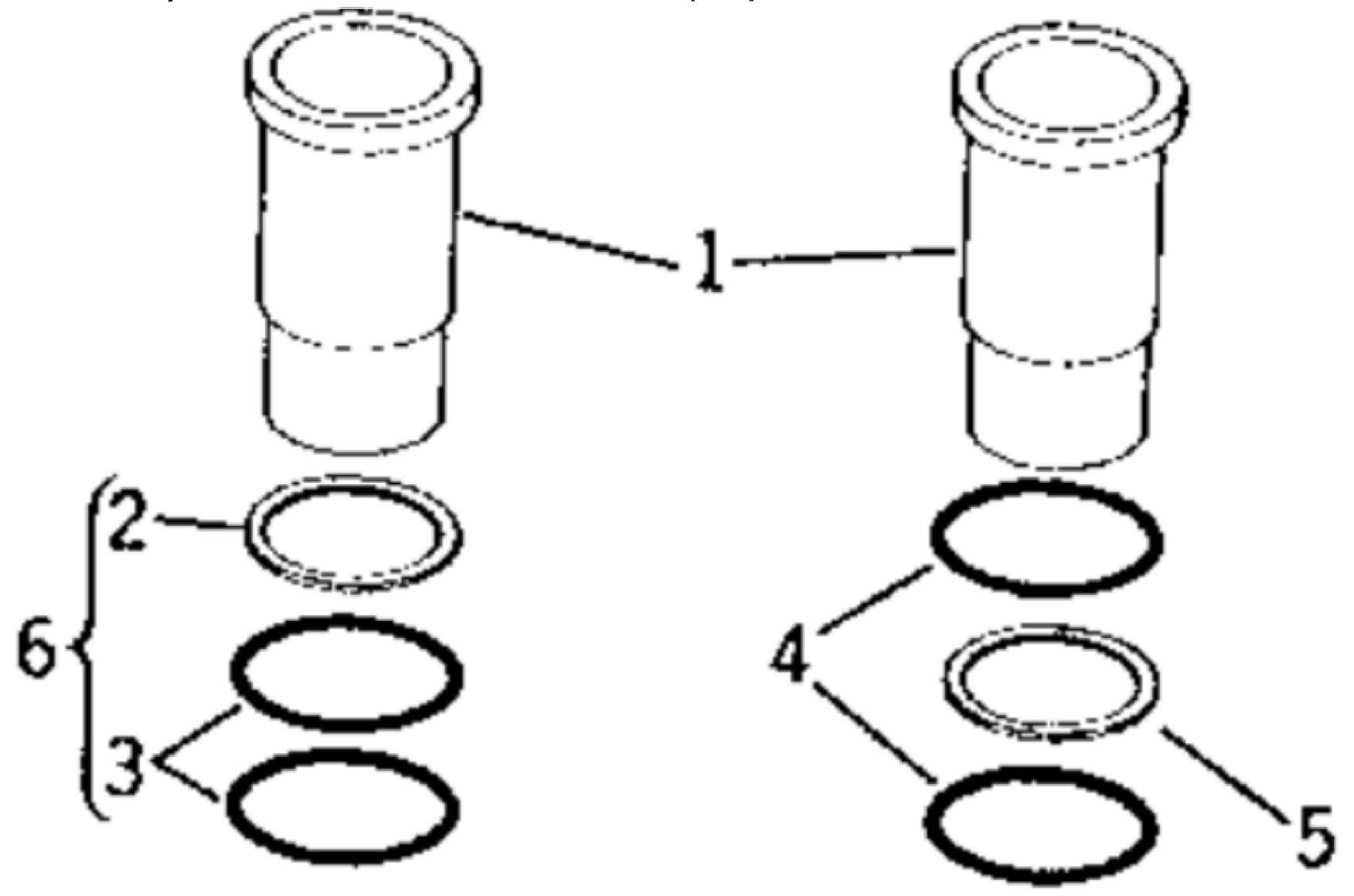
**For more complete manuals. Please go to the home page.**

**<https://www.ebooklibonline.com>**

**If the above button click is invalid. Please download this document first, and then click the above link to download the complete manual.**

**Thank you so much for reading**

KEY	PART NO.	PART NAME	QTY	Serial No.	REMARKS
1	T22720	GASKET	1		(SUB FOR R49515, THIS APPLICATION)
2	12H304	LOCK WASHER	26		3/8"
3	19H3267	CAP SCREW	1		3/8" X 1-5/8"
4	T20163	OIL PAN	1		
5	19H2633	CAP SCREW	5		3/8" X 1-1/2"
6	19H3065	CAP SCREW	1		3/8" X 2"
7	T20309	WHEEL BOLT	2		
8	M1746T	DRAIN PLUG	1		
9	T13213	WASHER	1		
10	15H690	PIPE PLUG	1	____-80503	3/4"
11	19H3239	CAP SCREW	15		3/8" X 1-1/4", (WITHOUT ENGINE COOLANT HEATER)
11	19H1732	CAP SCREW	13		3/8" X 1-1/4", (WITH ENGINE COOLANT HEATER)
12	19H2726	CAP SCREW	2		5/8" X 4", HIGH-STRENGTH
13	12H294	LOCK WASHER	2		5/8"
14	19H3385	CAP SCREW	1		1/2" X 1-1/8"
15	19H3031	CAP SCREW	2		3/8" X 2-1/2"
16	19H3404	CAP SCREW	2		3/8" X 4"



T40813

**<https://www.ebooklibonline.com>**

Hello dear friend!

Thank you very much for reading.

Enter the link into your browser.

The full manual is available for immediate download.

**<https://www.ebooklibonline.com>**