

MP22990

KEY	PART NO.	PART NAME	QTY	REMARKS	
1	M807054	BRACKET	3	ENGINE LIFT	
2	19M7865	SCREW	3	M8 X 16	
3	M808737	GROMMET	4		
4	AM880023	COVER	1		
5	M808738	BUSHING	4		
6	19M7775	SCREW	4	M6 X 16	
7	M807025	PIPE	6		
8	M810026	ENGINE CYLINDER HEAD GASKET	2	(SUB FOR M807212)	
9	M807023	BOLT	4		
10	M807022	BOLT	4		
11	M809545	O-RING	1		
12	M802255	PIN	2		
13	M809546	O-RING	1		
14	M809547	O-RING	1		
15	M807021	PLUG	2		
16	H836R	BALL	2		
17	M807020	SEAL	1		
18	MIA880652	CYLINDER BLOCK	1	(SUB FOR AM880603)	
19	M809544	O-RING	2		
..	AM124283	DIESEL ENGINE	1	(MARKED 2V78C-JB)	

<https://www.ebooklibonline.com>

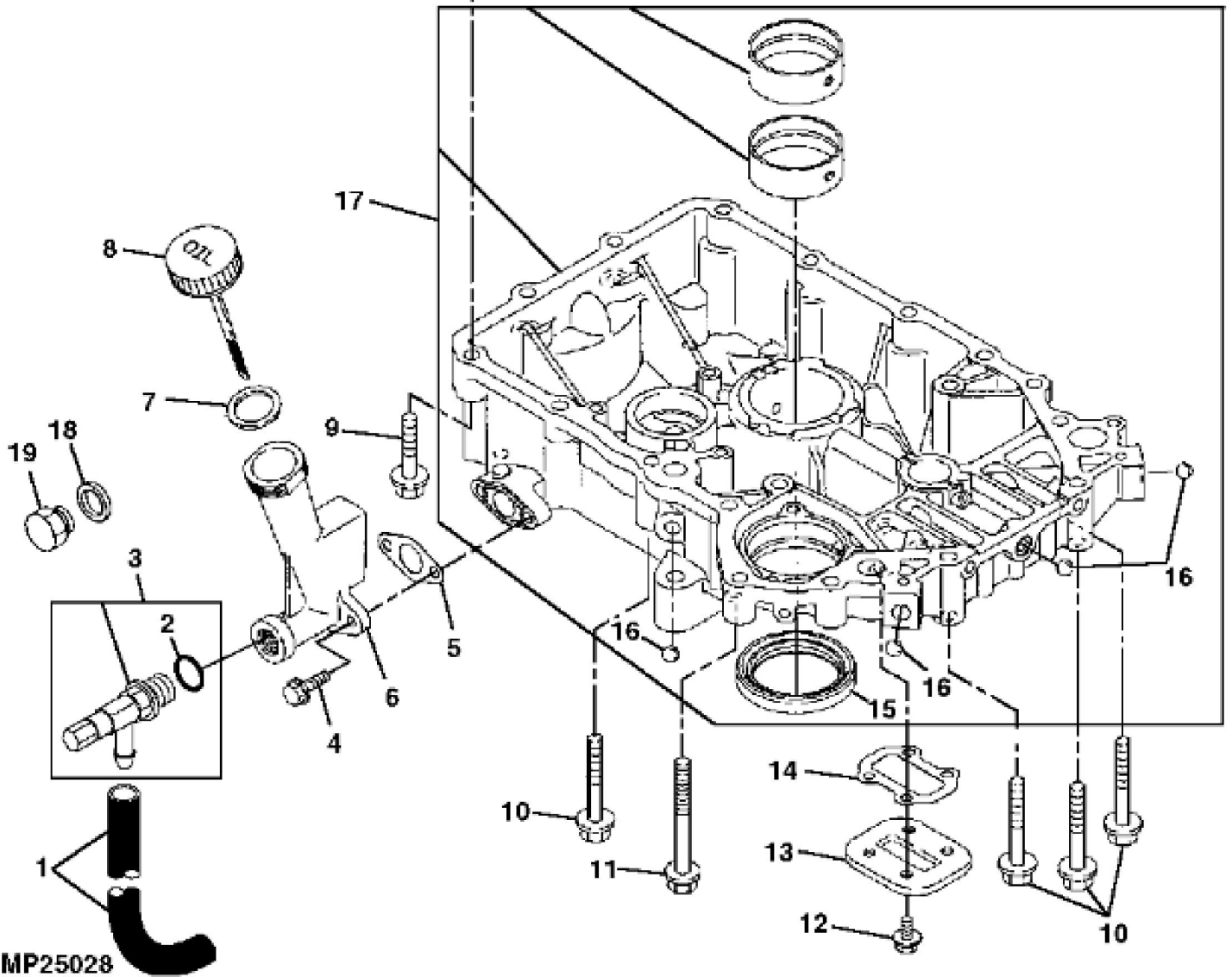
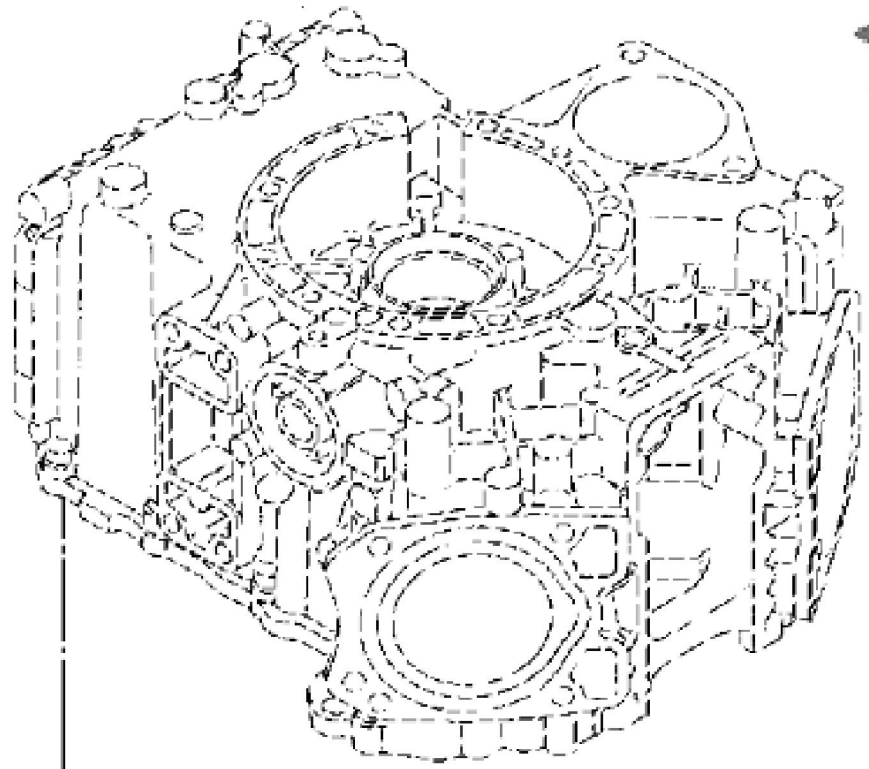
Hello dear friend!

Thank you very much for reading.

Enter the link into your browser.

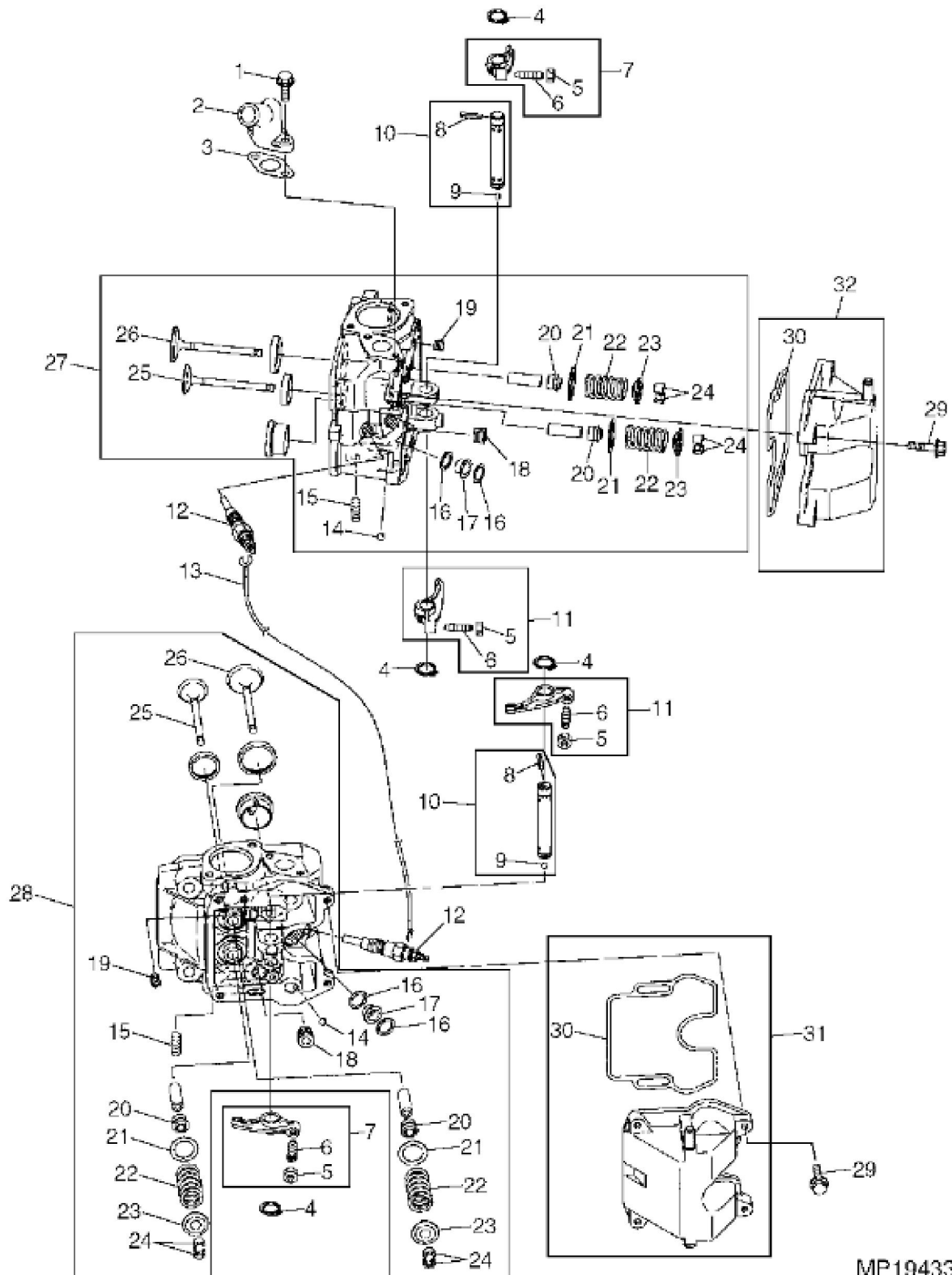
The full manual is available for immediate download.

<https://www.ebooklibonline.com>



MP25028

KEY	PART NO.	PART NAME	QTY	REMARKS
1	HOSE	1	MAKE FROM TY22562; Oil Drain
2	51M7042	O-RING	1	13.300 X 2.200 mm
3	AM115362	DRAIN VALVE	1	
4	19M7862	SCREW	2	M6 X 20, SUB FOR M87820
5	M807073	GASKET	1	
6	M807136	GUIDE	1	Dipstick
7	M807032	GASKET	1	
8	M807031	DIPSTICK	1	
9	19M8317	SCREW	10	M8 X 40, SUB FOR M89128
10	19M7979	SCREW	4	M8 X 55
11	CH19091	BOLT	1	
12	19M7774	SCREW	4	M6 X 12
13	M807026	COVER	1	
14	M807027	GASKET	1	
15	M807030	SEAL	1	
16	H836R	BALL	4	
17	AM879037	GEAR CASE	1	NLA
18	M806433	SEALING WASHER	1	
19	T111565	PLUG	1	



MP19433



Suggest:

For more complete manuals. Please go to the home page.

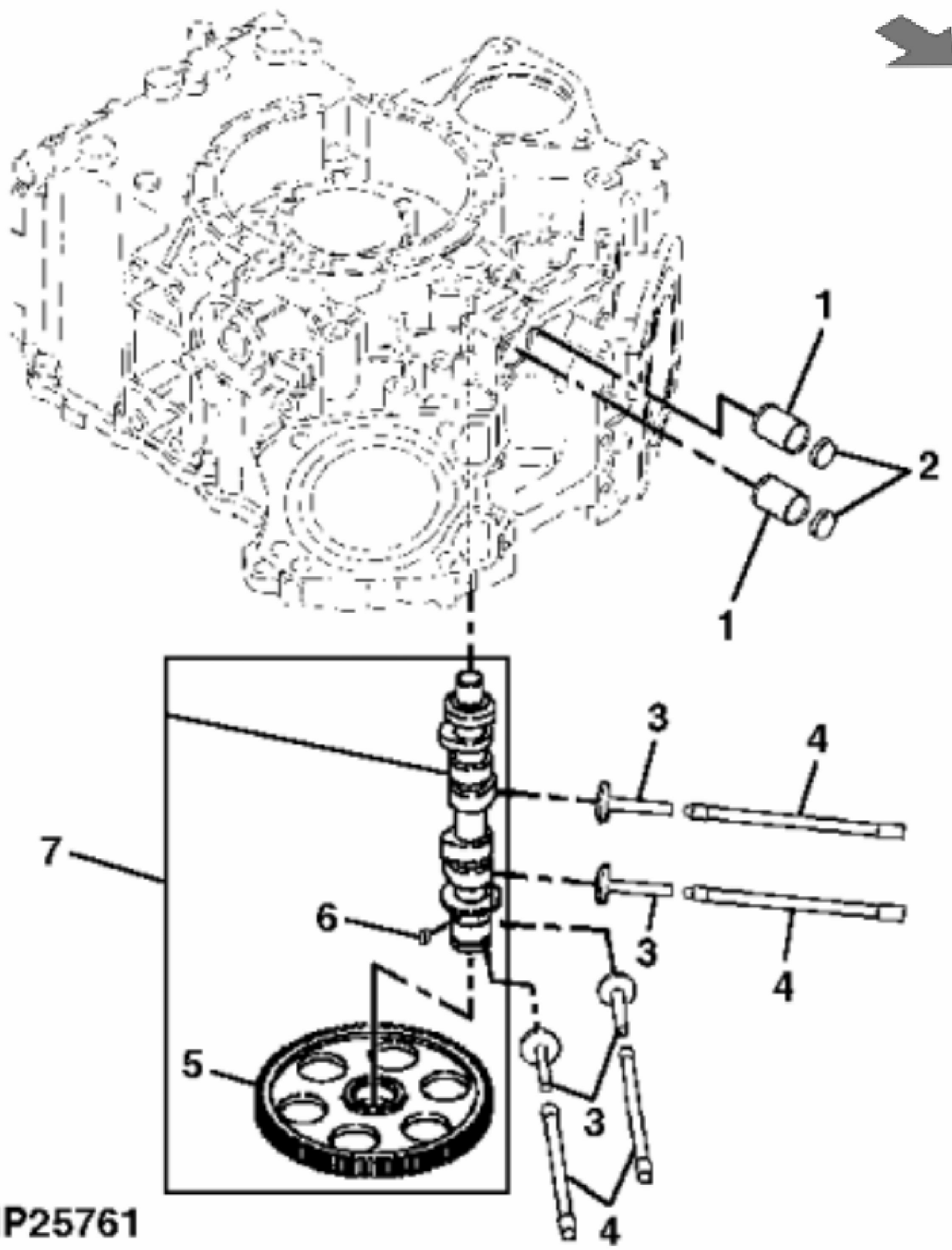
<https://www.ebooklibonline.com>

If the above button click is invalid. Please download this document first, and then click the above link to download the complete manual.

Thank you so much for reading

John Deere > Turf And Utility >TRACTOR, LAWN AND GARDEN >GX355 - TRACTOR, LAWN AND GARDEN >GX355 Lawn and Garden Tractor >20 ENGINE AM124283 >ST650047 - CYLINDER HEAD ASSEMBLY

KEY	PART NO.	PART NAME	QTY	REMARKS
1	19M7862	SCREW	2	M6 X 20, (SUB FOR M87820)
2	M807072	ELBOW FITTING	1	
3	M807073	GASKET	1	
4	M87818	SNAP RING	4	
5	14M7194	NUT	1	M6
6	M87841	SCREW	1	
7	AM880207	ARM	2	ROCKER A
8	CH11496	PIN	2	
9	R63075	BALL	1	
10	AM879043	SHAFT	2	
11	AM880208	ARM	2	ROCKER B
12	M800057	GLOW PLUG	2	
13	M807169	ELECTRICAL CONNECTOR ASSY	1	
14	400R	BALL	1	
15	M808108	STUD	1	
16	M89135	GASKET	2	
17	M89134	PACKING	1	
18	CH10335	PLUG	1	
19	M807062	SCREW	1	
20	M807068	SEAL	2	NLA; ORDER MIU802009
20	MIU802009	SEAL	2	
21	M807069	RETAINER	2	
22	M807065	SPRING	2	
23	M807066	RETAINER	2	
24	AM880005	RETAINER	2	
25	M807064	EXHAUST VALVE	1	
26	M807063	INTAKE VALVE	1	
27	AM880599	CYLINDER HEAD	1	(NO. 2)
28	AM880598	CYLINDER HEAD	1	(NO. 1)
29	M87869	BOLT	8	
30	M807078	GASKET	1	
31	AM879046	VALVE COVER	1	(HEAD 1)
32	AM879047	VALVE COVER	1	(HEAD 2)



MP25761

<https://www.ebooklibonline.com>

Hello dear friend!

Thank you very much for reading.

Enter the link into your browser.

The full manual is available for immediate download.

<https://www.ebooklibonline.com>