

John Deere > Turf And Utility >TRACTOR, LAWN AND GARDEN >GX255 - TRACTOR, LAWN AND GARDEN >GX255 Lawn Tractor, Mower Deck and MCS >20 ENGINE MM13659 >ST594393 - CYLINDER HEAD AND CRANKCASE

KEY	PART NO.	PART NAME	QTY	REMARKS
1	M141350	FILTER ELEMENT	1	ORDER MIA11393
1	MIA11393	COVER KIT	1	(Not Illustrated) INCLUDES MIU11731, MIU11732 AND 19M7775
2	21M7244	SCREW	1	M4 X 8, (BREATHER)
3	M140222	GASKET	1	USE WITH AM134131, AM134464, AM135292, AM133940 AND MIA10964
3	MIU11731	GASKET	1	
4	M140224	COVER	1	USE WITH AM134131, AM134464, AM135292, AM133940 AND MIA10964
4	MIU11732	COVER	1	
5	19M7774	SCREW	4	M6 X 12, USE WITH AM134131, AM134464, AM135292, AM133940 AND MIA10964
5	19M7775	SCREW	4	M6 X 16
6	M150948	SEAL	1	
7	M138394	BOLT	2	NLA; ORDER MIU11322
7	MIU11322	BOLT	2	
8	M138389	SEAL	4	(SUB FOR M149280)
9	19M8477	CAP SCREW	4	M6 X 40
10	M140218	CASE	2	ROCKER
11	M140221	GASKET	2	ROCKER CASE
12	MIU11326	BOLT	18	(SUB FOR M138393)
13	MIA10402	CYLINDER HEAD	1	(SUB FOR AM132473)
14	M138388	PIN	6	
15	M147908	ENGINE CYLINDER HEAD GASKET	2	
16	M138395	STUD	4	NLA; ORDER MIU11736
16	MIU11736	BOLT	4	NLA; ORDER MIU12726
16	MIU12726	STUD	4	
17	M140220	GASKET	1	CRANKCASE COVER
18	AM135296	CYLINDER HEAD	1	(SUB FOR AM132396)
19	14M7166	LOCK NUT	4	M8
20	M140231	SNAP RING	2	
21	M149282	SEAL	1	
22	M138392	SEAL	1	NLA; ORDER M151774
22	M151774	SEAL	1	

<https://www.ebooklibonline.com>

Hello dear friend!

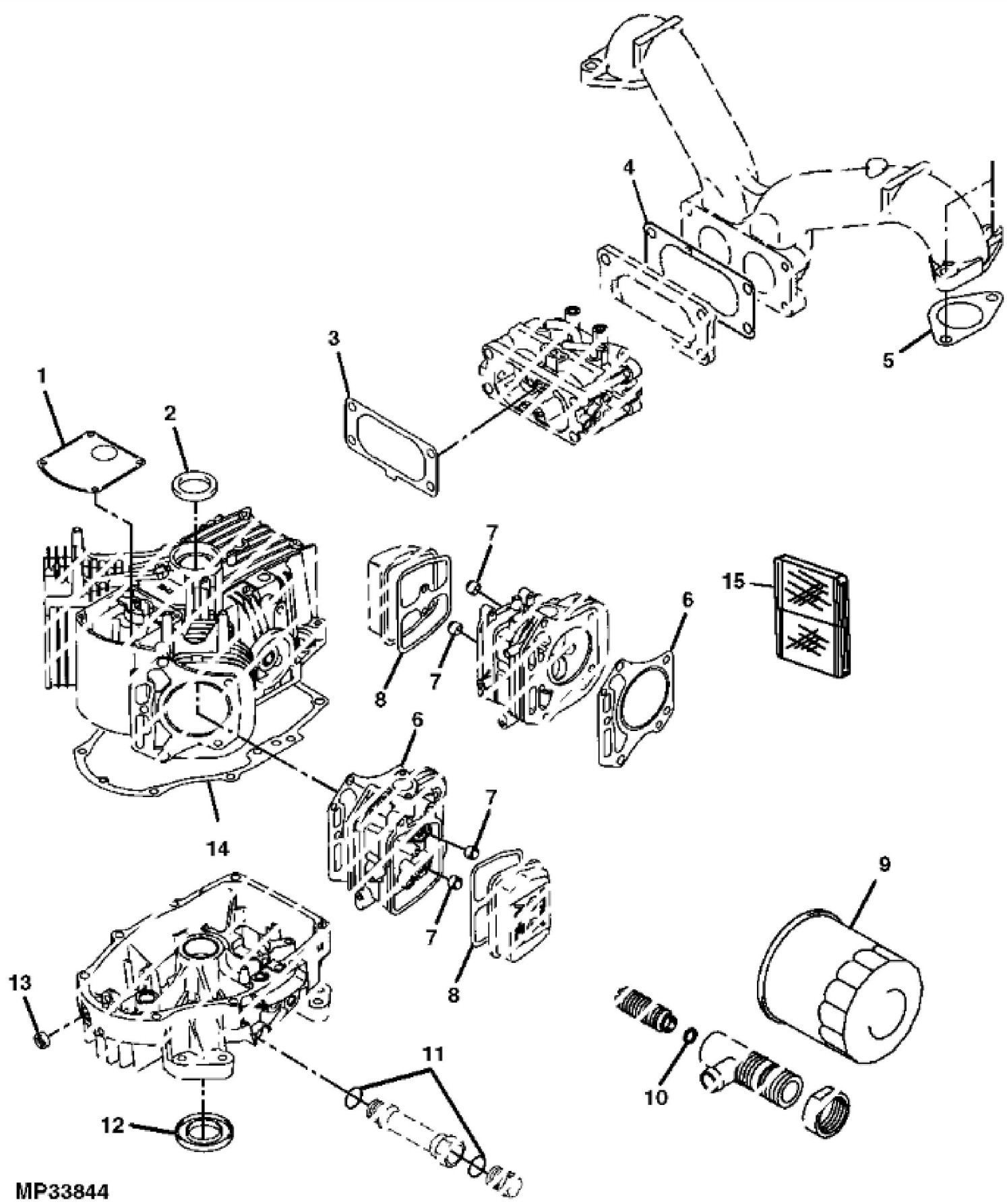
Thank you very much for reading.

Enter the link into your browser.

The full manual is available for immediate download.

<https://www.ebooklibonline.com>

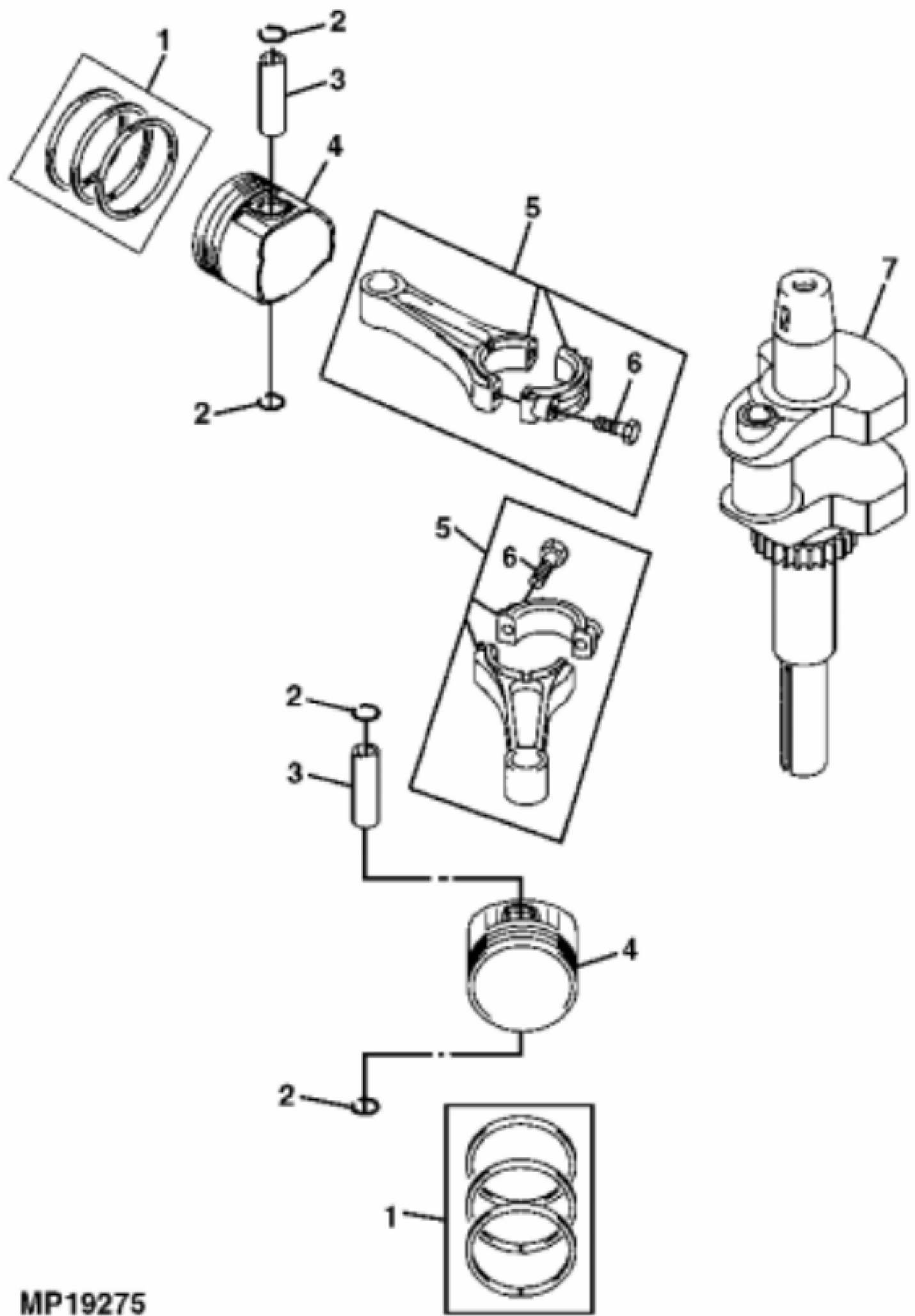
KEY	PART NO.	PART NAME	QTY	REMARKS	
23	MIU11292	COVER	1	CRANKCASE, (SUB FOR M150623)	
24	M140223	PLATE	1		
25	M140229	VALVE	1		
26	19M7897	SCREW	4	M8 X 35	
27	M127431	ADAPTER FITTING	1		
28	AM133930	CRANKCASE	1		
29	AM133908	GASOLINE ENGINE	1	(Not Illustrated) MARKED FH601V-CS15; ORDER MIA10964	
29	AM134131	GASOLINE ENGINE	1	(Not Illustrated) MARKED FH601V-DS15; ORDER MIA10964	
29	AM134464	GASOLINE ENGINE	1	(Not Illustrated) MARKED FH601V-ES15; ORDER MIA10964	
29	AM135292	GASOLINE ENGINE	1	(Not Illustrated) MARKED FH601V-FS15; ORDER MIA10964; SUB FOR AM134464, AM134131 OR AM133908	
29	AM133940	SHORT BLOCK ASSEMBLY	1	(Not Illustrated) ORDER MIA10964	
29	MIA10964	SHORT BLOCK ASSEMBLY	1	(Not Illustrated)	



MP33844

John Deere > Turf And Utility >TRACTOR, LAWN AND GARDEN >GX255 - TRACTOR, LAWN AND GARDEN >GX255 Lawn Tractor, Mower Deck and MCS >20 ENGINE MM13659 >ST594398 - ENGINE GASKET KIT

KEY	PART NO.	PART NAME	QTY	REMARKS
1	M140222	GASKET	1	BREATHER
2	M149281	SEAL	1	UPPER CRANKSHAFT (FLYWHEEL)
3	M140260	GASKET	1	AIR CLEANER
4	M141357	GASKET	1	CARBURETOR
5	M140262	GASKET	1	INTAKE MANIFOLD
6	M147908	ENGINE CYLINDER HEAD GASKET	2	
7	M138389	SEAL	4	VALVE STEM, (SUB FOR M149280)
8	M140221	GASKET	2	ROCKER CASE
9	AM107423	OIL FILTER	1	
10	M138424	O-RING	1	OIL DRAIN VALVE
11	M88478	O-RING	5	OIL DRAIN TUBE
12	M149282	SEAL	1	LOWER CRANKSHAFT (PTO CLUTCH)
13	M138392	SEAL	1	NLA; ORDER M151774; Governor Shaft
13	M151774	SEAL	1	
14	M140220	GASKET	1	CRANKCASE COVER
15	M140243	OIL FILTER	1	OIL
..	AM132507	GASKET KIT	1	ENGINE



MP19275



Suggest:

For more complete manuals. Please go to the home page.

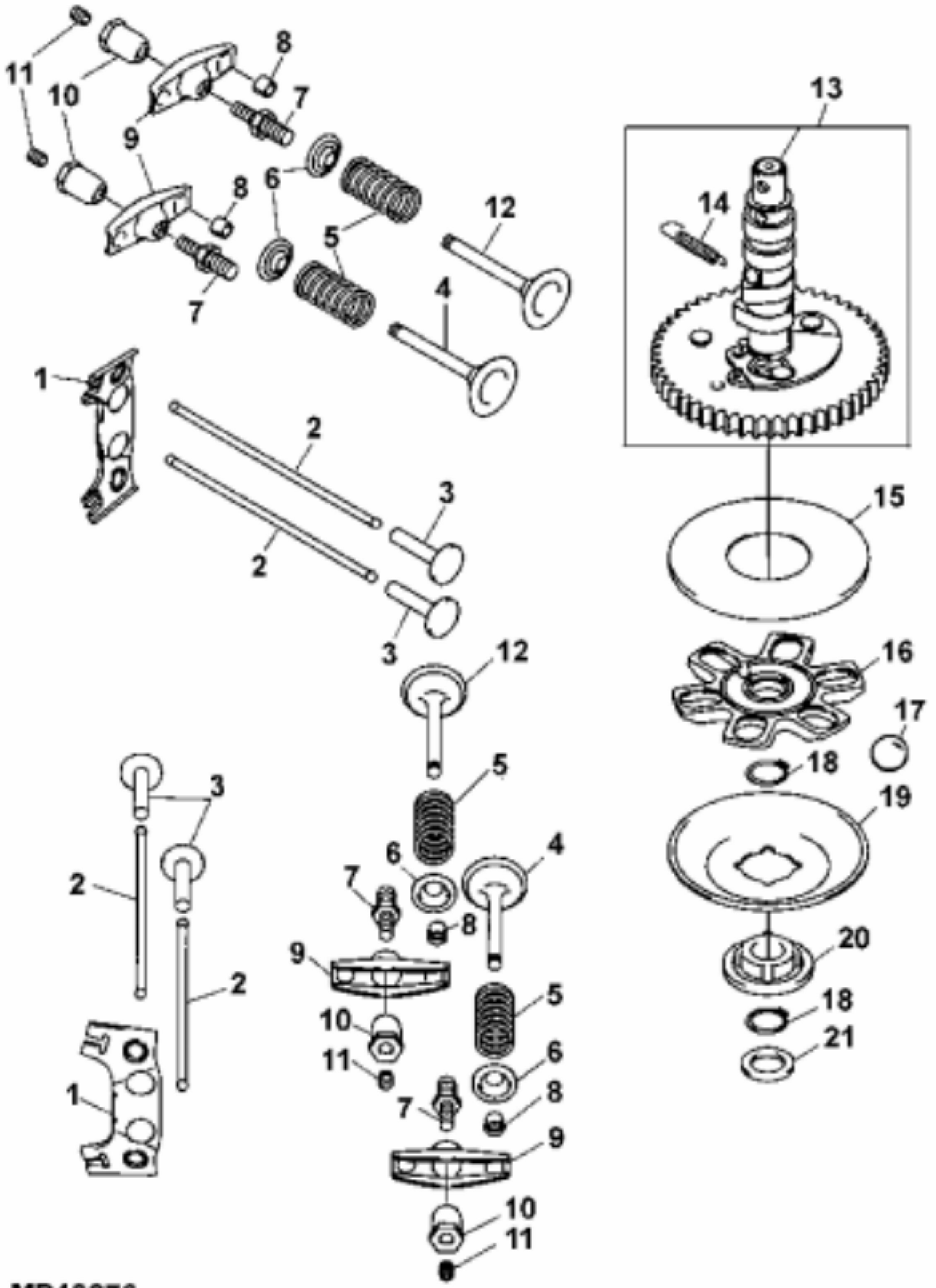
<https://www.ebooklibonline.com>

If the above button click is invalid. Please download this document first, and then click the above link to download the complete manual.

Thank you so much for reading

John Deere > Turf And Utility >TRACTOR, LAWN AND GARDEN >GX255 - TRACTOR, LAWN AND GARDEN >GX255 Lawn Tractor, Mower Deck and MCS >20 ENGINE MM13659 >ST594394 - PISTON AND CRANKSHAFT

KEY	PART NO.	PART NAME	QTY	REMARKS
1	AM128738	PISTON RING KIT	2	
1	AM132069	PISTON RING KIT	1	.50 MM (.020") OS
2	M138398	SNAP RING	4	(SUB FOR M140233)
3	M138397	PISTON PIN	2	
4	M143319	PISTON	2	
4	M146875	PISTON	1	.50 MM (.020") OS
5	MIA10804	CONNECTING ROD	1	(INCLUDES (2) RODS) (SUB FOR AM132025)
6	M146763	BOLT	2	
7	AM133931	CRANKSHAFT	1	



MP19276

<https://www.ebooklibonline.com>

Hello dear friend!

Thank you very much for reading.

Enter the link into your browser.

The full manual is available for immediate download.

<https://www.ebooklibonline.com>