

MP42173

KEY	PART NO.	PART NAME	QTY	Serial No.	REMARKS
1	MIA11848	GASOLINE ENGINE	1	____-020000	NLA; ORDER MIA12082; Engine MARKED GX120UT1-SJD2-NH105; SUB FOR MIA11583
1	MIA12082	GASOLINE ENGINE	1	020001-040000	
1	MIA12210	GASOLINE ENGINE	1	040001-____	Engine MARKED GX120UT2-SJD2-NH1
1	MIA12654	GASOLINE ENGINE	1	050001-____	MARKED GX120UT2-SJD1-NH1
2	19M7864	SCREW	2		M8 X 12
3	12M7032	LOCK WASHER	2		8.400 mm
4	AMT2839	BASE	1		
5	MT3153	ISOLATOR	2		
6	03M7187	BOLT	4		M8 X 35
7	E63525	NUT	4		
8	19M7867	SCREW	1		M8 X 25
9	24M7298	WASHER	1		8.400 X 25 X 2 mm, SUB FOR 24M7207
10	TCU24802	PULLEY	1		
11	49M6496	SHAFT KEY	1		5 X 22 mm
12	19M7866	SCREW	2		M8 X 20

<https://www.ebooklibonline.com>

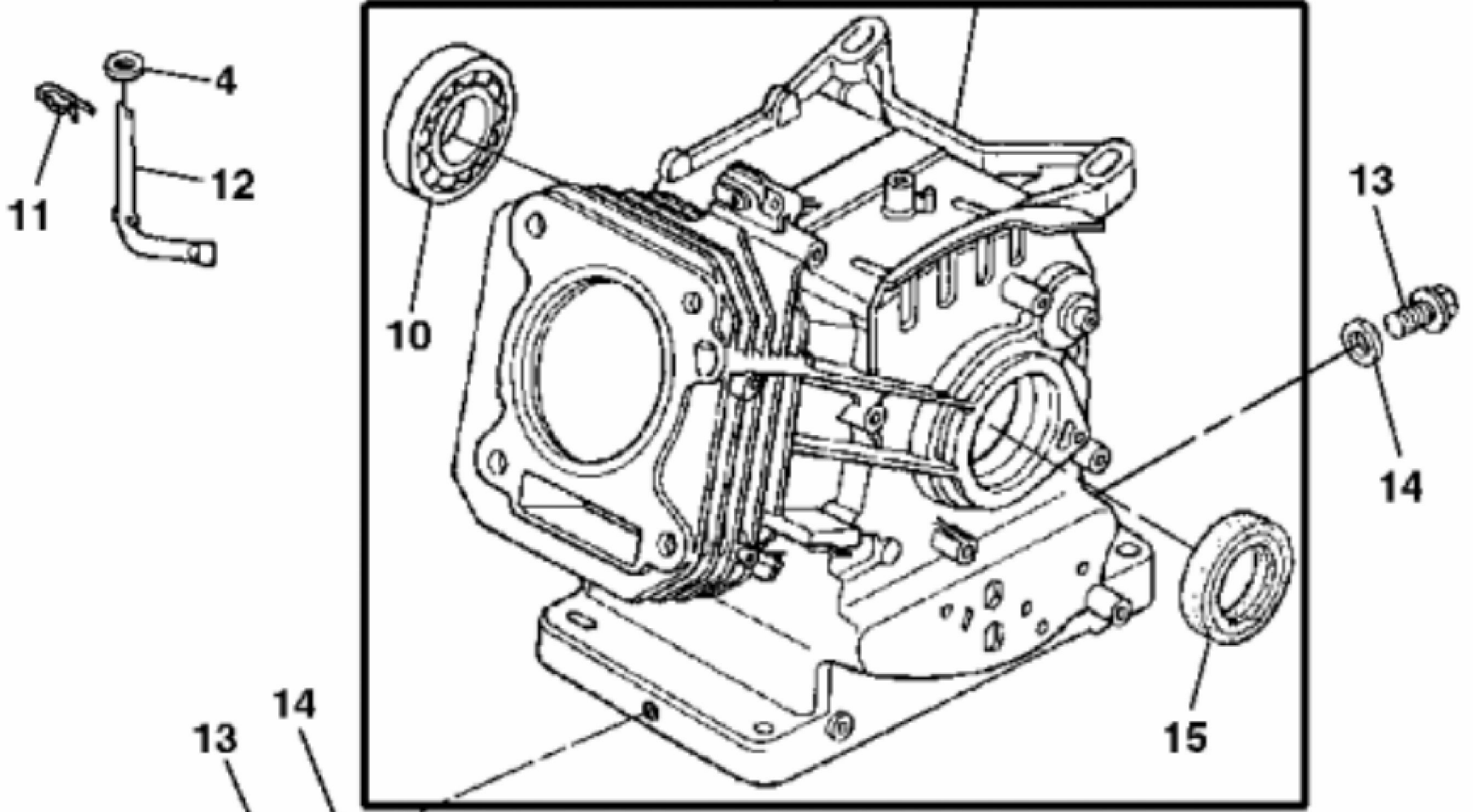
Hello dear friend!

Thank you very much for reading.

Enter the link into your browser.

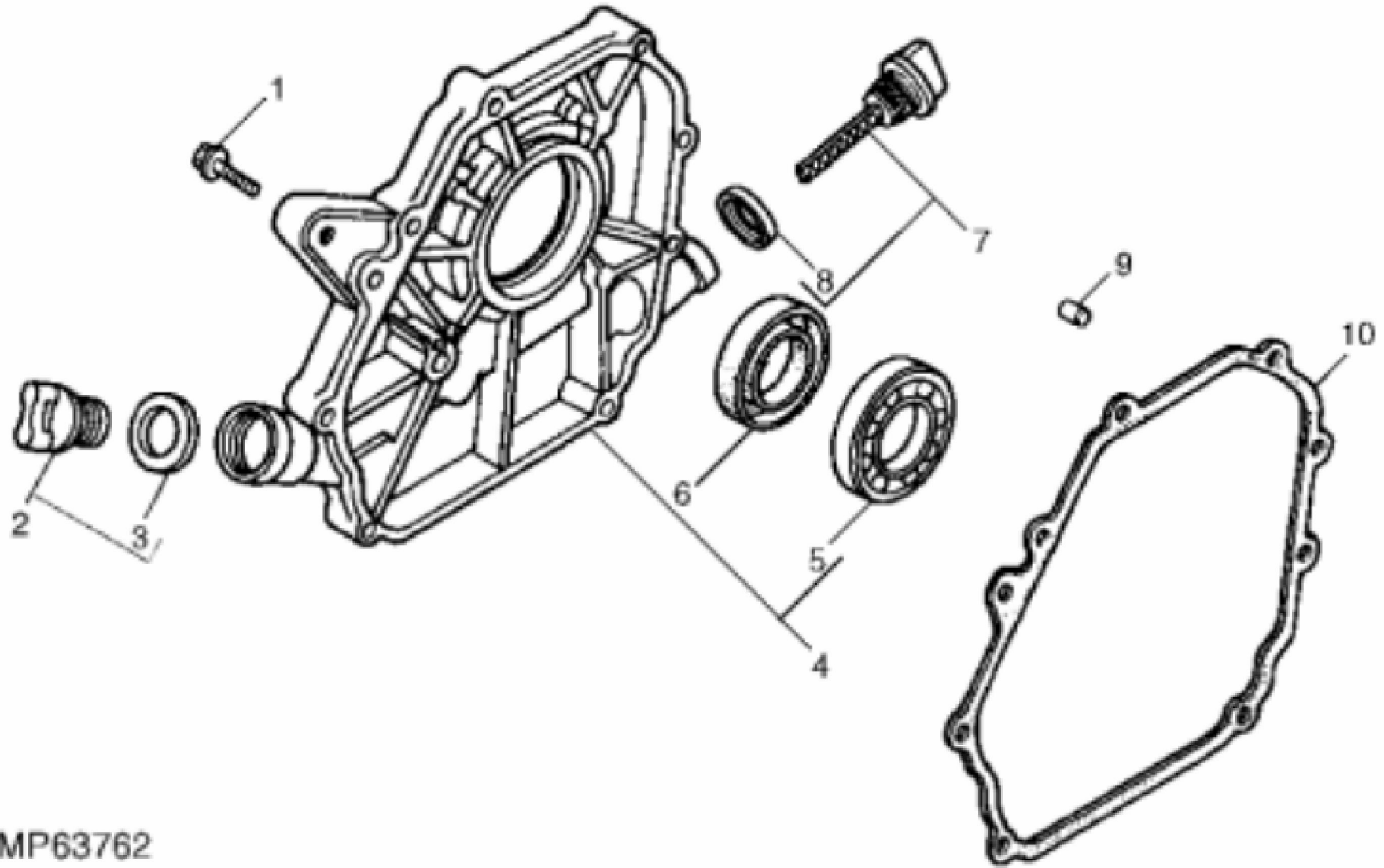
The full manual is available for immediate download.

<https://www.ebooklibonline.com>



MP42180

KEY	PART NO.	PART NAME	QTY	REMARKS	
1	M128214	SLEEVE	1		
2	M128217	THRUST WASHER	1		
3	M128219	CLIP	1		
4	M134750	WASHER	2		
5	M128211	WEIGHT	2		
6	M128212	HOLDER	1		
7	M128213	PIN FASTENER	2		
8	AM123793	GOVERNOR	1		
9	MIA11595	CYLINDER	1		
10	M128220	BALL BEARING	1		
11	M128225	SPRING LOCKING PIN	1		
12	M128215	SHAFT	1		
13	M128216	BOLT	2	Drain Plug	
14	M128218	WASHER	2	Drain Plug	
15	MIU11460	SEAL	1		



MP63762



Suggest:

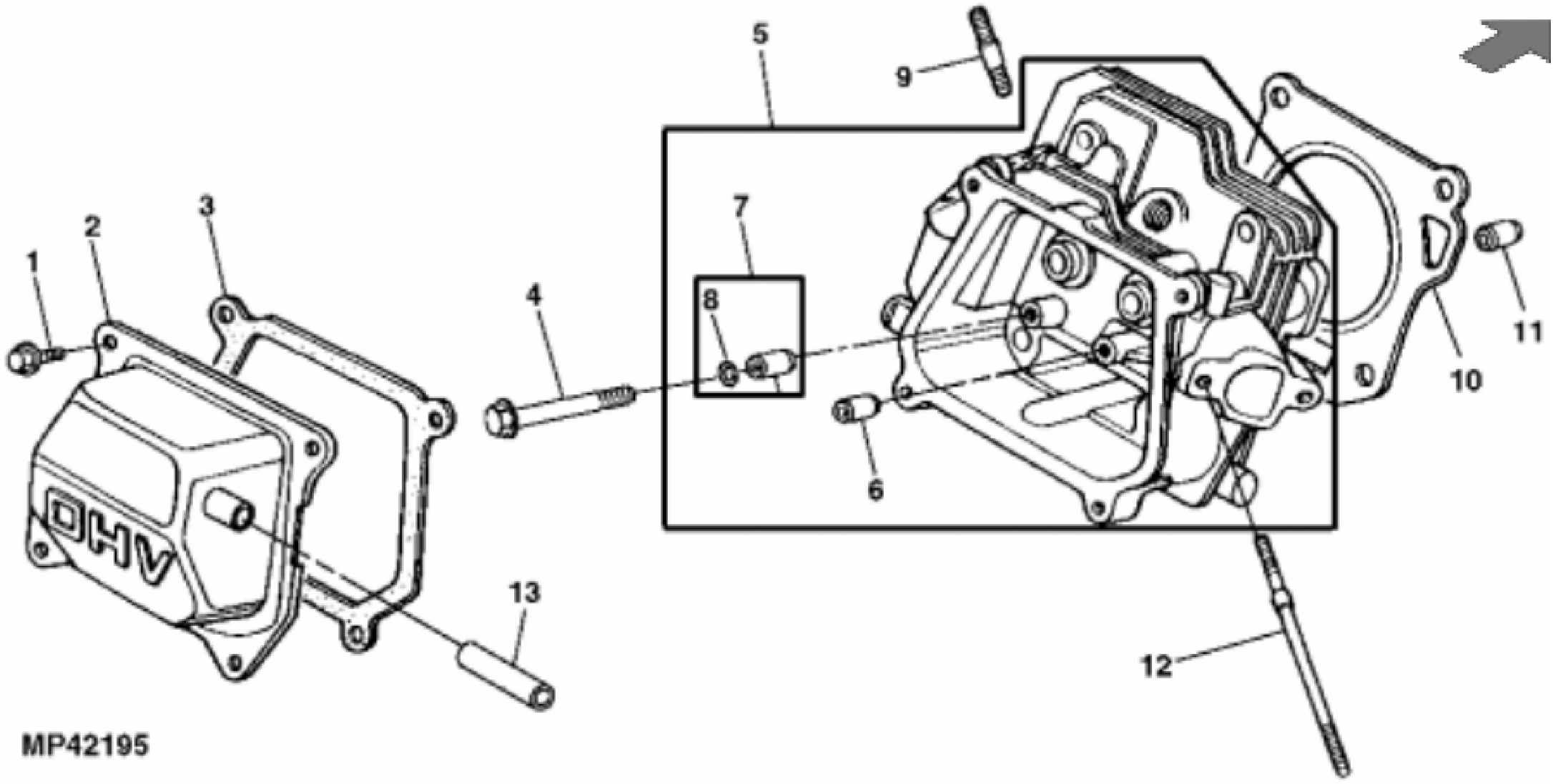
For more complete manuals. Please go to the home page.

<https://www.ebooklibonline.com>

If the above button click is invalid. Please download this document first, and then click the above link to download the complete manual.

Thank you so much for reading

KEY	PART NO.	PART NAME	QTY	REMARKS	
1	37M7104	SCREW	7	M6 X 30	
2	MIA11597	FILLER CAP	1	Oil	
3	MIU12380	GASKET	1	Oil Filter Cap	
4	MIA11043	COVER	1	Crankcase	
5	M128220	BALL BEARING	1		
6	MIU11461	SEAL	1	Oil	
7	MIA11596	DIPSTICK	1		
8	MIU12380	GASKET	1	Oil Filter Cap	
9	M128235	DOWEL PIN	2		
10	M128227	PACKING	1	Case Cover	



MP42195

<https://www.ebooklibonline.com>

Hello dear friend!

Thank you very much for reading.

Enter the link into your browser.

The full manual is available for immediate download.

<https://www.ebooklibonline.com>