

MP5598

John Deere > Turf And Utility > MOWER, RIDING > GX95 - MOWER, RIDING > GX70, GX75 and GX95 Riding Mowers > 20 ENGINE (GX70 AND GX75) > 20-1 - GX70 AND GX75 ENGINE AND SHORTBLOCK  
 MOTEUR ET BLOC COURT MOTOR UND KURZBLOCK MOTORE E BLOCCO CORTO MOTOR Y BLOQUE CORTO MOTOR OCH KORTBLOCK [A16]

KEY	PART NO.	PART NAME	QTY	GX70	GX75	REMARKS
1	AM121920	SHORT BLOCK ASSEMBLY	1			(SUB FOR AM104800)
..	AM115828	ENGINE	1	X		9 HP (FC290V-DS01)
..	AM115829	ELECTRIC MOTOR	1		X	9 HP (FC290V-CS10) (SUB AM121606)
..	AM121606	ENGINE	1		X	9 HP (FC290V-DS10) (SUB AM121631)
..	AM121631	ENGINE	1			(* ) 9 HP (FC290V-FS10) (SUB AM122328)
..	AM122328	GASOLINE ENGINE	1			9 HP (FC290V-GS10) (CARB. CERTIFIED)
..	AM109303	GASKET KIT	1			

**<https://www.ebooklibonline.com>**

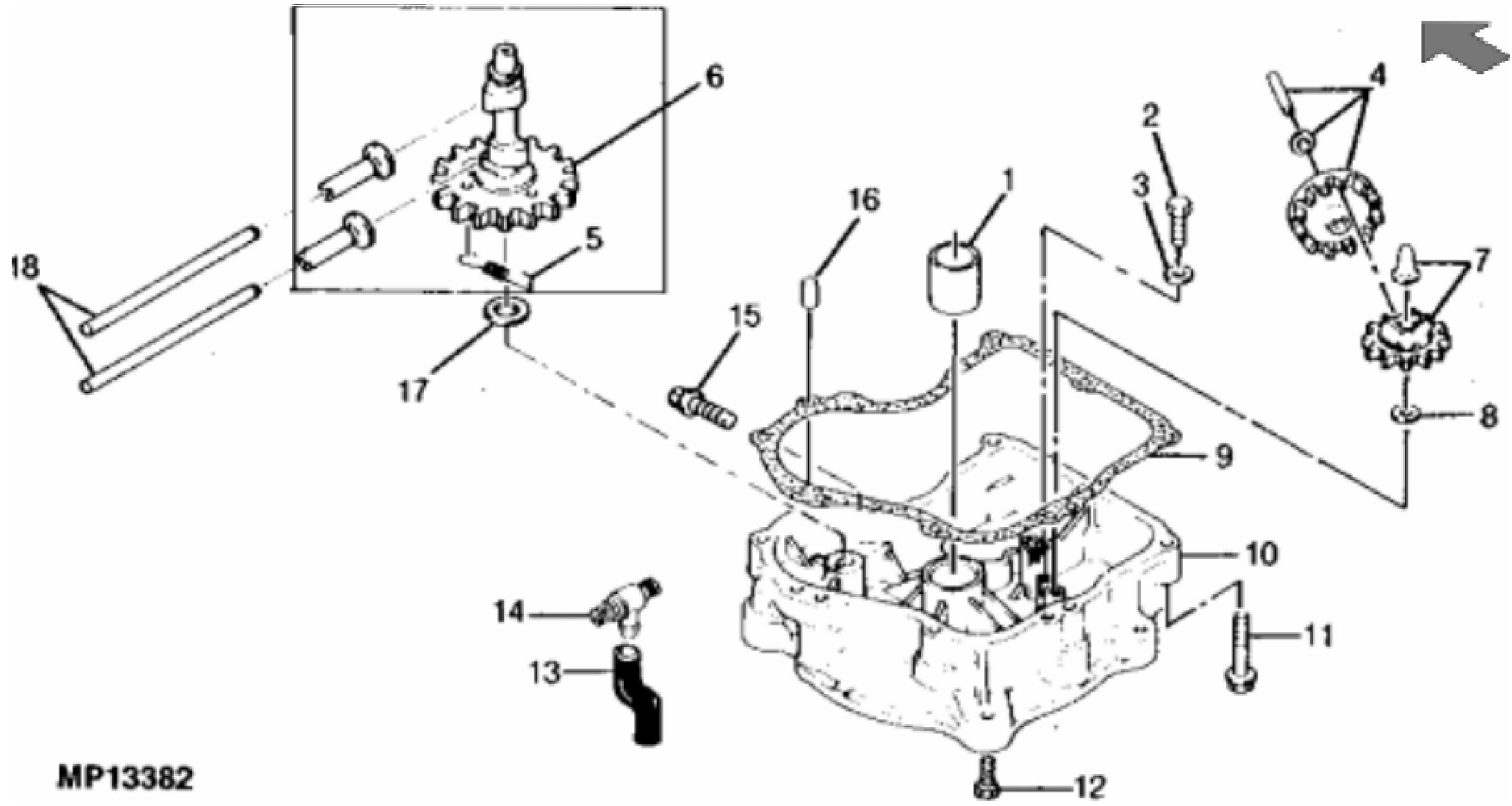
Hello dear friend!

Thank you very much for reading.

Enter the link into your browser.

The full manual is available for immediate download.

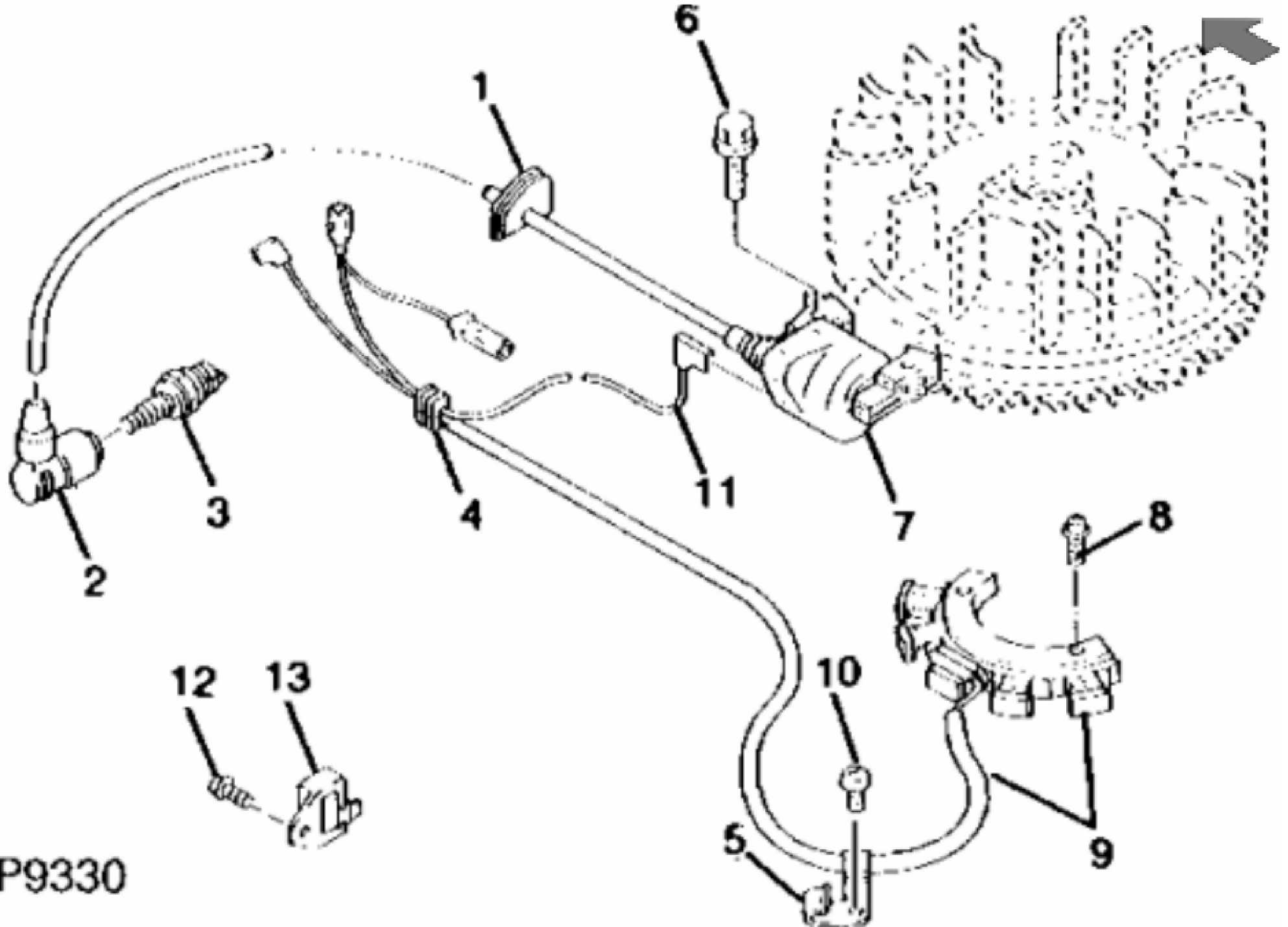
**<https://www.ebooklibonline.com>**



MP13382

John Deere > Turf And Utility > MOWER, RIDING > GX95 - MOWER, RIDING > GX70, GX75 and GX95 Riding Mowers > 20 ENGINE (GX70 AND GX75) > 20-2 - GX70, GX75 ENGINE BASE, OIL SLINGER, GOVERNOR AND CAMSHAFT BASE DU MOTOR, DEFLECTEUR D'HUILE, REGULATEUR ET ARBRE A CAMES MOTORBASIS, OELSCHLEUDERRING, DREHZAHLREGLER UND NOCKENWELLE BASE DEL MOTORE, DEFLETTORE D'OLIO, REGOLATORE ED ALBERO A CAMME BASE [A17]

KEY	PART NO.	PART NAME	QTY	REMARKS
1	M70266	BEARING	1	
2	M70271	BOLT	1	
3	M118372	WASHER	1	(SUB FOR M70272)
4	AM116031	KIT	1	(SUB FOR M70268, M70269 AND M118373)
5	M70214	SPRING	1	
6	AM116032	KIT	1	(SUB FOR AM102608 AND (2) M70213)
7	AM104507	GOVERNOR	1	(SUB FOR AM109189)
8	M95856	WASHER	1	(SUB FOR PT12218)
9	M97281	GASKET	1	(KIT AM109303)
10	AM102622	COVER	1	(INCLUDES M70266)
11	19M8318	SCREW	8	M8 X 45 (HS, HEAD MARKED 10.9)
12	19M7866	SCREW	3	M8 X 20 (HS, HEAD MARKED 10.9)
12	19M7922	CAP SCREW	1	(A) M8 X 40 (HS, HEAD MARKED 10.9) RH FRONT
12	12H334	LOCK WASHER	1	(A) 5/16", RH FRONT
13	M96335	HOSE	1	
14	AM107911	DRAIN VALVE	1	
15	M73312	PLUG	1	
16	M74252	PIN	2	
17	AM102609	SHIM	AR	KIT 1.60 MM (.063") TO 1.95 MM (.078")
18	M70212	PUSH ROD	2	



MP9330



**Suggest:**

**For more complete manuals. Please go to the home page.**

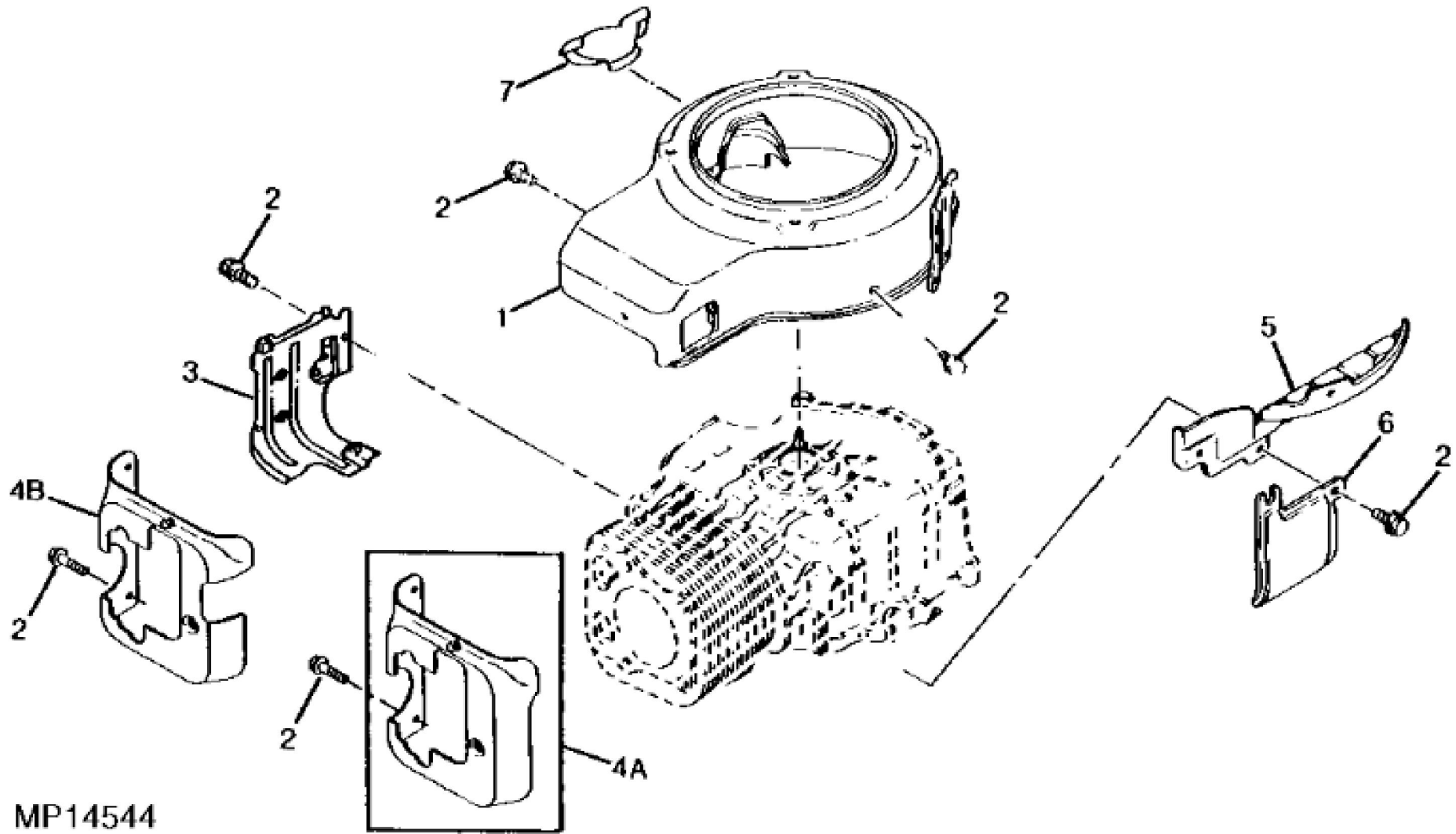
**<https://www.ebooklibonline.com>**

**If the above button click is invalid. Please download this document first, and then click the above link to download the complete manual.**

**Thank you so much for reading**

John Deere > Turf And Utility >MOWER, RIDING >GX95 - MOWER, RIDING >GX70, GX75 and GX95 Riding Mowers >20 ENGINE (GX70 AND GX75) >20-3 - GX70, GX75 ENGINE ELECTRICAL SYSTEM  
 CIRCUIT ELECTRIQUE DU MOTEUR MOTOR-ELEKTRISCHE ANLAGE SISTEMA ELETTRICO DEL MOTORE SISTEMA ELECTRICO DEL MOTOR ELSYSTEM FOER MOTOR [A18]

KEY	PART NO.	PART NAME	QTY	GX75	REMARKS
1	M70118	GROMMET	1		
2	M88905	CAP	1		
3	M802138	SPARK PLUG	1		
4	M88485	GROMMET	1		
5	M70116	CLAMP	1		
6	M70278	BOLT	2		
7	M70276	ELECTRICAL COIL	1		(ENGINE NO. FC290V-DS10)
7	AM121830	FIELD WINDING COIL	1		(ENGINE NO. FC290V-FS10)(FC290V-GS10)
8	21M7206	SCREW	2	X	M6 X 20
8	24M7267	WASHER	2	X	6.400 X 11 X 1.600 MM
9	AM107484	ELECTRICAL COIL	1	X	(GX75)
10	M95848	SCREW	1		
10	24M7087	WASHER	1		5.500 X 10 X 1 MM
11	M70115	WIRE	1		(ENGINE NO. FC290V-DS10)
11	M123682	WIRING LEAD	1		(ENGINE NO. FC290V-FS10)(FC290V-GS10)
12	M88493	SCREW	1	X	
13	M73484	ELECTRICAL COIL	1	X	



**<https://www.ebooklibonline.com>**

Hello dear friend!

Thank you very much for reading.

Enter the link into your browser.

The full manual is available for immediate download.

**<https://www.ebooklibonline.com>**