

HEAD AND CRANKCASE

KEY	PART NO.	PART NAME	QTY	REMARKS
1	M141350	FILTER ELEMENT	1	ORDER MIA11393
1	MIA11393	COVER KIT	1	(Not Illustrated) INCLUDES MIU11731, MIU11732 AND 19M7775
2	21M7244	SCREW	1	M4 X 8, BREATHER
3	M140222	GASKET	1	USE WITH AM134131, AM135292, AM133940, MIA10964 AND MIA10990
3	MIU11731	GASKET	1	
4	M140224	COVER	1	USE WITH AM134131, AM135292, AM133940, MIA10964 AND MIA10990
4	MIU11732	COVER	1	
5	19M7774	SCREW	4	M6 X 12, USE WITH AM134131, AM135292, AM133940, MIA10964 AND MIA10990
5	19M7775	SCREW	4	M6 X 16
6	M149281	SEAL	1	(SUB FOR M138390)
6	M150948	SEAL	1	(USE WITH MIA10990)
7	MIU11322	BOLT	2	SUB FOR M138394
8	M138389	SEAL	4	(ENGINE MARKED FH601V-AS15)
8	M138389	SEAL	4	(ENGINE MARKED FH601V-BS15), (SUB FOR M149280)
9	19M8477	CAP SCREW	4	M6 X 40
10	M140218	CASE	2	ROCKER
11	M140221	GASKET	2	ROCKER CASE
12	MIU11326	BOLT	18	(SUB FOR M138393)
13	MIA10402	CYLINDER HEAD	1	(SUB FOR AM128731 OR AM132473)
14	M138388	PIN	6	
15	M147908	ENGINE CYLINDER HEAD GASKET	2	
16	M138395	STUD	4	NLA; ORDER MIU11736
16	MIU11736	BOLT	4	NLA; ORDER MIU12726
16	MIU12726	STUD	4	
17	M140220	GASKET	1	CRANKCASE COVER
18	AM135296	CYLINDER HEAD	1	(SUB FOR AM128732 OR AM132396)
19	14M7166	LOCK NUT	4	M8
20	M140231	SNAP RING	2	
21	M149282	SEAL	1	(SUB FOR M138391)
22	M138392	SEAL	1	NLA; ORDER M151774; Governor Shaft

<https://www.ebooklibonline.com>

Hello dear friend!

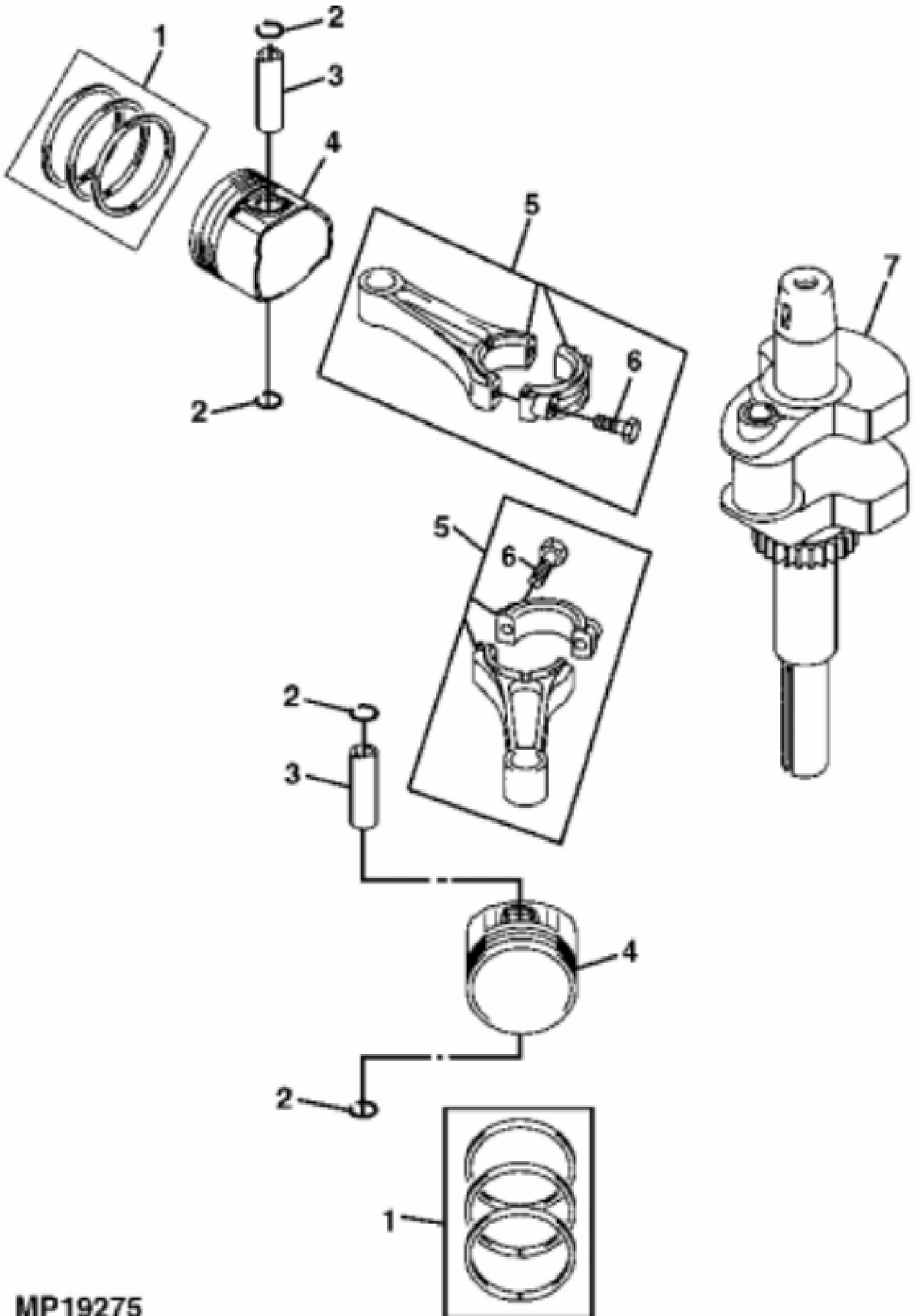
Thank you very much for reading.

Enter the link into your browser.

The full manual is available for immediate download.

<https://www.ebooklibonline.com>

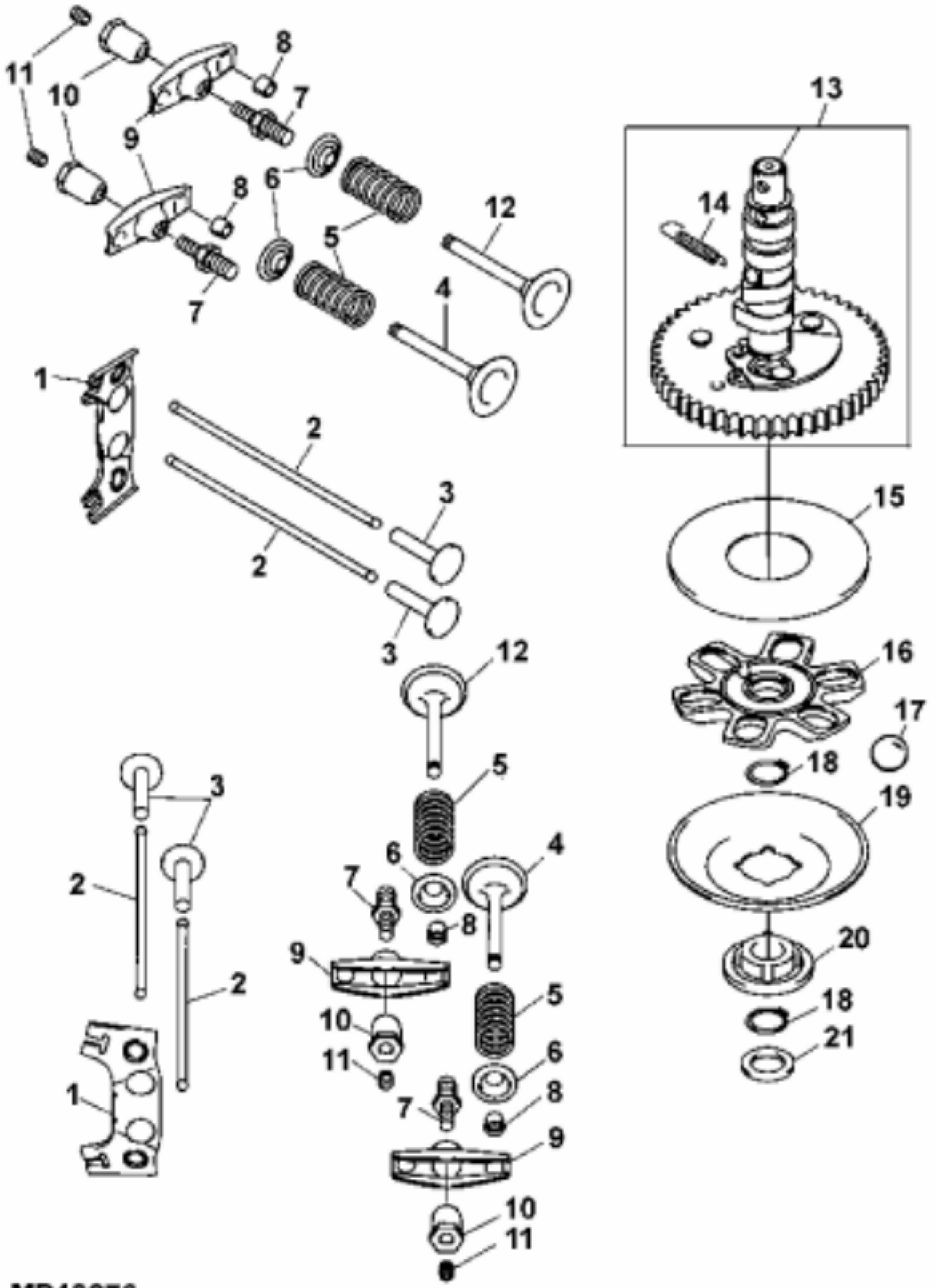
KEY	PART NO.	PART NAME	QTY	REMARKS
22	M151774	SEAL	1	
23	M150449	COVER	1	CRANKCASE, (SUB FOR M140230)
23	MIU11292	COVER	1	(USE WITH MIA10990)
24	M140223	PLATE	1	
25	M140229	VALVE	1	
26	19M7897	SCREW	4	M8 X 35
27	M127431	ADAPTER FITTING	1	
28	AM128737	CRANKCASE	1	(ENGINE MARKED FH601V-AS15) (NLA)
28	AM132504	CRANKCASE	1	(ENGINE MARKED FH601V-BS15)
29	AM131868	GASOLINE ENGINE	1	(Not Illustrated) ORDER MIA10990
29	AM132395	GASOLINE ENGINE	1	(Not Illustrated) ORDER MIA10990
29	AM133908	GASOLINE ENGINE	1	(Not Illustrated) ORDER MIA10990
29	AM134131	GASOLINE ENGINE	1	(Not Illustrated) ORDER MIA10990
29	AM135292	GASOLINE ENGINE	1	(Not Illustrated) ORDER MIA10990
29	AM133940	SHORT BLOCK ASSEMBLY	1	(Not Illustrated) ORDER MIA10990
29	MIA10964	SHORT BLOCK ASSEMBLY	1	(Not Illustrated) ORDER MIA10990
29	MIA10990	SHORT BLOCK ASSEMBLY	1	(Not Illustrated) SUB FOR MIA10991 OR AM132506



MP19275

John Deere > Turf And Utility >TRACTOR, LAWN AND GARDEN >GT245 - TRACTOR, LAWN AND GARDEN >GT245 Lawn Tractor >20 ENGINE (FH601V-AS15, BS15) MM13659 >ST585525 - PISTON AND CRANKSHAFT

KEY	PART NO.	PART NAME	QTY	REMARKS
1	AM128738	PISTON RING KIT	2	
1	AM132069	PISTON RING KIT	1	0.50 MM (0.020") OS
2	M138398	SNAP RING	4	(SUB FOR M140233)
3	M138397	PISTON PIN	2	
4	M143319	PISTON	2	
4	M146875	PISTON	1	0.50 MM (0.020") OS
5	AM128740	CONNECTING ROD	2	(ENGINE MARKED FH601V-AS15)
5	MIA10804	CONNECTING ROD	1	(ENGINE MARKED FH601V-BS15) (INCLUDES 2 RODS), (SUB FOR AM132025)
6	M147310	BOLT	2	MARKED FH601V-AS15; SUB FOR PT12040
6	M146763	BOLT	2	(ENGINE MARKED FH601V-BS15)
7	AM132335	CRANKSHAFT	1	(ENGINE MARKED FH601V-AS15)
7	AM132429	CRANKSHAFT	1	(ENGINE MARKED FH601V-BS15)
7	AM133965	CRANKSHAFT	1	(USE WITH MIA10990)



MP19276



Suggest:

For more complete manuals. Please go to the home page.

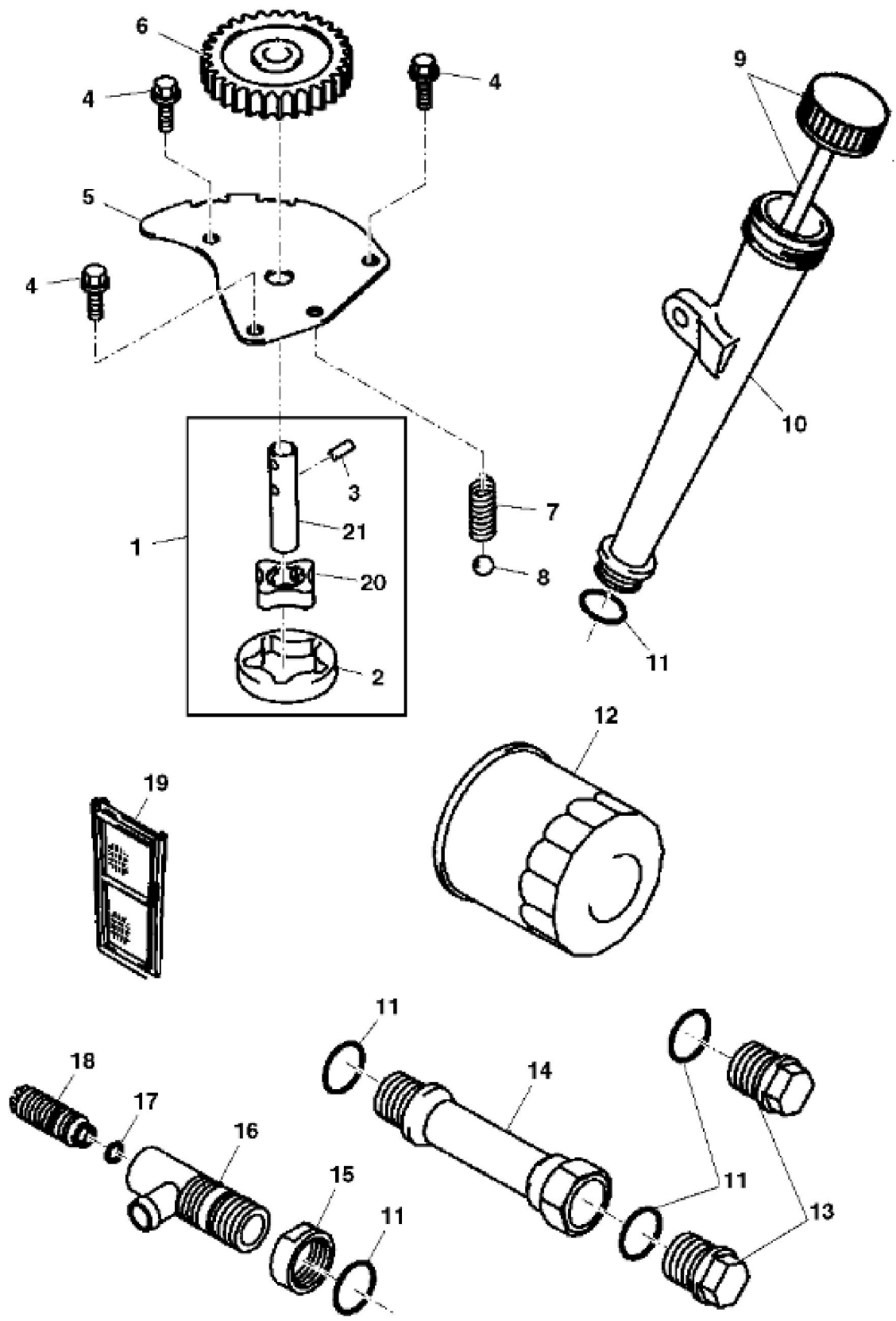
<https://www.ebooklibonline.com>

If the above button click is invalid. Please download this document first, and then click the above link to download the complete manual.

Thank you so much for reading

John Deere > Turf And Utility >TRACTOR, LAWN AND GARDEN >GT245 - TRACTOR, LAWN AND GARDEN >GT245 Lawn Tractor >20 ENGINE (FH601V-AS15, BS15) MM13659 >ST585526 - CAMSHAFT AND VALVES

KEY	PART NO.	PART NAME	QTY	REMARKS
1	M146877	GUIDE	2	PUSH ROD
2	M146879	PUSH ROD	4	
3	M138403	TAPPET	4	
4	M147596	EXHAUST VALVE	2	(SUB FOR M140235)
5	M140241	SPRING	4	
6	M138401	RETAINER	4	
7	M146881	BOLT	4	
8	M118845	RETAINER	4	(2 HALVES EACH)
9	M146876	ROCKER ARM	4	
10	M92891	NUT	4	
11	M138410	SCREW	4	
12	M140234	INTAKE VALVE	2	
13	AM130638	CAMSHAFT	1	(SUB MIA10793) (ALSO ORDER M146882 AND MIU11231)
14	M138413	EXTENSION SPRING	1	
15	M140240	PLATE	1	
16	M140238	GUIDE	1	
17	MIU10971	BALL	6	(SUB FOR M138412)
18	M138411	SNAP RING	2	
19	M146880	PLATE	1	(SUB FOR M138406)
20	MIU10708	SLEEVE	1	NLA;ORDER MIU13044; SUB FOR M138408 OR M149875
20	MIU13044	SLEEVE	1	
21	M138415	WASHER	1	



<https://www.ebooklibonline.com>

Hello dear friend!

Thank you very much for reading.

Enter the link into your browser.

The full manual is available for immediate download.

<https://www.ebooklibonline.com>