

PU08899

KEY	PART NO.	PART NAME	QTY	Serial No.	REMARKS
1	MIA11901	GASOLINE ENGINE	1		ORDER MIA12080; MARKED 44P777-0277-G1
1	MIA12080	GASOLINE ENGINE	1		ORDER MIA12237; MARKED 44P777-0277-G5
1	MIA12237	GASOLINE ENGINE	1		ORDER MIA12447; MARKED 44P777-0289-G5
1	MIA12447	GASOLINE ENGINE	1		ORDER MIA12627; MARKED 44P777-0188-G5; For USA
1	MIA12627	GASOLINE ENGINE	1	____-050000	For California
1	MIA12446	GASOLINE ENGINE	1	080045-200000	ORDER MIA12623; MARKED 44P777-0286-B2
1	MIA12930	GASOLINE ENGINE	1	____-500000	MARKED 44S877-0038-G1; For USA
1	MIA12623	GASOLINE ENGINE	1	____-200000	MARKED 44R677-0001-G1; For Canada and ROW
1	MIA13110	GASOLINE ENGINE	1	500001-810000	MARKED 44S977-0026-G1; ORDER AUC10162; SUB FOR MIA12862, MIA12625, MIA12236, MIA12081, MIA11902
1	AUC10162	GASOLINE ENGINE	1	810001-____	MARKED 44S977-0029-G1

**<https://www.ebooklibonline.com>**

Hello dear friend!

Thank you very much for reading.

Enter the link into your browser.

The full manual is available for immediate download.

**<https://www.ebooklibonline.com>**



KEY	PART NO.	PART NAME	QTY	Serial No.	REMARKS
1	UC11104	DIPSTICK	1		SUB FOR LG499602
2	LG691031	O-RING	1		
3	LG691036	DIPSTICK	1		
4	LG691032	SEAL	1		
5	LG691037	OIL TUBE	1		
6	M153266	SCREW	1		
7	LG391086S	SEAL	1		
8	MIA11778	SEAL KIT	1		
9	LG690959	DOWEL PIN	6		
10	MIA13076	CYLINDER	1	____-700000	SUB FOR MIA12510 AND MIA11033
10	MIA13213	CYLINDER	1	700001-810000	
10	MIA13208	CYLINDER	1	810001-____	
11	MIU14436	GASKET	1	____-500000	SUB FOR M150226 AND MIU13979
11	.....	GASKET	1	500001-____	MF PM37469; Crankcase
12	MIU12140	SCREEN	1		
13	15H623	PIPE PLUG	1		3/8"
14	LG690954	THREADED NIPPLE	1		
15	15H638	PIPE PLUG	1		1/8"
16	MIU11958	SEAL	1		
17	MIU11284	SEAL	1		Governor Crank
18	MIU12503	BUSHING	1		Governor Crank
19	MIA11584	RESERVOIR	1	____-700000	INCLUDES MIA11464 AND MIU12143
19	MIA13209	RESERVOIR	1	700001-____	
20	AM125424	OIL FILTER	1		
21	LG690957	RETAINER	1		
22	MIU11502	BREATHER	1		
23	37H74	SCREW	3	____-300000	
23	LG691108	SCREW	3	300001-____	
24	MIU14443	TUBE	1		SUB FOR MIU11280
25	LG690937	GASKET	1		
26	MIA10872	BREATHER	1	____-200000	
27	M142896	SCREW	10		
28	LG691045	CRANK	1		Governor
29	M142282	BUSHING	2		
30	M142286	RETAINER	2		



**Suggest:**

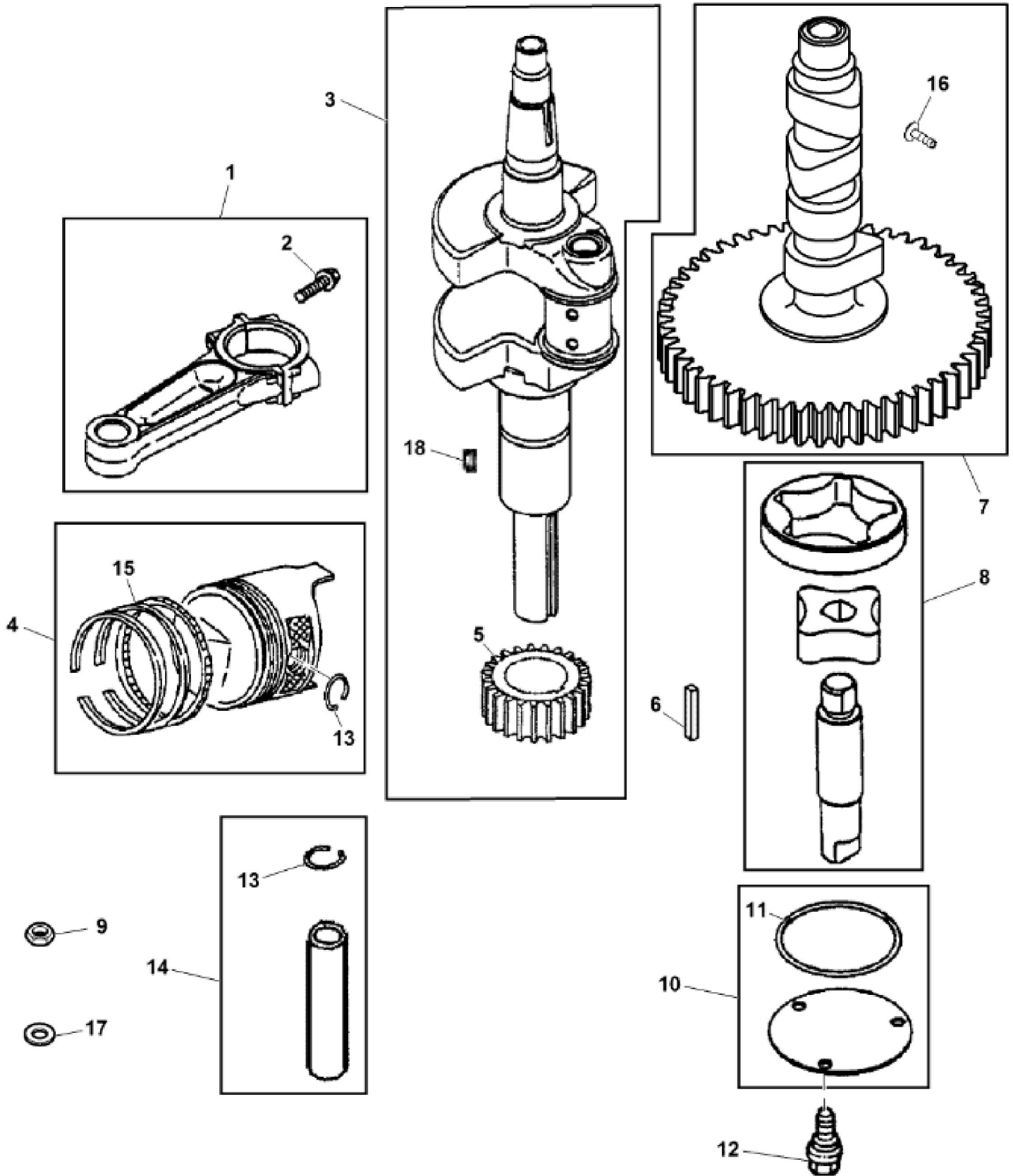
**For more complete manuals. Please go to the home page.**

**<https://www.ebooklibonline.com>**

**If the above button click is invalid. Please download this document first, and then click the above link to download the complete manual.**

**Thank you so much for reading**

KEY	PART NO.	PART NAME	QTY	Serial No.	REMARKS
31	M142280	WASHER	2		
32	GX24210	SCREW	4		SUB FOR GC00331; Engine Mounting
33	AM131611	DRAIN PLUG	1		Oil Drain
34	.....	TUBE	1		
35	T77932	O-RING	1		
36	M144897	CAP	1		
37	PM37469	LIQUID GASKET	1		
38	LG692125	CAP SCREW	1		
39	MIA11464	COVER	1		
40	MIU12143	OIL PUMP	1		
41	MIU12142	SCREW	3		
42	MIU12153	SEAL	1		
43	UC12131	PIN	1	810001-_____	



**<https://www.ebooklibonline.com>**

Hello dear friend!

Thank you very much for reading.

Enter the link into your browser.

The full manual is available for immediate download.

**<https://www.ebooklibonline.com>**