

PU05786

| KEY | PART NO. | PART NAME       | QTY | Serial No.    | REMARKS   |
|-----|----------|-----------------|-----|---------------|---|
| 1   | MIA12623 | GASOLINE ENGINE | 1   | ____-600000   | (For Australia, Canada, Europe and 49 States) MARKED 44R677-0001-G1; ORDER MIA13108; SUB FOR MIA11896, MIA12074, MIA12231, MIA12443, MIA11897, MIA12075, MIA12230 OR MIA12442 |
| 1   | MIA12623 | GASOLINE ENGINE | 1   | ____-100000   | (For California) MARKED 44R677-0001-G1; ORDER MIA13108; SUB FOR MIA11896, MIA12074, MIA12231, MIA12443, MIA11897, MIA12075, MIA12230 OR MIA12442                              |
| 1   | MIA12861 | GASOLINE ENGINE | 1   | 600001-700000 | (For Australia, Canada, Europe and 49 States) MARKED 44N677-0001-G1; ORDER MIA13108   |
| 1   | MIA12861 | GASOLINE ENGINE | 1   | 100001-700000 | (For California) MARKED 44N677-0001-G1; ORDER MIA13108  |
| 1   | MIA13108 | GASOLINE ENGINE | 1   | 700001-810000 | (For Australia, Canada, Europe and 49 States) (For California) MARKED 44N677-0018-G1; ORDER AUC10160  |
| 1   | AUC10160 | GASOLINE ENGINE | 1   | 810001-____   | (For Australia, Canada, Europe and 49 States) (For California) MARKED 44N677-0031-G1  |

**<https://www.ebooklibonline.com>**

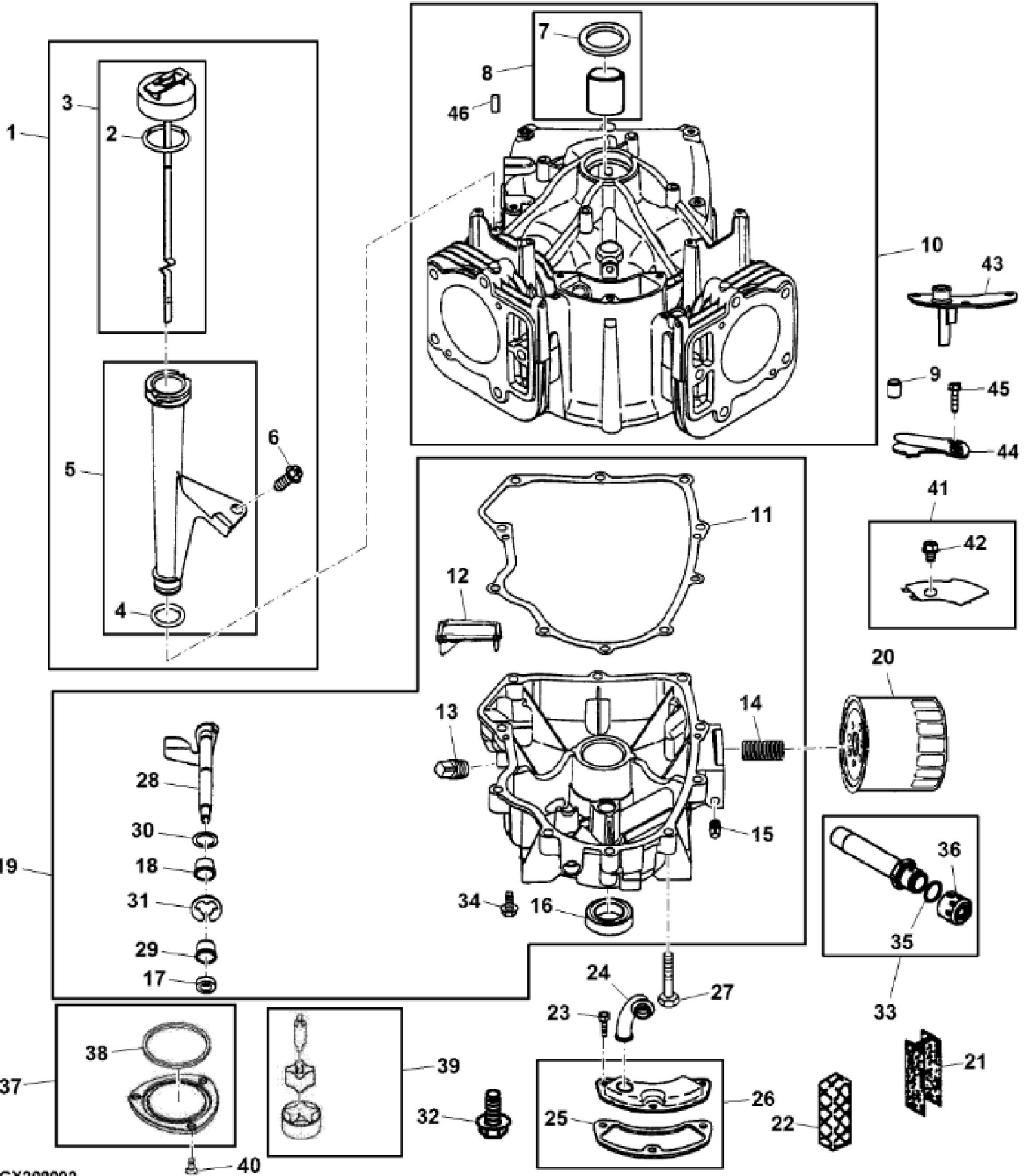
Hello dear friend!

Thank you very much for reading.

Enter the link into your browser.

The full manual is available for immediate download.

**<https://www.ebooklibonline.com>**



GX308993

| KEY | PART NO.  | PART NAME       | QTY | Serial No.    | REMARKS  |
|-----|-----------|-----------------|-----|---------------|--|
| 1   | UC11104   | DIPSTICK        | 1   |               | SUB FOR LG499602   |
| 2   | LG691031  | O-RING          | 1   |               |  |
| 3   | LG691036  | DIPSTICK        | 1   |               |  |
| 4   | LG691032  | SEAL            | 1   |               |  |
| 5   | LG691037  | OIL TUBE        | 1   |               |  |
| 6   | M153266   | SCREW           | 1   |               |  |
| 7   | LG391086S | SEAL            | 1   |               |  |
| 8   | MIA11778  | SEAL KIT        | 1   |               |  |
| 9   | LG690959  | DOWEL PIN       | 1   |               |  |
| 10  | MIA13087  | CYLINDER        | 1   | ____-500000   | (For Australia and USA (Not California)) SUB FOR MIA11345 OR MIA12493  |
| 10  | MIA13076  | CYLINDER        | 1   | 500001-700000 | (For Australia and USA (Not California)) SUB FOR MIA12510  |
| 10  | MIA13087  | CYLINDER        | 1   | ____-200000   | (For Canada and Europe) SUB FOR MIA11345 OR MIA12493   |
| 10  | MIA13076  | CYLINDER        | 1   | 200001-700000 | (For Canada and Europe) SUB FOR MIA12510   |
| 10  | MIA13087  | CYLINDER        | 1   | ____-050000   | (For California Only) SUB FOR MIA11345 OR MIA12493   |
| 10  | MIA13076  | CYLINDER        | 1   | 050001-700000 | (For California Only) SUB FOR MIA12510   |
| 10  | MIA13213  | CYLINDER        | 1   | 700001-810000 | (For Australia and USA (Not California)) (For Canada and Europe) (For California Only)   |
| 10  | MIA13208  | CYLINDER        | 1   | 810001-____   | (For Australia and USA (Not California)) (For Canada and Europe) (For California Only)   |
| 11  | MIU14436  | GASKET          | 1   | ____-700000   | SUB FOR MIU13979 AND M150226   |
| 11  | .....     | GASKET          | 1   | 700001-____   | MF PM37469; Crankcase  |
| 12  | MIU12140  | SCREEN          | 1   |               |  |
| 13  | 15H623    | PIPE PLUG       | 1   |               | 3/8"   |
| 14  | LG690954  | THREADED NIPPLE | 1   |               |  |
| 15  | 15H638    | PIPE PLUG       | 1   |               | 1/8"   |
| 16  | MIU11958  | SEAL            | 1   |               |  |
| 17  | MIU11284  | SEAL            | 1   |               |  |
| 18  | MIU12503  | BUSHING         | 1   |               |  |
| 19  | MIA11584  | RESERVOIR       | 1   | ____-700000   | (For Australia and USA (Not California)) (For Canada and Europe) (For California Only) INCLUDES MIA11464, MIU12143 ANDMIU12142 |



**Suggest:**

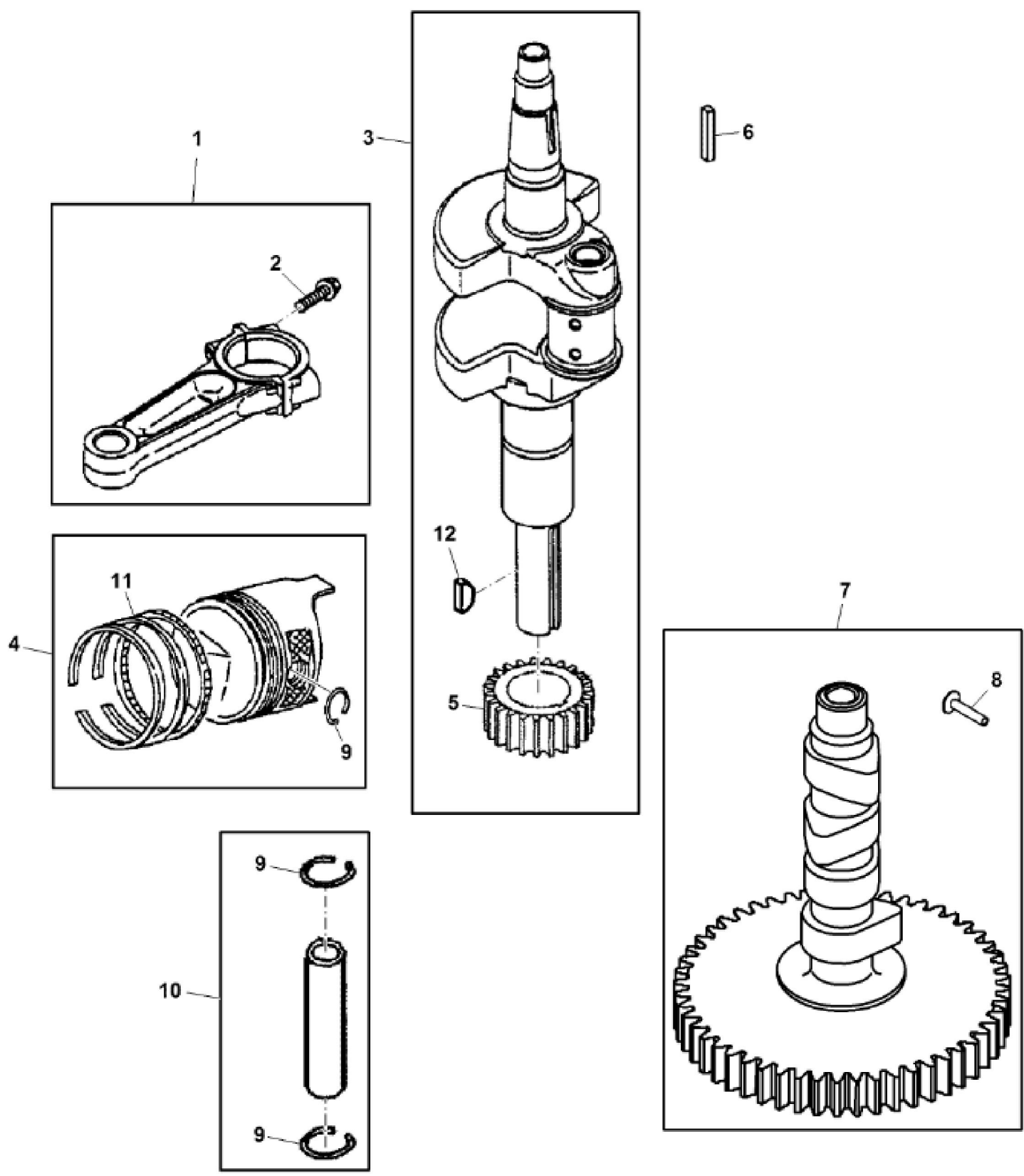
**For more complete manuals. Please go to the home page.**

**<https://www.ebooklibonline.com>**

**If the above button click is invalid. Please download this document first, and then click the above link to download the complete manual.**

**Thank you so much for reading**

| KEY | PART NO. | PART NAME  | QTY | Serial No.  | REMARKS  |
|-----|----------|------------|-----|-------------|--|
| 19  | MIA13209 | RESERVOIR  | 1   | 700001-____ | (For Australia and USA (Not California)) (For Canada and Europe) (For California Only) |
| 20  | AM125424 | OIL FILTER | 1   |             |  |
| 21  | LG690957 | RETAINER   | 1   |             |  |
| 22  | MIU11502 | BREATHER   | 1   |             |  |
| 23  | LG691108 | SCREW      | 3   |             |  |
| 24  | MIU14443 | TUBE       | 1   | 700001-____ | SUB FOR MIU11280   |
| 25  | LG690937 | GASKET     | 1   |             |  |
| 26  | MIA10872 | BREATHER   | 1   | ____-700000 | INCLUDES MIU14443  |
| 27  | M142896  | SCREW      | 10  |             |  |
| 28  | LG691045 | CRANK      | 1   |             |  |
| 29  | M142282  | BUSHING    | 2   |             |  |
| 30  | M142280  | WASHER     | 1   |             |  |
| 31  | M142286  | RETAINER   | 1   |             |  |
| 32  | GX24210  | SCREW      | 4   |             | SUB FOR GC00331  |
| 33  | AM131611 | DRAIN PLUG | 1   |             |  |
| 34  | M145924  | TUBE       | 1   |             |  |
| 35  | T77932   | O-RING     | 1   |             |  |
| 36  | M144897  | CAP        | 1   |             |  |
| 37  | MIA11464 | COVER      | 1   |             |  |
| 38  | MIU12153 | SEAL       | 1   |             |  |
| 39  | MIU12143 | OIL PUMP   | 1   |             |  |
| 40  | MIU12142 | SCREW      | 3   |             |  |
| 41  | MIA13077 | PLATE      | 1   | 700001-____ |  |
| 42  | MIU14464 | SCREW      | 1   | 700001-____ |  |
| 43  | MIU14444 | COVER      | 1   | 700001-____ |  |
| 44  | MIU14445 | VALVE      | 1   | 700001-____ |  |
| 45  | MIU14448 | SCREW      | 1   | 700001-____ |  |
| 46  | UC12131  | PIN        | 1   | 700001-____ |  |
| 47  | LG692125 | CAP SCREW  | 1   |             | (Not Illustrated)  |



GX287671

**<https://www.ebooklibonline.com>**

Hello dear friend!

Thank you very much for reading.

Enter the link into your browser.

The full manual is available for immediate download.

**<https://www.ebooklibonline.com>**