

PU05786

KEY	PART NO.	PART NAME	QTY	Serial No.	REMARKS
1	MIA12623	GASOLINE ENGINE	1	____-600000	(For Australia, Canada, Europe and USA (Not California)) MARKED 44R677-0001-G1; ORDER MIA13108; SUB FOR MIA11896, MIA12074, MIA12231, MIA12443, MIA11897, MIA12075, MIA12230 OR MIA12442
1	MIA12623	GASOLINE ENGINE	1	____-100000	(For California Only) MARKED 44R677-0001-G1; ORDER MIA13108; SUB FOR MIA11896, MIA12074, MIA12231, MIA12443, MIA11897, MIA12075, MIA12230 OR MIA12442
1	MIA12861	GASOLINE ENGINE	1	600001-700000	(For Australia, Canada, Europe and USA (Not California)) MARKED 44N677-0001-G1; ORDER MIA13108
1	MIA12861	GASOLINE ENGINE	1	100001-700000	(For California Only) MARKED 44N677-0001-G1; ORDER MIA13108
1	MIA13108	GASOLINE ENGINE	1	700001-810000	(For Australia, Canada, Europe and USA (Not California)) (For California Only) MARKED 44N677-0018-G1; ORDER AUC10160
1	AUC10160	GASOLINE ENGINE	1	810001-____	(For Australia, Canada, Europe and USA (Not California)) (For California Only) MARKED 44N677-0031-G1

**<https://www.ebooklibonline.com>**

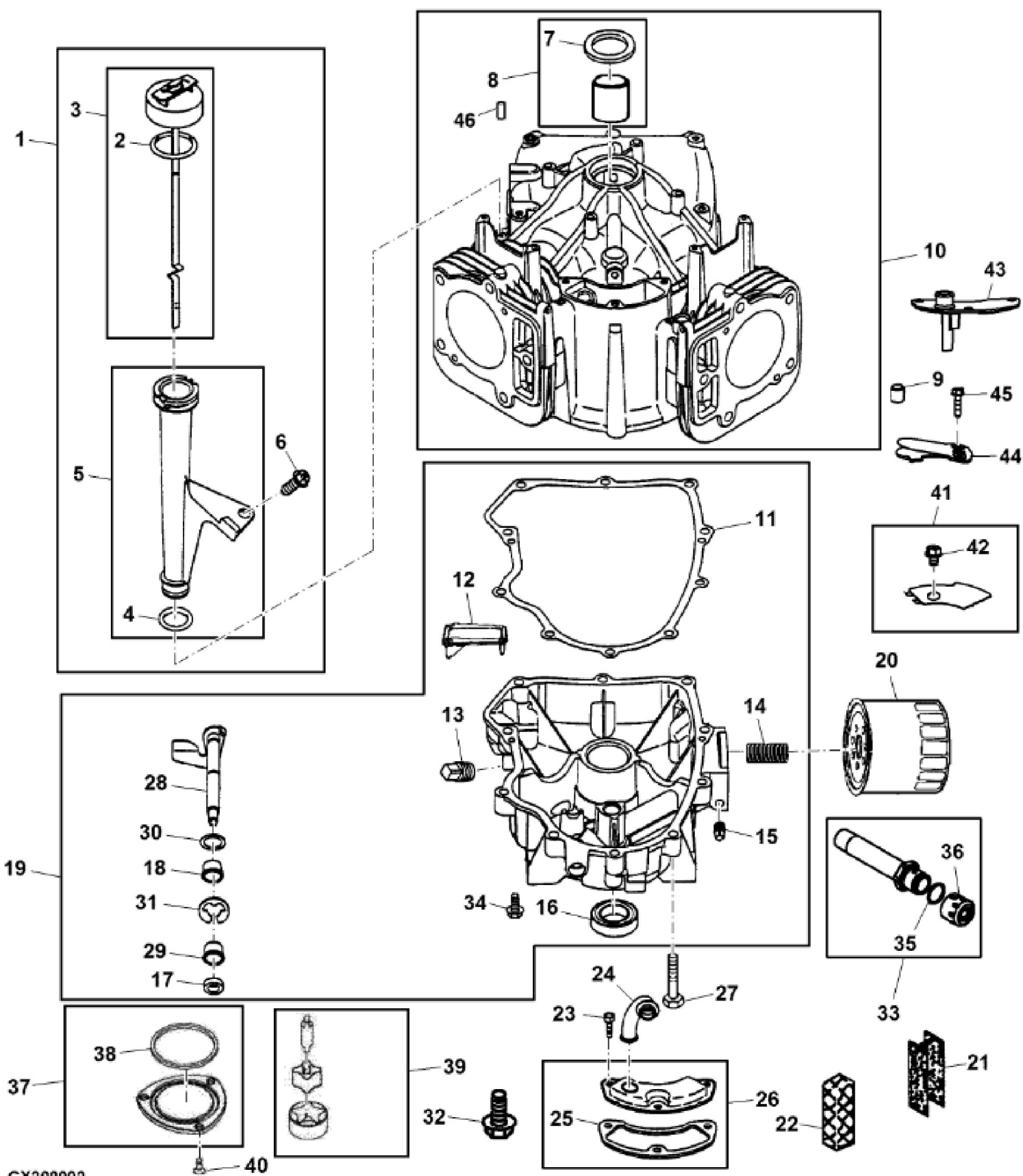
Hello dear friend!

Thank you very much for reading.

Enter the link into your browser.

The full manual is available for immediate download.

**<https://www.ebooklibonline.com>**



GX308993

KEY	PART NO.	PART NAME	QTY	Serial No.	REMARKS
1	UC11104	DIPSTICK	1		SUB FOR LG499602
2	LG691031	O-RING	1		
3	LG691036	DIPSTICK	1		
4	LG691032	SEAL	1		
5	LG691037	OIL TUBE	1		
6	M153266	SCREW	1		
7	LG391086S	SEAL	1		
8	MIA11778	SEAL KIT	1		
9	LG690959	DOWEL PIN	1		
10	MIA13087	CYLINDER	1	____-500000	(For Australia and USA (Not California)) SUB FOR MIA11345 OR MIA12493
10	MIA13076	CYLINDER	1	500001-700000	(For Australia and USA (Not California)) SUB FOR MIA12510
10	MIA13087	CYLINDER	1	____-200000	(For Canada and Europe) SUB FOR MIA11345 OR MIA12493
10	MIA13076	CYLINDER	1	200001-700000	(For Canada and Europe) SUB FOR MIA12510
10	MIA13087	CYLINDER	1	____-050000	(For California Only) SUB FOR MIA11345 OR MIA12493
10	MIA13076	CYLINDER	1	050001-700000	(For California Only) SUB FOR MIA12510
10	MIA13213	CYLINDER	1	700001-810000	(For Australia and USA (Not California)) (For Canada and Europe) (For California Only)
10	MIA13208	CYLINDER	1	810001-____	(For Australia and USA (Not California)) (For Canada and Europe) (For California Only)
11	MIU14436	GASKET	1	____-700000	SUB FOR MIU13979 AND M150226
11	.....	GASKET	1	700001-____	MF PM37469; Crankcase
12	MIU12140	SCREEN	1		
13	15H623	PIPE PLUG	1		3/8"
14	LG690954	THREADED NIPPLE	1		
15	15H638	PIPE PLUG	1		1/8"
16	MIU11958	SEAL	1		
17	MIU11284	SEAL	1		
18	MIU12503	BUSHING	1		
19	MIA11584	RESERVOIR	1	____-700000	(For Australia and USA (Not California)) (For Canada and Europe) (For California Only) INCLUDES MIA11464, MIU12143 ANDMIU12142



**Suggest:**

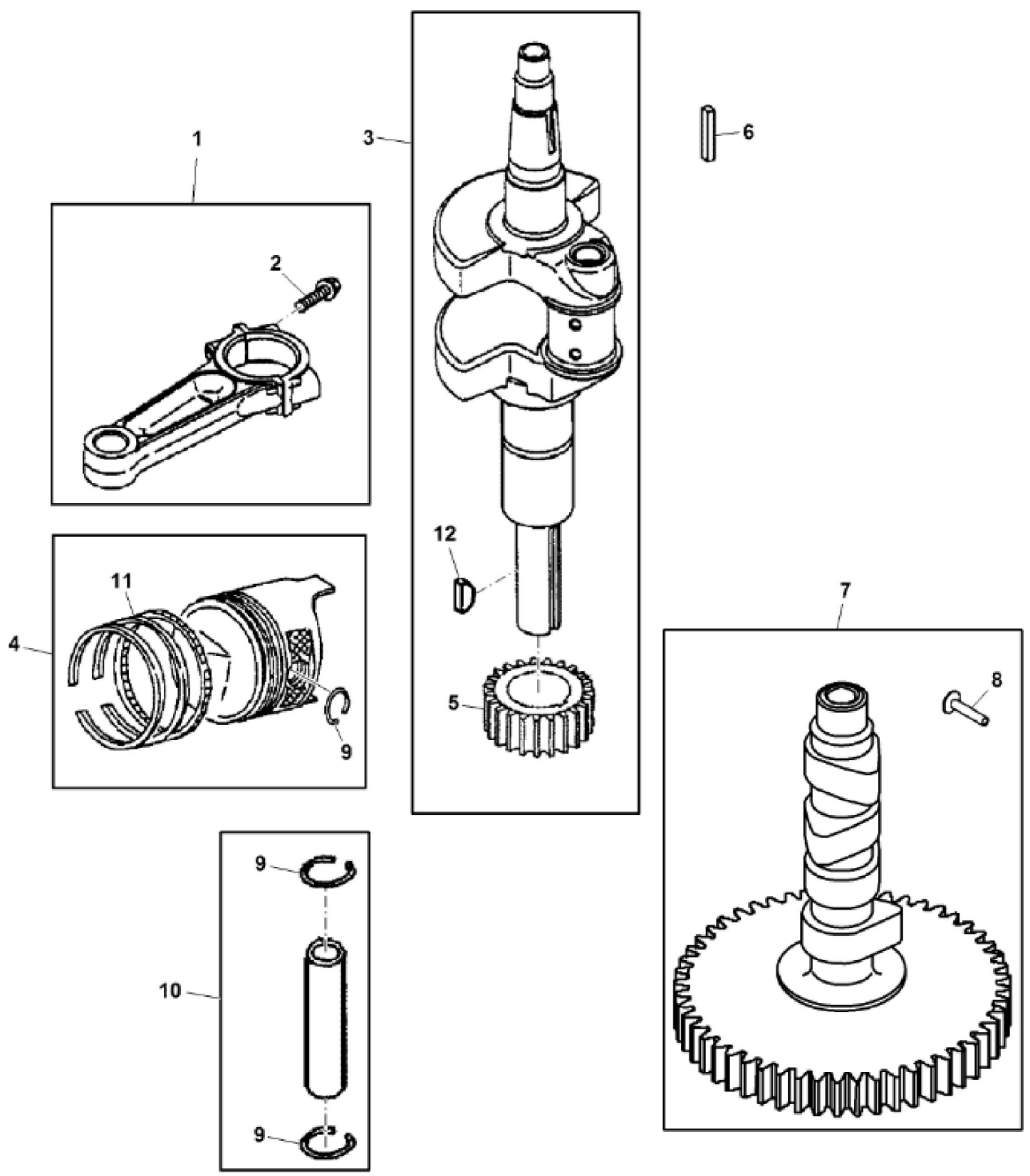
**For more complete manuals. Please go to the home page.**

**<https://www.ebooklibonline.com>**

**If the above button click is invalid. Please download this document first, and then click the above link to download the complete manual.**

**Thank you so much for reading**

KEY	PART NO.	PART NAME	QTY	Serial No.	REMARKS
19	MIA13209	RESERVOIR	1	700001-____	(For Australia and USA (Not California)) (For Canada and Europe) (For California Only)
20	AM125424	OIL FILTER	1		
21	LG690957	RETAINER	1		
22	MIU11502	BREATHER	1		
23	LG691108	SCREW	3		
24	MIU14443	TUBE	1	700001-____	SUB FOR MIU11280
25	LG690937	GASKET	1		
26	MIA10872	BREATHER	1	____-700000	INCLUDES MIU14443
27	M142896	SCREW	10		
28	LG691045	CRANK	1		
29	M142282	BUSHING	2		
30	M142280	WASHER	1		
31	M142286	RETAINER	1		
32	GX24210	SCREW	4		SUB FOR GC00331
33	AM131611	DRAIN PLUG	1		
34	M145924	TUBE	1		
35	T77932	O-RING	1		
36	M144897	CAP	1		
37	MIA11464	COVER	1		
38	MIU12153	SEAL	1		
39	MIU12143	OIL PUMP	1		
40	MIU12142	SCREW	3		
41	MIA13077	PLATE	1	700001-____	
42	MIU14464	SCREW	1	700001-____	
43	MIU14444	COVER	1	700001-____	
44	MIU14445	VALVE	1	700001-____	
45	MIU14448	SCREW	1	700001-____	
46	UC12131	PIN	1	700001-____	
47	LG692125	CAP SCREW	1		(Not Illustrated)



GX287671

**<https://www.ebooklibonline.com>**

Hello dear friend!

Thank you very much for reading.

Enter the link into your browser.

The full manual is available for immediate download.

**<https://www.ebooklibonline.com>**