

PU02956

KEY	PART NO.	PART NAME	QTY	Serial No.	REMARKS
1	MIA12221	GASOLINE ENGINE	1		ORDER MIA12433; Engine MARKED 31G777-0171-G5
1	MIA12433	GASOLINE ENGINE	1		ORDER MIA12617; MARKED 31G777-0306-G5
1	MIA12434	GASOLINE ENGINE	1		ORDER MIA12617; MARKED 31G777-0205-G5
1	MIA12617	GASOLINE ENGINE	1		ORDER MIA12858; MARKED 31R977-0001-G1
1	MIA12858	GASOLINE ENGINE	1	____-810000	MARKED 31R977-0034-G1
1	AUC10157	GASOLINE ENGINE	1	810001-____	MARKED 31R977-0052-G1

<https://www.ebooklibonline.com>

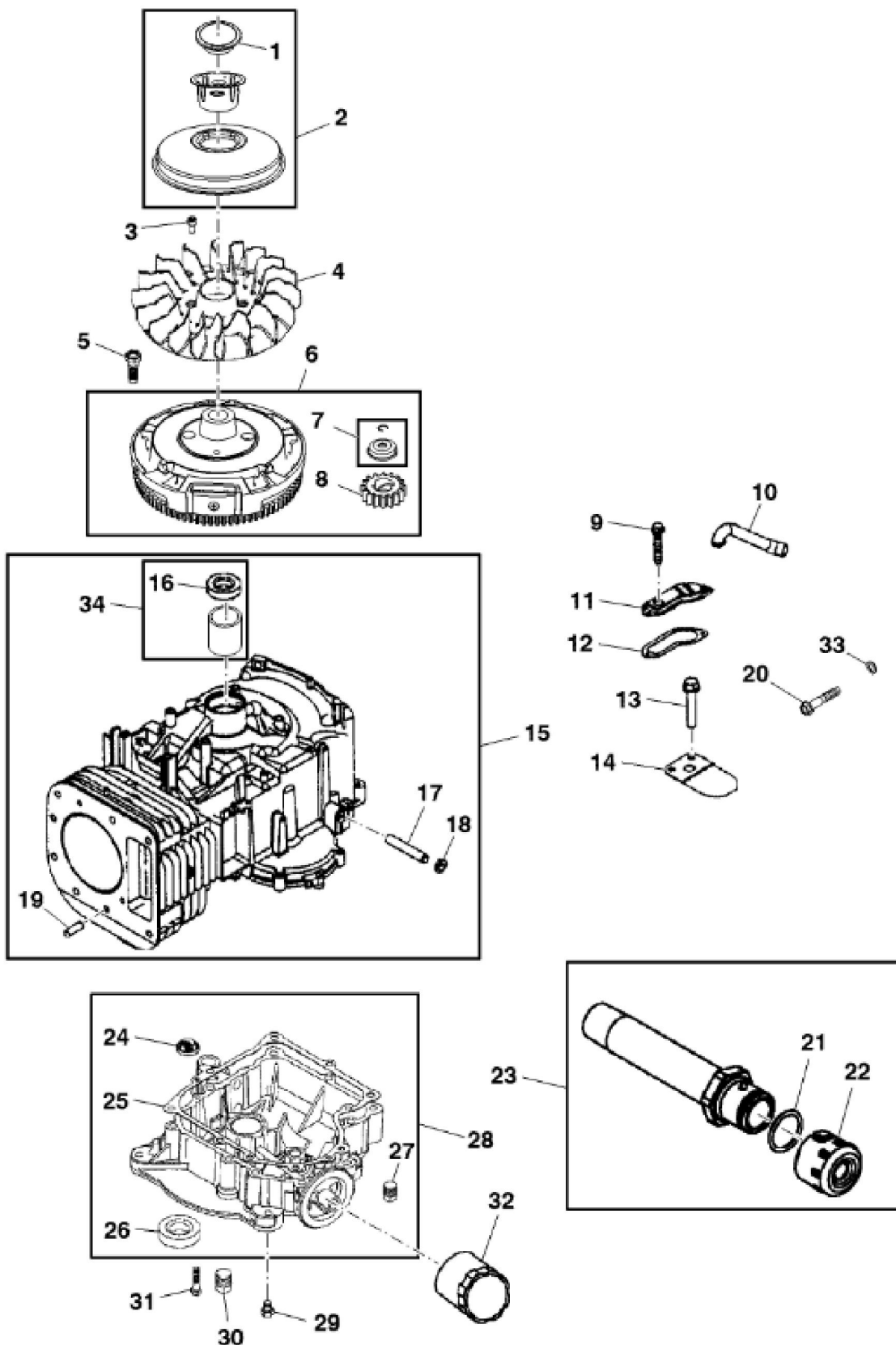
Hello dear friend!

Thank you very much for reading.

Enter the link into your browser.

The full manual is available for immediate download.

<https://www.ebooklibonline.com>



KEY	PART NO.	PART NAME	QTY	REMARKS
1	MIU11635	CAP	1	
2	MIA13017	SCREEN KIT	1	SUB FOR MIA11525
3	MIU12152	SCREW	2	
4	MIU12139	FAN	1	Flywheel
5	M153303	SCREW	1	
6	AM135134	FLYWHEEL	1	USE WITH MIA12221
6	MIA12501	FLYWHEEL	1	
7	LG691265	SNAP RING	1	
8	LG693713	PINION	1	
9	M147508	SCREW	2	
10	MIU11682	TUBE	1	
11	MIU11631	COVER	1	Breather Passage
12	M147564	GASKET	1	
13	M147507	SCREW	1	
14	M147501	BREATHER	1	Reed
15	MIA11419	CYLINDER	1	
16	LG391086S	SEAL	1	Oil
17	M147497	BUSHING	1	Governor
18	LG692407	SEAL	1	Governor
19	LG690959	DOWEL PIN	2	
20	MIU14366	SCREW	10	SUB FOR MIU11632
21	T77932	O-RING	1	
22	M144897	CAP	1	
23	AM131611	OIL TUBE	1	Drain
24	MIU12709	SCREEN	1	
25	M147513	GASKET	1	
26	MIU11958	SEAL	1	PTO Side
27	15H638	PIPE PLUG	1	1/8"
28	AM135143	RESERVOIR	1	ORDER MIA12717
28	MIA12717	RESERVOIR	1	
29	GX24210	SCREW	4	Engine Mounting
30	15H623	PIPE PLUG	1	3/8"
31	LG692125	CAP SCREW	10	
32	AM125424	OIL FILTER	1	
33	MIU12155	WASHER	1	



Suggest:

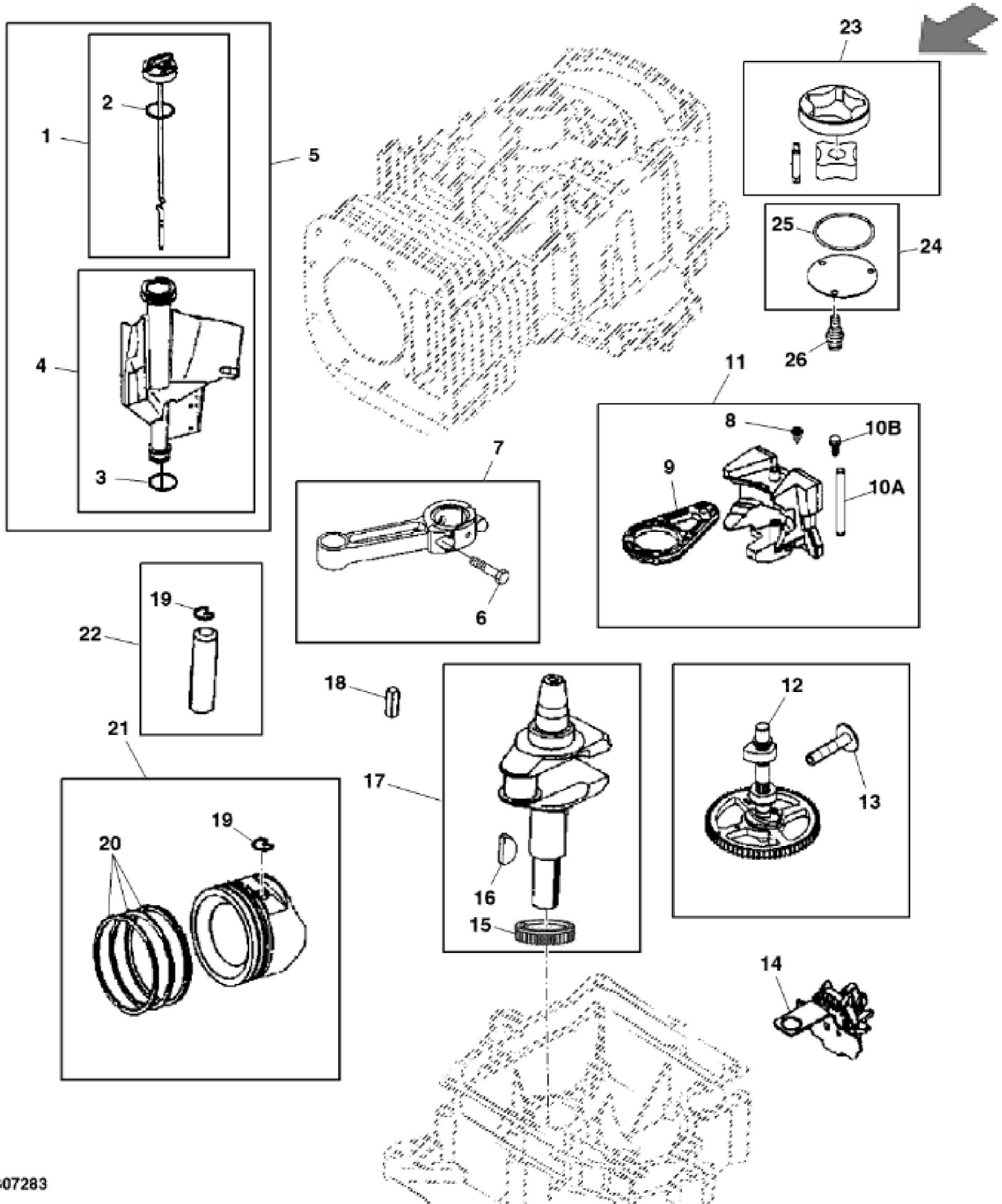
For more complete manuals. Please go to the home page.

<https://www.ebooklibonline.com>

If the above button click is invalid. Please download this document first, and then click the above link to download the complete manual.

Thank you so much for reading

KEY	PART NO.	PART NAME	QTY	REMARKS	
34	MIA11778	SEAL KIT	1	Magneto Side	



<https://www.ebooklibonline.com>

Hello dear friend!

Thank you very much for reading.

Enter the link into your browser.

The full manual is available for immediate download.

<https://www.ebooklibonline.com>