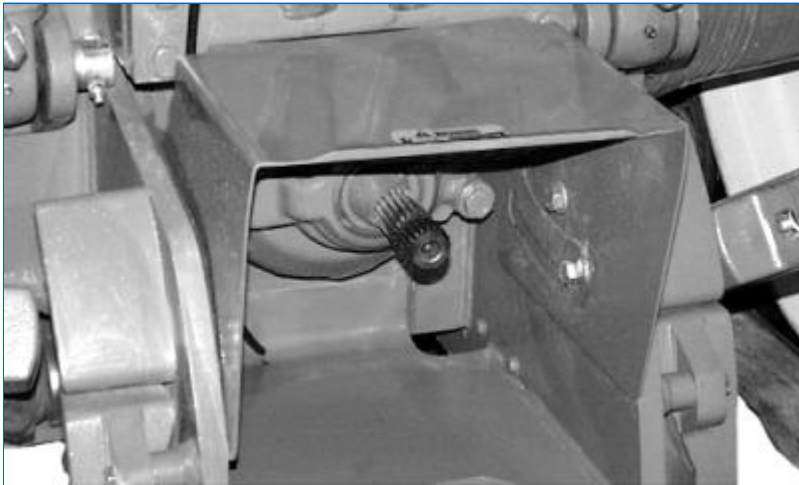
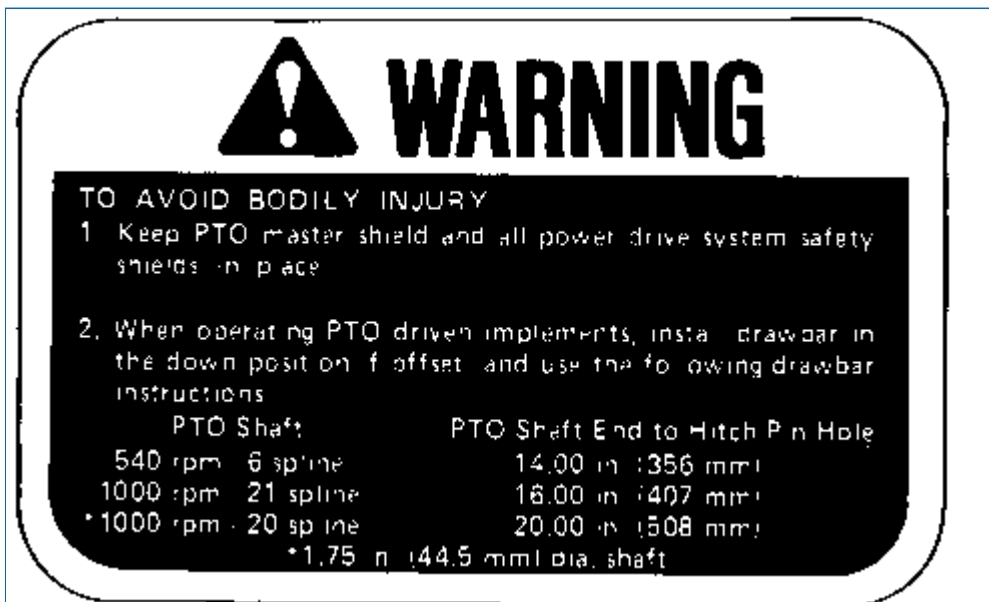


omar172616 - 9300T and 9400T Tractors (090258-091000) PTO Driveline

PTO Driveline



RW26586-UN: PTO Driveline Decal



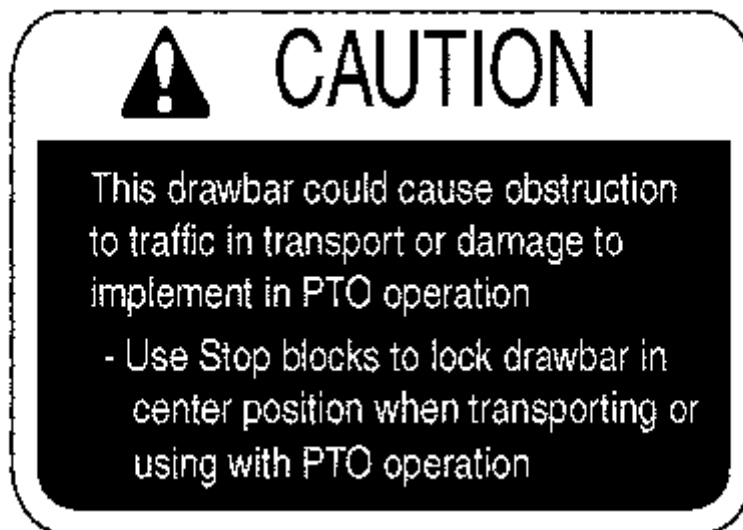
RW10950-19: PTO Driveline Decal

omar172616 - 9300T and 9400T Tractors (090258-091000)
Wide Swing Drawbar

Wide Swing Drawbar



RW26873-UN: Wide swing Drawbar



RW26862-19: Drawbar Decal

<https://www.ebooklibonline.com>

Hello dear friend!

Thank you very much for reading.

Enter the link into your browser.

The full manual is available for immediate download.

<https://www.ebooklibonline.com>

omar172616 - 9300T and 9400T Tractors (090258-091000) Avoiding High-Pressure Fluid

Avoiding High-Pressure Fluid



RW26866-UN: Accumulator Decal



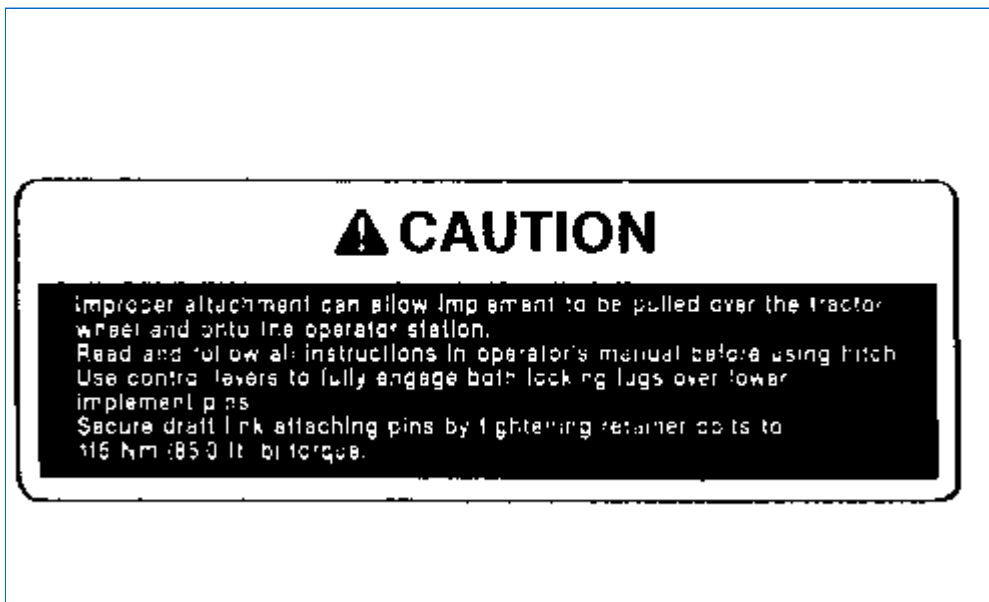
RW26558-19: Safety Decal

omar172616 - 9300T and 9400T Tractors (090258-091000) Couple Implement Securely

Couple Implement Securely



RW26057-UN: Fasten Implement Securely Decal

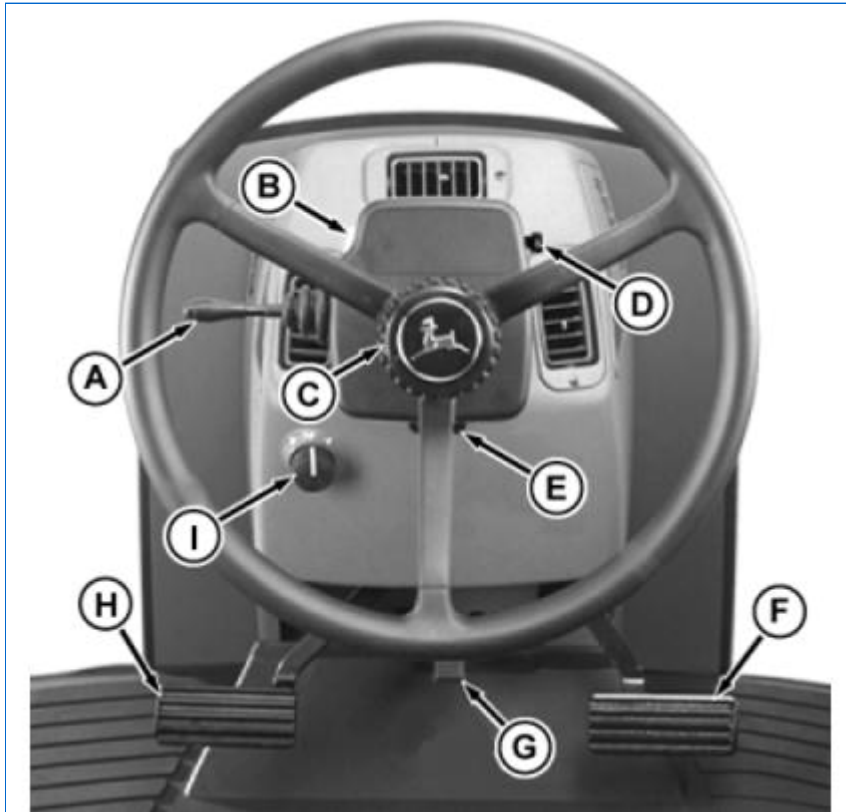


RW55095-19: Fasten Implement Securely Decal

omar172616 - 9300T and 9400T Tractors (090258-091000)

Front Console

Front Console



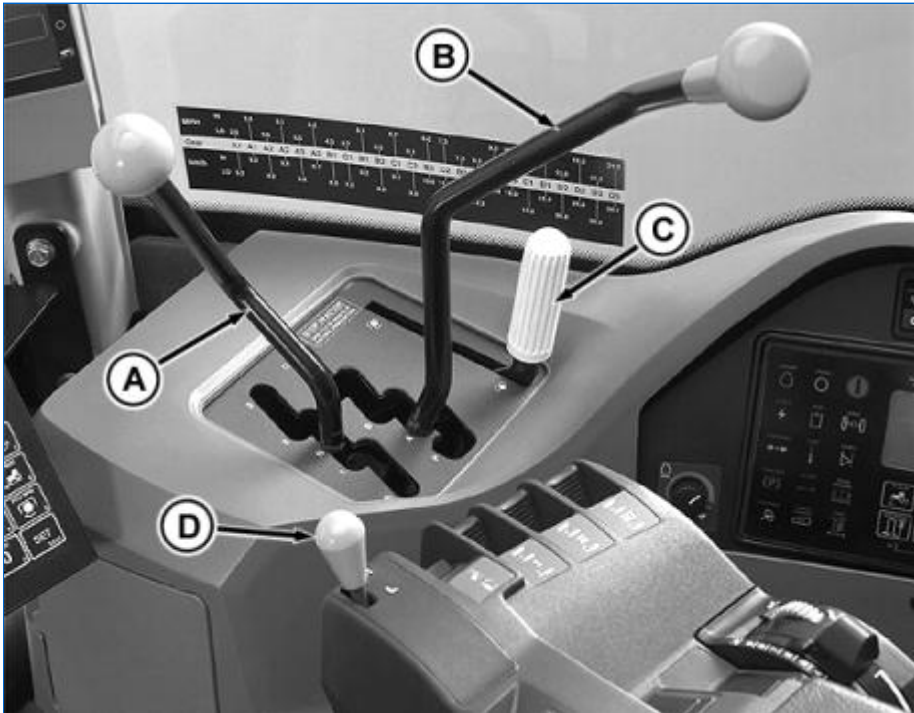
RW26061-UN: Front Console-Controls/Instruments

LEGEND:

- A - Turn Signal Lever, Dimmer Switch, Horn, Flash-to-Pass
- B - Ether Aid Switch
- C - Steering Wheel Telescope Release
- D - Key Switch
- E - Steering Wheel Tilt Release
- F - Brake Pedal
- G - Steering Column Foot Release
- H - Clutch Pedal
- I - Air Flow Direction Knob

omar172616 - 9300T and 9400T Tractors (090258-091000) Shift and PTO Levers

Shift and PTO Levers



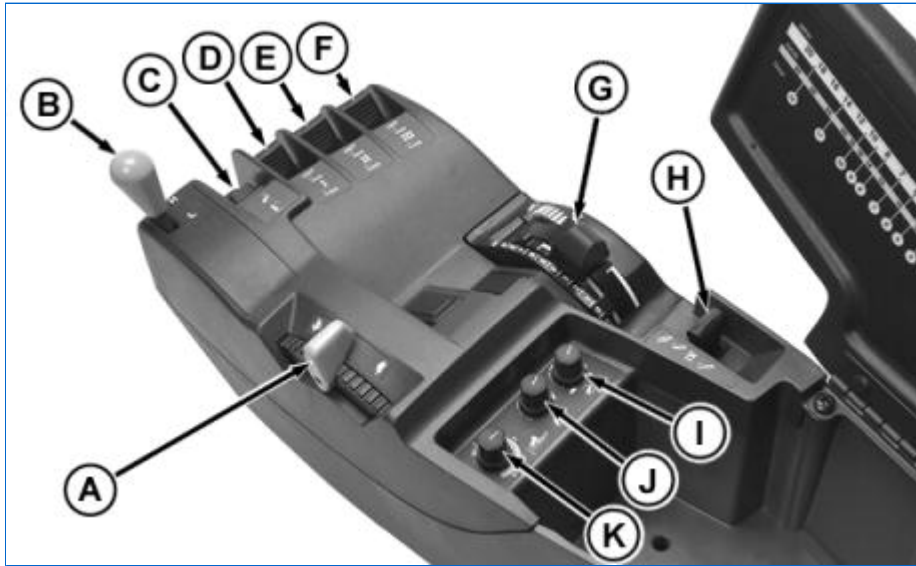
RW26065-UN: Shift and PTO Levers

LEGEND:

- A - Gear-Shift Lever
- B - Range-Shift Lever
- C - PTO Lever (*Optional*)
- D - Hi-Lo Shift Lever

omar172616 - 9300T and 9400T Tractors (090258-091000) Armrest Controls

Armrest Controls



RW26067-UN: Arm Rest Controls

LEGEND:

- A - Hand Throttle
- B - Hi-Lo Shift Lever
- C - Hitch Raise/Lower Switch
- D - Remote Hydraulic Lever (**SCV I**)
- E - Remote Hydraulic Lever (**SCV II**)
- F - Remote Hydraulic Lever (**SCV III**)
- G - Hitch Control
- H - Remote Hydraulic Lever (**SCV IV**)
- I - Hitch Rate of Drop [Inside Armrest]
- J - Hitch Height Limit [Inside Armrest]
- K - Hitch Load/Depth Control [Inside Armrest]



Suggest:

For more complete manuals. Please go to the home page.

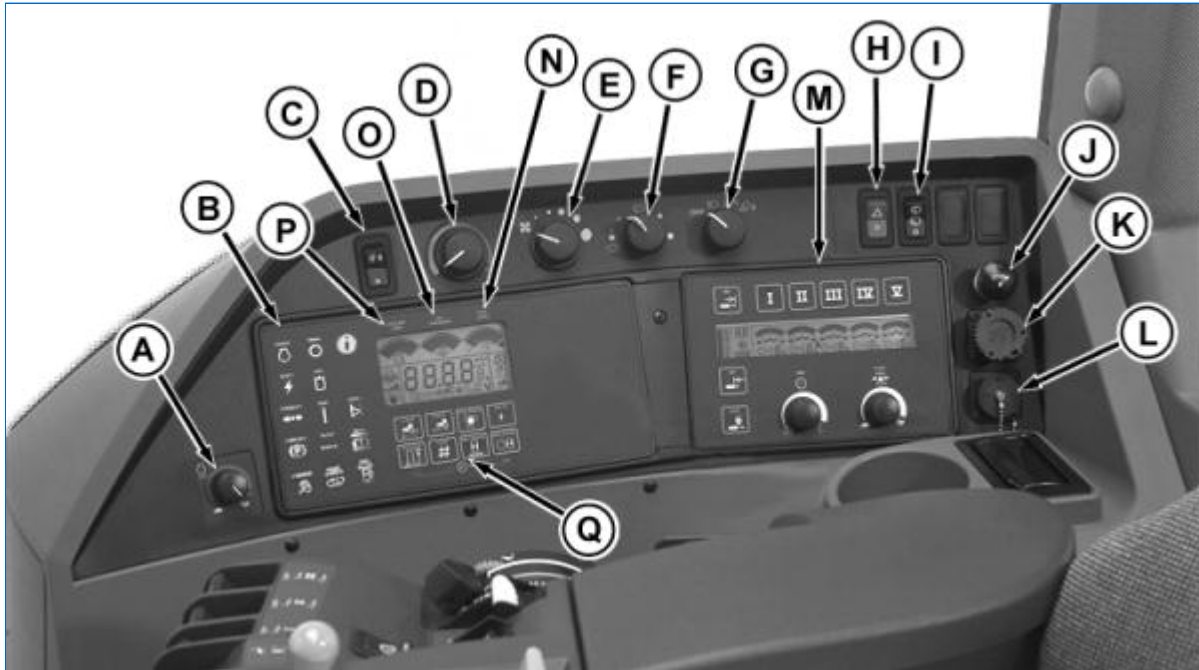
<https://www.ebooklibonline.com>

If the above button click is invalid. Please download this document first, and then click the above link to download the complete manual.

Thank you so much for reading

omar172616 - 9300T and 9400T Tractors (090258-091000) Side Console

Side Console



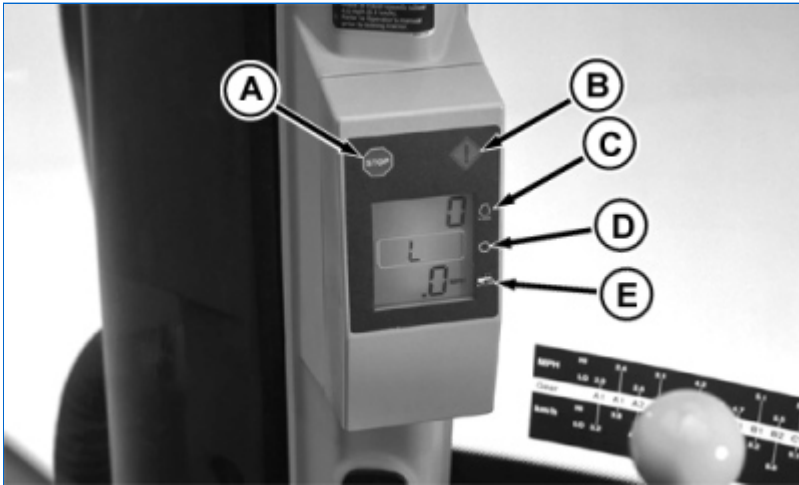
RW26850-UN: Side Console-Controls/Instruments

LEGEND:

- A - Field Cruise
- B - Vehicle Monitor
- C - Air Conditioning Switch
- D - Temperature Control
- E - Fan Speed Control
- F - Front Wiper Switch
- G - Light Switch
- H - Hazard Light Switch
- I - Rear Washer/Wiper Switch (**Optional**)
- J - Cigarette Lighter
- K - Diagnostic Outlet [Used by your John Deere Dealer]
- L - Convenience Electrical Outlet
- M - SCV TouchSet Control Panel
- N - Fuel Level
- O - Oil Pressure
- P - Coolant Temperature
- Q - Display Functions

omar172616 - 9300T and 9400T Tractors (090258-091000) Corner Post Display

Corner Post Display



RW26059-UN: Corner Post Display-Controls/Instruments

LEGEND:

- A - Stop Engine Symbol
- B - Service Alert Symbol
- C - Engine Speed
- D - Transmission (Hi/Lo)
- E - Ground Speed [Displays True Ground Speed WITH Radar-Displays Track Speed WITHOUT Radar]

<https://www.ebooklibonline.com>

Hello dear friend!

Thank you very much for reading.

Enter the link into your browser.

The full manual is available for immediate download.

<https://www.ebooklibonline.com>