

PU17330

KEY	PART NO.	PART NAME	QTY	REMARKS	
1	MIA12349	DIESEL ENGINE	1	MARKED 4TNV86CT-KJFM	

<https://www.ebooklibonline.com>

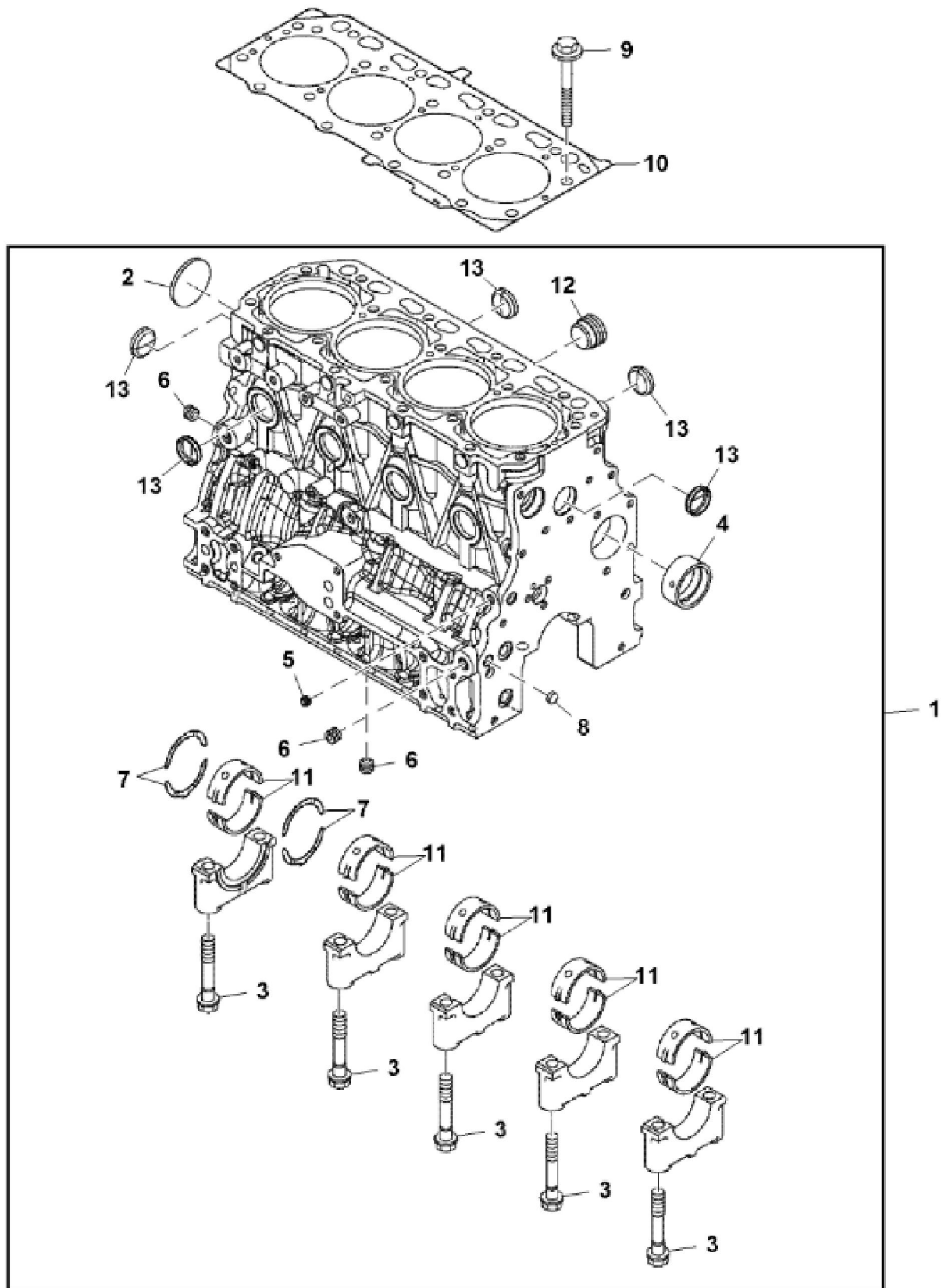
Hello dear friend!

Thank you very much for reading.

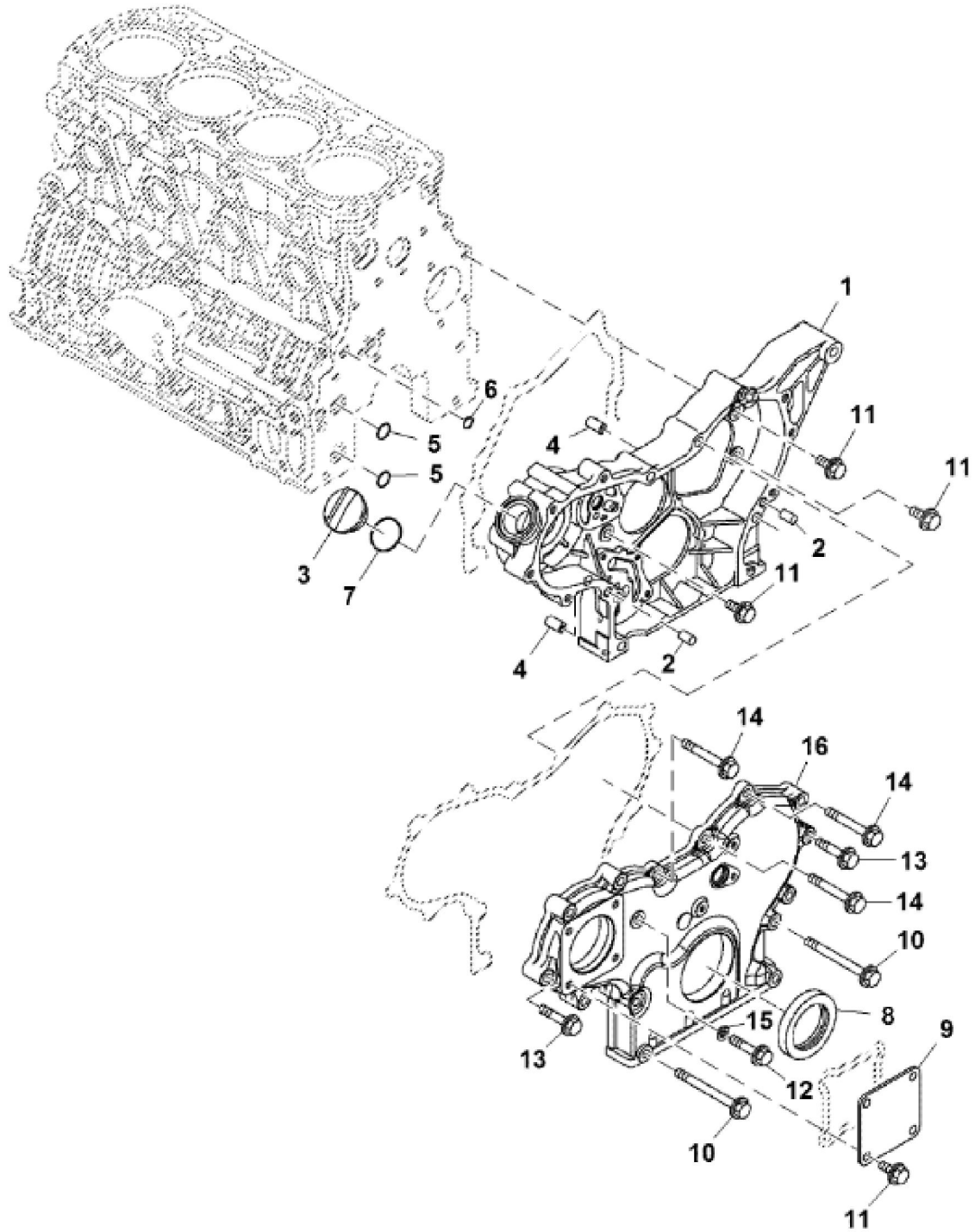
Enter the link into your browser.

The full manual is available for immediate download.

<https://www.ebooklibonline.com>



KEY	PART NO.	PART NAME	QTY	REMARKS	
1	MIA883060	CYLINDER BLOCK	1		
2	M809565	PLUG	1	Drain	
3	M801189	BOLT	10		
4	MIU800573	BUSHING	1	Camshaft	
5	CH10314	PLUG	1		
6	CH10335	PLUG	3		
7	MIA880555	BEARING	2	Thrust	
7	MIA882809	BEARING KIT	2	OS = 0.25 mm, Thrust	
8	M87801	PLUG	1		
9	M801186	BOLT	18		
10	MIA882027	GASKET	1		
11	AM875371	BEARING KIT	5	Main	
11	MIA880554	BEARING	5	Main	
11	MIA880550	BEARING	5	US = 0.25 mm	
12	15H562	PIPE PLUG	1	1"	
13	30M7023	PLUG	8	Cap	



PU21217



Suggest:

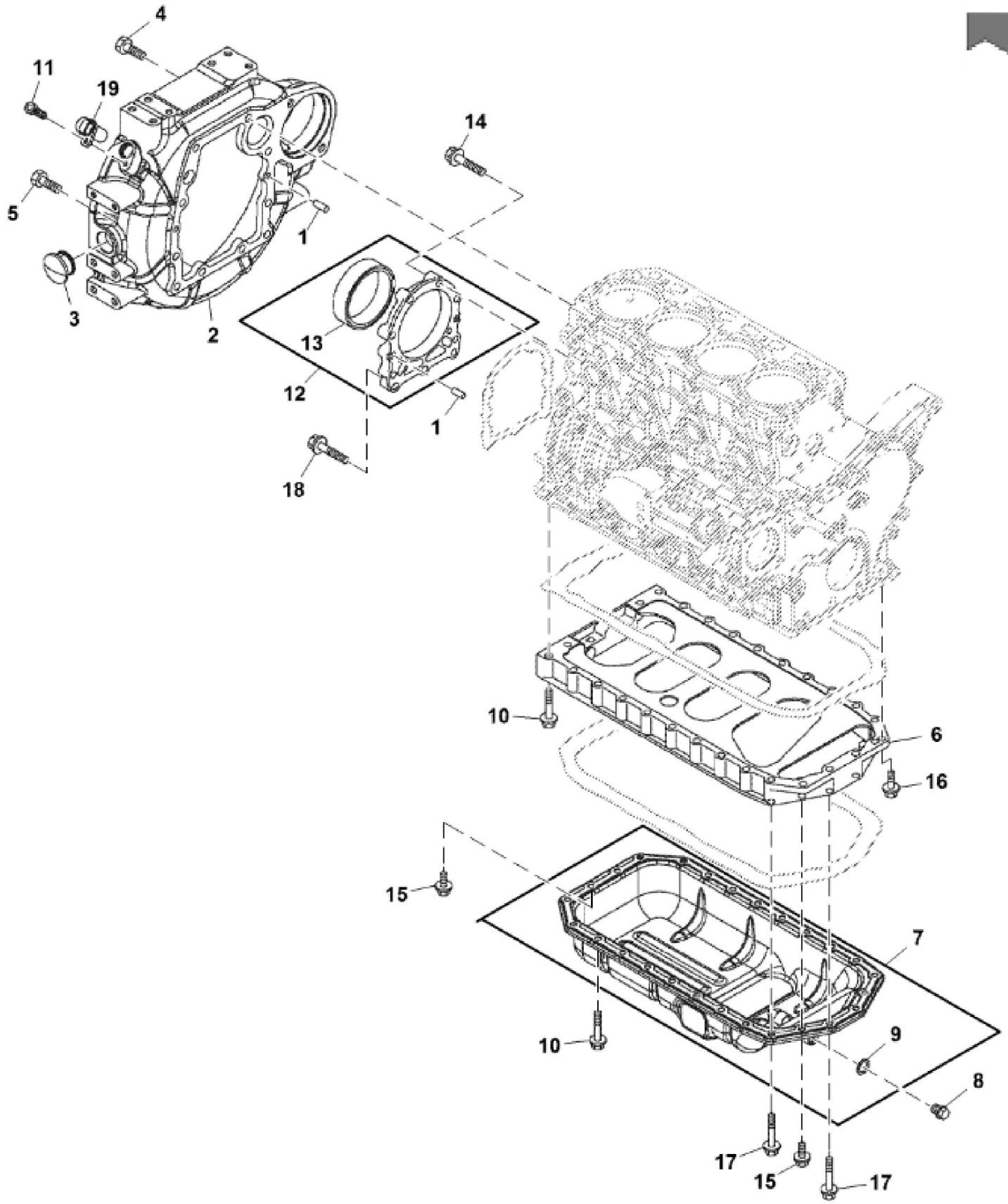
For more complete manuals. Please go to the home page.

<https://www.ebooklibonline.com>

If the above button click is invalid. Please download this document first, and then click the above link to download the complete manual.

Thank you so much for reading

KEY	PART NO.	PART NAME	QTY	REMARKS	
1	MIU803102	GEAR CASE	1		
2	M802255	PIN	2		
3	M805710	CAP	1		
4	M800974	PIPE	2		
5	M810185	O-RING	2		
6	M809204	O-RING	1		
7	M805711	O-RING	1		
8	M811078	SEAL	1		
9	CH18096	COVER	1		
10	CH19136	BOLT	4		
11	19M7865	SCREW	7	M8 X 16	
12	19M7979	SCREW	1	M8 X 55	
13	19M8317	SCREW	7	M8 X 40	
14	19M7801	SCREW	3	M8 X 60	
15	M803523	WASHER	1		
16	MIA881991	COVER	1		



<https://www.ebooklibonline.com>

Hello dear friend!

Thank you very much for reading.

Enter the link into your browser.

The full manual is available for immediate download.

<https://www.ebooklibonline.com>