

PU19423

KEY	PART NO.	PART NAME	QTY	REMARKS	
1	MIA883080	CYLINDER BLOCK	1		
2	M809565	DRAIN PLUG	1		
3	M801189	BOLT	10		
4	MIU800573	BUSHING	1		
5	CH10314	PLUG	1		
6	CH10335	PLUG	3		
7	M87801	PLUG	2		
8	MIA880555	BEARING	2		
8	MIA882809	BEARING KIT	1	Over Sized = 0.25	
9	M801186	BOLT	18		
10	MIU800384	GASKET	1		
11	MIA880554	BEARING	5		
11	MIA880550	BEARING	5	Under Sized = 0.25	
12	30M7023	PLUG	8		

<https://www.ebooklibonline.com>

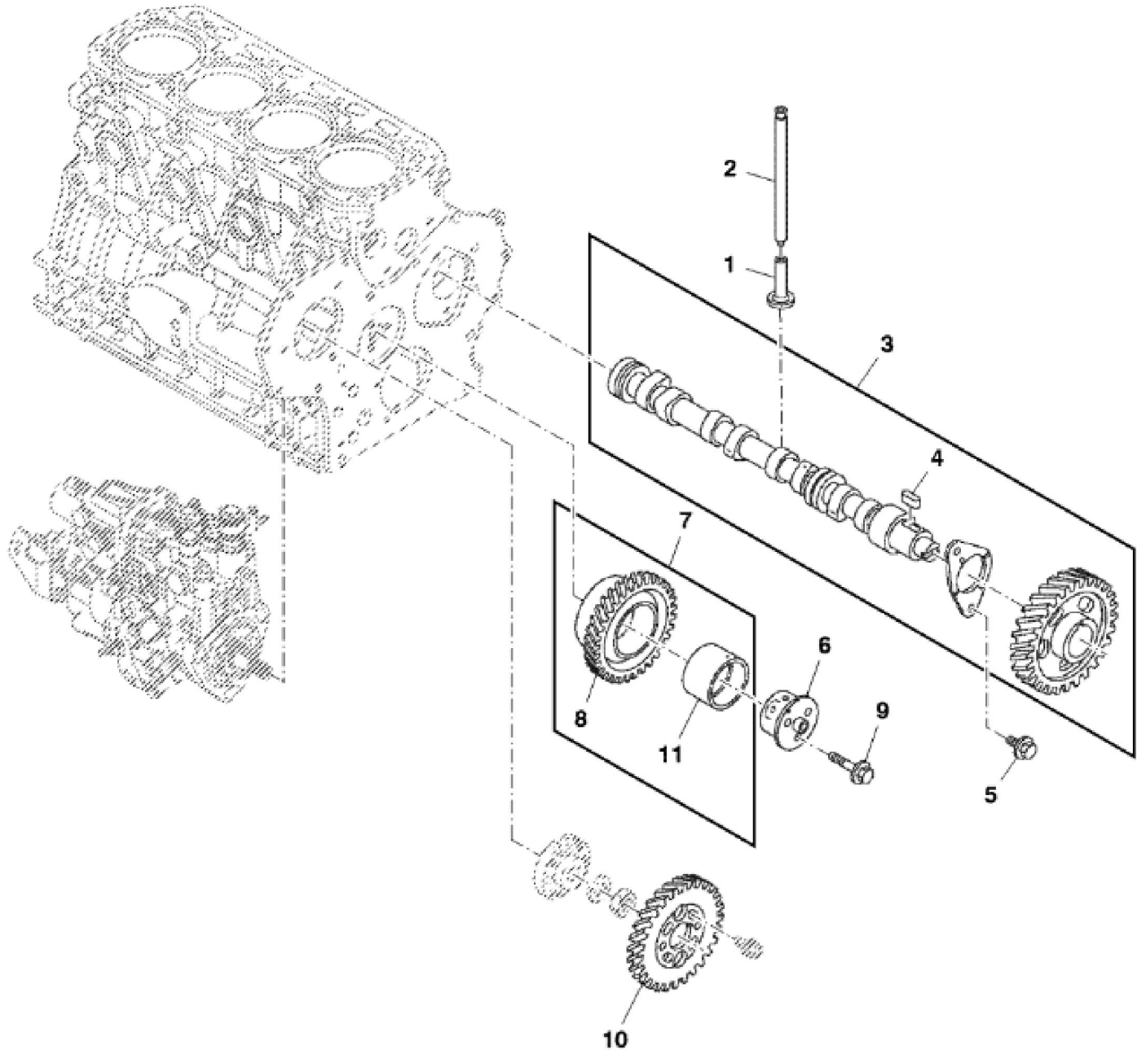
Hello dear friend!

Thank you very much for reading.

Enter the link into your browser.

The full manual is available for immediate download.

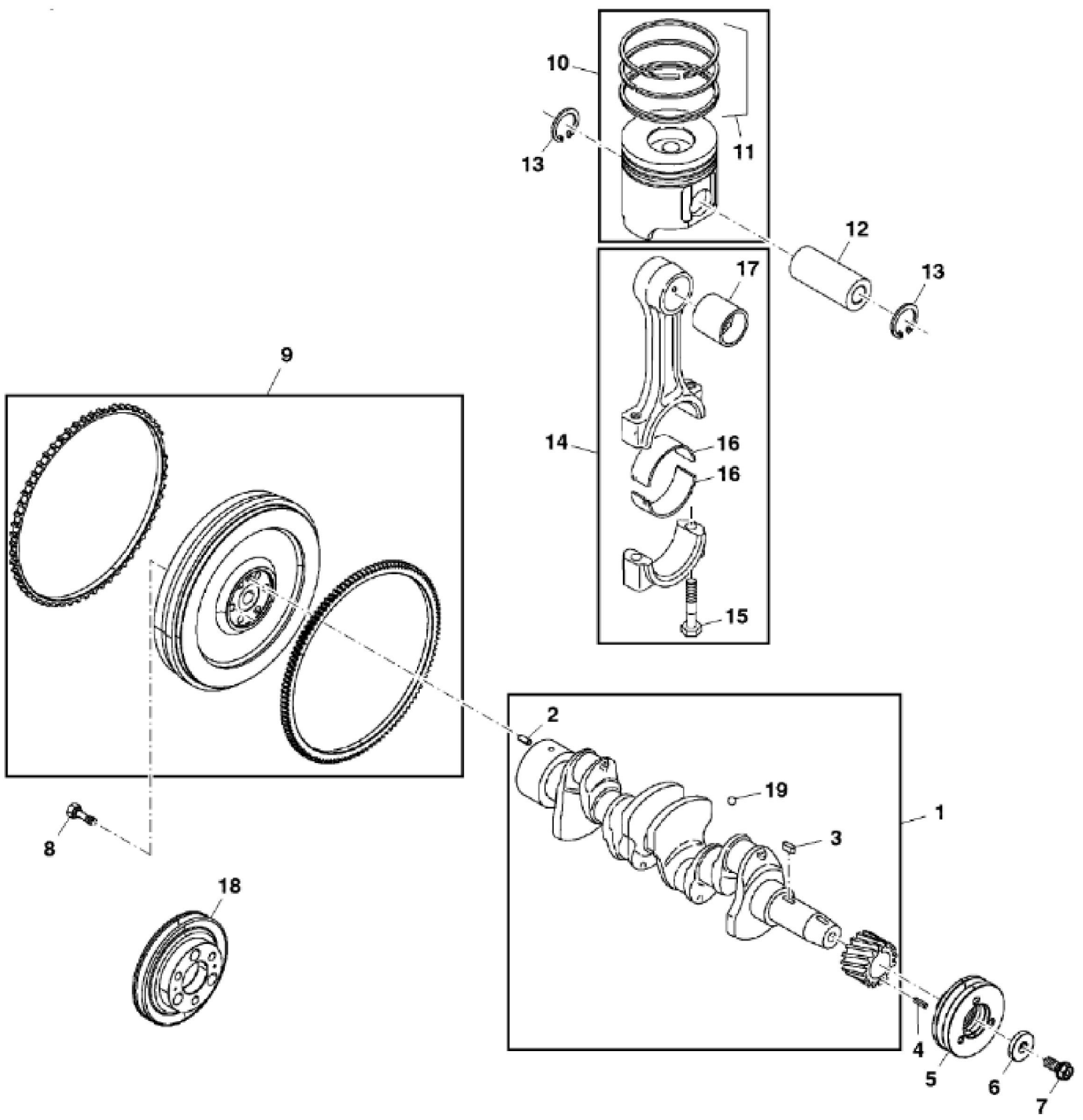
<https://www.ebooklibonline.com>



PU10757

John Deere > Turf And Utility > MOWER, FAIRWAY > 8700A - MOWER, FAIRWAY > 8700A PrecisionCut Fairway Mower > 20 ENGINE, 4TNV84T-BMJF, NON TIER 4 TCM11890 > ST776941 - CAMSHAFT AND DRIVING GEAR

KEY	PART NO.	PART NAME	QTY	REMARKS
1	M801046	CAM FOLLOWER	8	
2	M801238	PUSH ROD	8	
3	MIA880352	CAMSHAFT	1	
4	M801045	SHAFT KEY	1	
5	CH19780	BOLT	2	
6	MIU800797	SHAFT	1	
7	MIA880571	IDLER GEAR	1	
8	M811054	GEAR	1	
9	19M8317	SCREW	3	M8 X 40
10	M811057	GEAR	1	
11	MIU800595	GEAR	1	



PU12740



Suggest:

For more complete manuals. Please go to the home page.

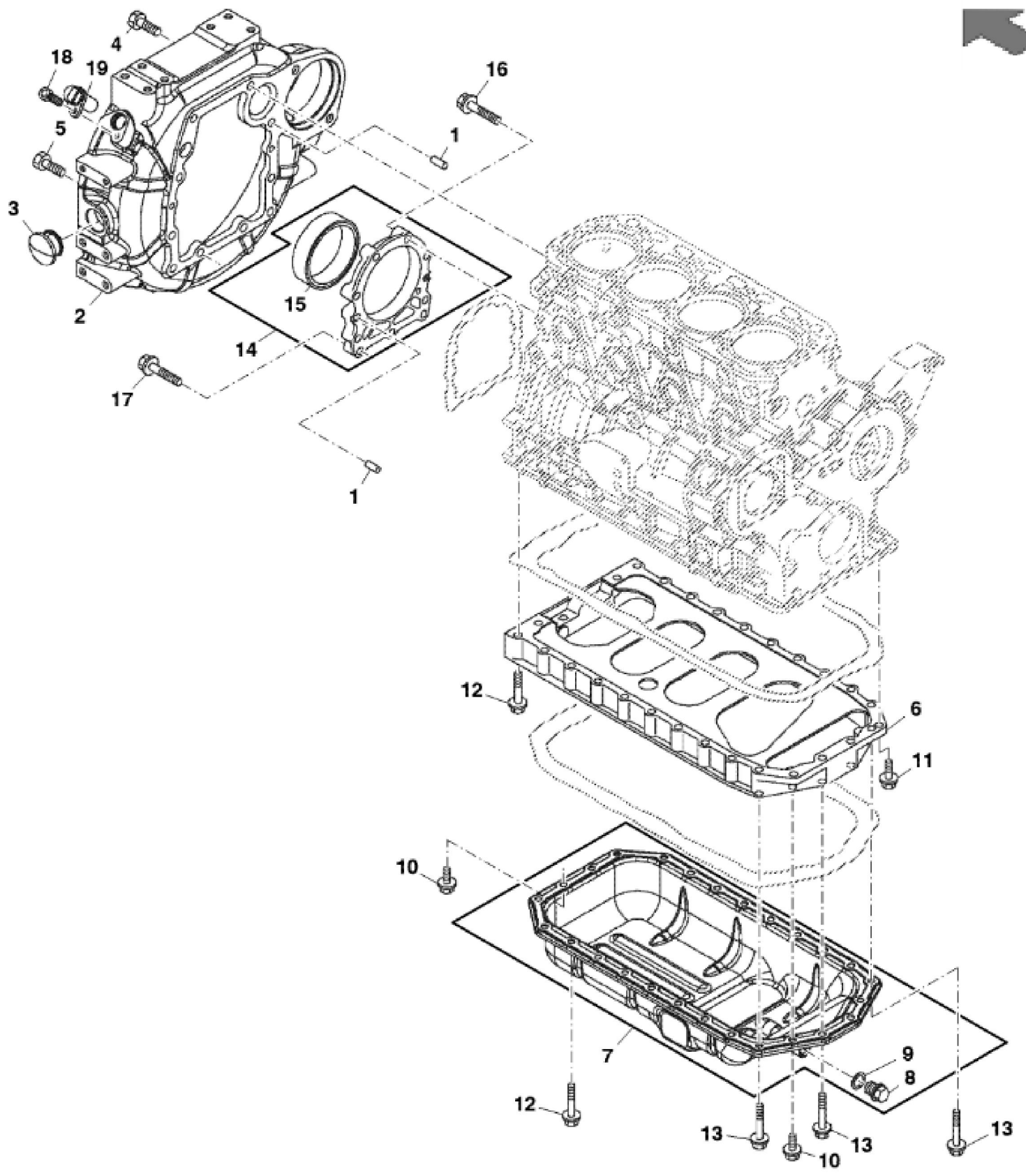
<https://www.ebooklibonline.com>

If the above button click is invalid. Please download this document first, and then click the above link to download the complete manual.

Thank you so much for reading

John Deere > Turf And Utility > MOWER, FAIRWAY > 8700A - MOWER, FAIRWAY > 8700A PrecisionCut Fairway Mower > 20 ENGINE, 4TNV84T-BMJF, NON TIER 4 TCM11890 > ST777218 - CRANKSHAFT AND PISTON

KEY	PART NO.	PART NAME	QTY	REMARKS
1	MIA881723	CRANKSHAFT	1	
2	M802255	PIN	1	
3	M801045	SHAFT KEY	1	
4	CH15575	PIN	1	
5	M811533	PULLEY	1	
6	M801055	WASHER	1	
7	CH16798	BOLT	1	
8	CH19291	BOLT	6	
9	MIA883140	FLYWHEEL KIT	1	
10	MIA880354	PISTON	4	
10	MIA880355	PISTON	4	Over Sized = 0.25
11	AM881938	PISTON RING KIT	4	
11	AM881940	PISTON RING KIT	4	Over Sized = 0.25
12	M806456	PISTON PIN	4	
13	M806457	CLIP	8	
14	AM875391	CONNECTING ROD	4	
15	CH15483	BOLT	8	
16	MIA880563	BEARING	4	
16	MIA880568	BEARING	4	Under Sized = 0.25
17	M801256	BEARING	4	
18	MIU803358	PULLEY	1	
19	400R	BALL	4	



PU17031

<https://www.ebooklibonline.com>

Hello dear friend!

Thank you very much for reading.

Enter the link into your browser.

The full manual is available for immediate download.

<https://www.ebooklibonline.com>