

MP64439

John Deere > Turf And Utility > MOWER, FAIRWAY > 8700 - MOWER, FAIRWAY > 8700 PrecisionCut Lightweight Fairway Mower > 20 ENGINE 3TNV84HT MIA12541 > ST385702 - CYLINDER BLOCK AND MAIN BEARINGS

KEY	PART NO.	PART NAME	QTY	REMARKS
1	M801186	BOLT	14	
2	M806440	ENGINE CYLINDER HEAD GASKET	1	
3	CH18079	SPRING PIN	2	
4	.....	DRAIN PLUG	1	
5	30M7023	PLUG	6	
6	CH10335	PLUG	3	
7	M802255	PIN	4	
8	15H562	PIPE PLUG	1	1"
9	MIU800573	CAMSHAFT	1	
10	MIU800797	SHAFT	1	
11	19M8317	SCREW	3	M8 X 40
12	M87801	PLUG	2	
13	M800974	PIPE	2	
14	CH10314	PLUG	1	
15	CH15575	PIN	3	
16	T110725	NOZZLE	3	
17	T110724	CHECK VALVE	3	
18	MIA880555	BEARING	2	
19	MIA880554	BEARING	4	STD
19	MIA880550	BEARING	4	US = 0.25
20	M801189	BOLT	8	
21	MIA880947	CYLINDER BLOCK	1	

**<https://www.ebooklibonline.com>**

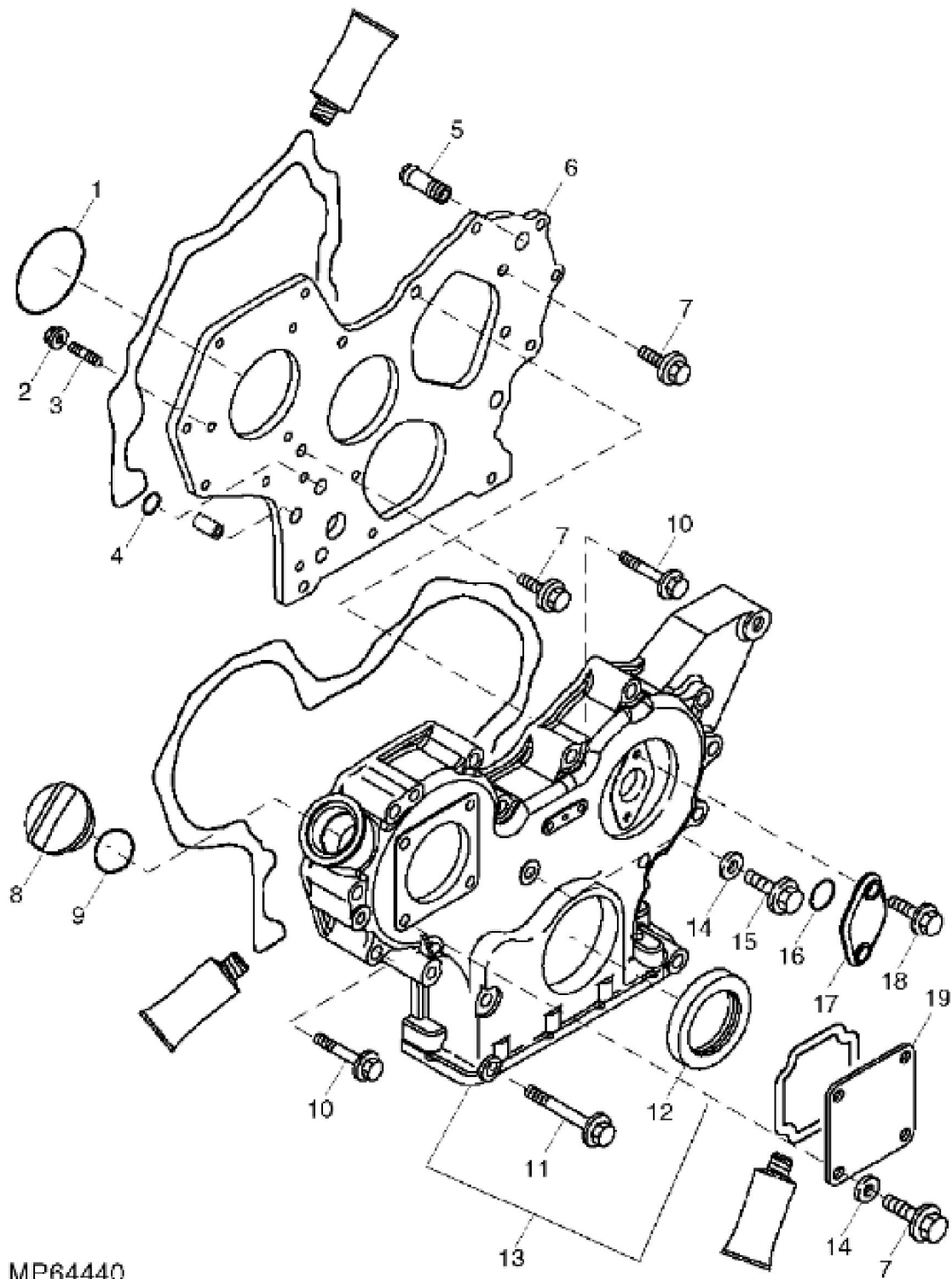
Hello dear friend!

Thank you very much for reading.

Enter the link into your browser.

The full manual is available for immediate download.

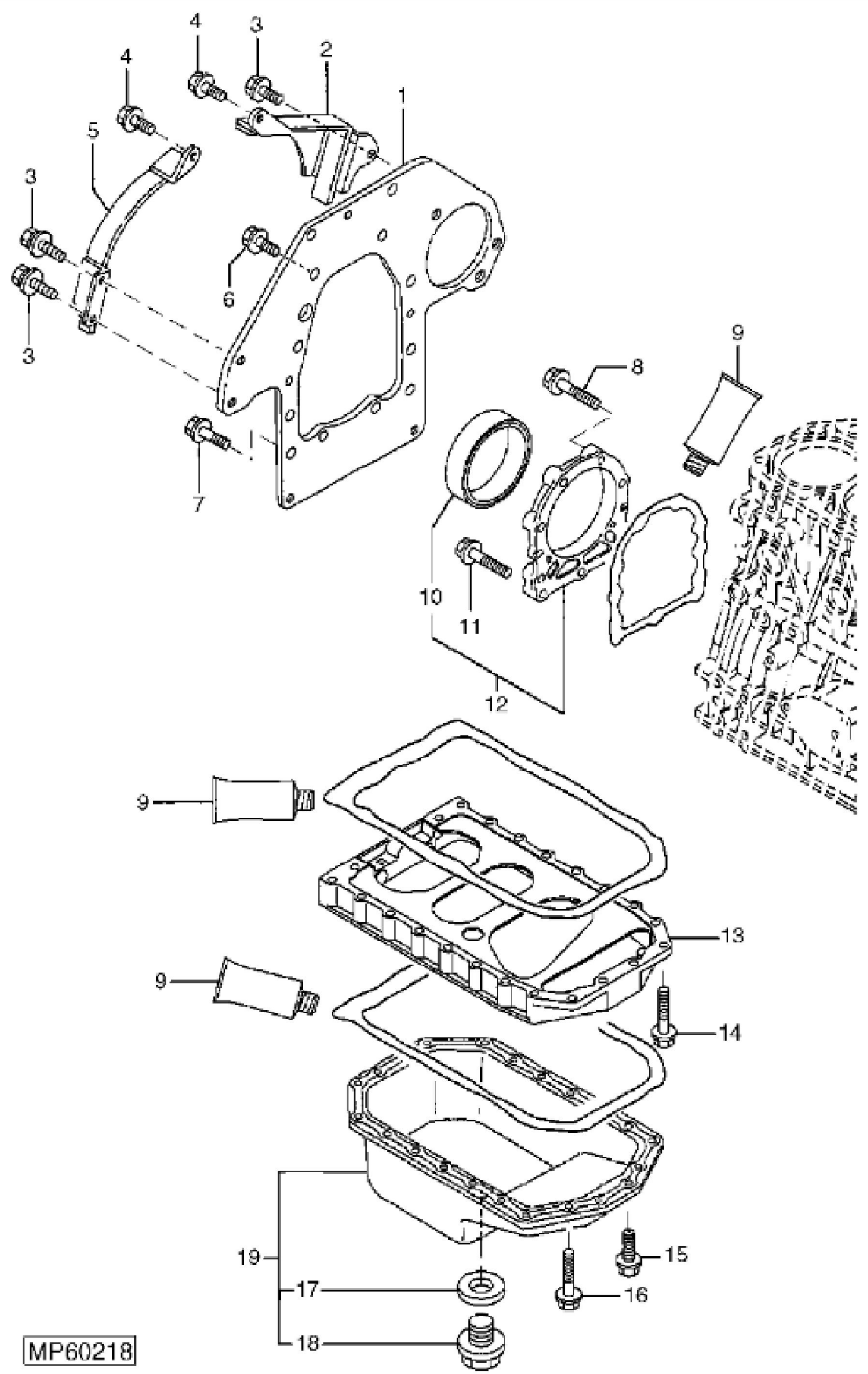
**<https://www.ebooklibonline.com>**



MP64440

John Deere > Turf And Utility >MOWER, FAIRWAY >8700 - MOWER, FAIRWAY >8700 PrecisionCut Lightweight Fairway Mower >20 ENGINE 3TNV84HT MIA12541 >ST385439 - GEAR CASE AND OIL PUMP

KEY	PART NO.	PART NAME	QTY	REMARKS
1	CH16940	O-RING	1	
2	14M7298	FLANGE NUT	3	M8
3	MIU800440	STUD	3	
4	M810185	O-RING	2	
5	T110730	UNIVERSAL JOINT	1	
6	MIU800906	FLANGE	1	
7	19M7865	SCREW	7	M8 X 16
8	M805710	CAP	1	
9	M805711	PACKING	1	
10	19M7979	SCREW	12	M8 X 55
11	CH19136	BOLT	3	
12	M811078	SEAL	1	
13	MIA880879	GEAR CASE	1	
14	M803523	WASHER	5	
15	19M7868	SCREW	1	M8 X 30
16	CH17653	PACKING	1	
17	.....	CASE	1	
18	19M7774	SCREW	2	M6 X 12
19	CH18096	COVER	1	



MP60218



**Suggest:**

**For more complete manuals. Please go to the home page.**

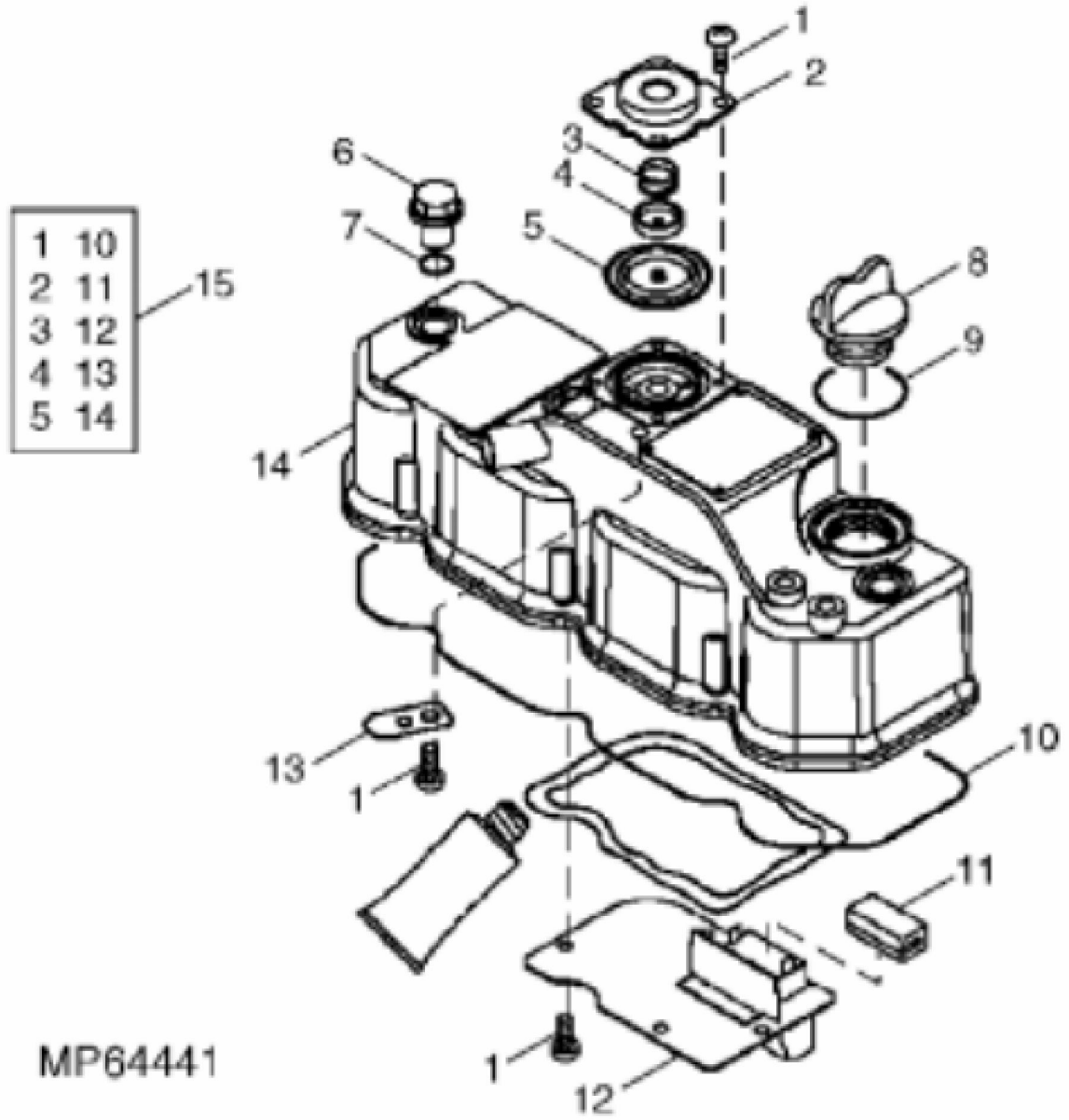
**<https://www.ebooklibonline.com>**

**If the above button click is invalid. Please download this document first, and then click the above link to download the complete manual.**

**Thank you so much for reading**

John Deere > Turf And Utility > MOWER, FAIRWAY > 8700 - MOWER, FAIRWAY > 8700 PrecisionCut Lightweight Fairway Mower > 20 ENGINE 3TNV84HT MIA12541 > ST385440 - MOUNTING FLANGE AND OIL PAN

KEY	PART NO.	PART NAME	QTY	REMARKS
1	M800991	PLATE	1	
2	M805003	HOUSING	1	FLYWHEEL
3	CH20044	BOLT	3	
4	19M7268	CAP SCREW	2	M12 X 25
5	M805004	HOUSING	1	
6	M800011	BOLT	6	
7	19M7402	CAP SCREW	4	M10 X 25
8	19M7868	SCREW	6	M8 X 30
9	M64850	SEALANT	AR	
10	M805278	SEAL	1	
11	19M7897	SCREW	3	M8 X 35
12	AM875375	CASE	1	OIL SEAL
13	M801735	RESERVOIR	1	INTERMEDIATE
14	19M7865	SCREW	4	M8 X 16
15	19M7867	SCREW	2	M8 X 25
16	CH19101	BOLT	20	
17	M806545	WASHER	1	
18	M800994	DRAIN PLUG	1	
19	AM878538	OIL PAN	1	



**<https://www.ebooklibonline.com>**

Hello dear friend!

Thank you very much for reading.

Enter the link into your browser.

The full manual is available for immediate download.

**<https://www.ebooklibonline.com>**