

MP64439

John Deere > Turf And Utility > MOWER, FAIRWAY > 8500 - MOWER, FAIRWAY > 8500 E-Cut Hybrid Lightweight Fairway Mower > 20 ENGINE 3TNV84T MIA12555 > ST476995 - CYLINDER BLOCK AND MAIN BEARINGS

| KEY | PART NO.  | PART NAME                   | QTY | REMARKS  |
|-----|-----------|-----------------------------|-----|----------|
| 1   | M801186   | BOLT                        | 14  |          |
| 2   | M806440   | ENGINE CYLINDER HEAD GASKET | 1   |          |
| 3   | CH18079   | SPRING PIN                  | 2   |          |
| 4   | M809565   | DRAIN PLUG                  | 1   |          |
| 5   | 30M7023   | PLUG                        | 6   |          |
| 6   | CH10335   | PLUG                        | 3   |          |
| 7   | M802255   | PIN                         | 4   |          |
| 8   | 15H562    | PIPE PLUG                   | 1   | 1"       |
| 9   | MIU800573 | BUSHING                     | 1   | CAMSHAFT |
| 10  | MIU800797 | SHAFT                       | 1   |          |
| 11  | 19M8317   | SCREW                       | 3   | M8 X 40  |
| 12  | M87801    | PLUG                        | 2   |          |
| 13  | M800974   | PIPE                        | 2   |          |
| 14  | CH10314   | PLUG                        | 1   |          |
| 15  | CH15575   | PIN                         | 3   |          |
| 16  | T110725   | NOZZLE                      | 3   |          |
| 17  | T110724   | CHECK VALVE                 | 3   |          |
| 18  | MIA880555 | BEARING                     | 2   |          |
| 19  | MIA880554 | BEARING                     | 4   | STD      |
| 19  | MIA880550 | BEARING                     | 4   | US=0.25  |
| 20  | M801189   | BOLT                        | 8   |          |
| 21  | MIA880914 | CYLINDER BLOCK              | 1   |          |

**<https://www.ebooklibonline.com>**

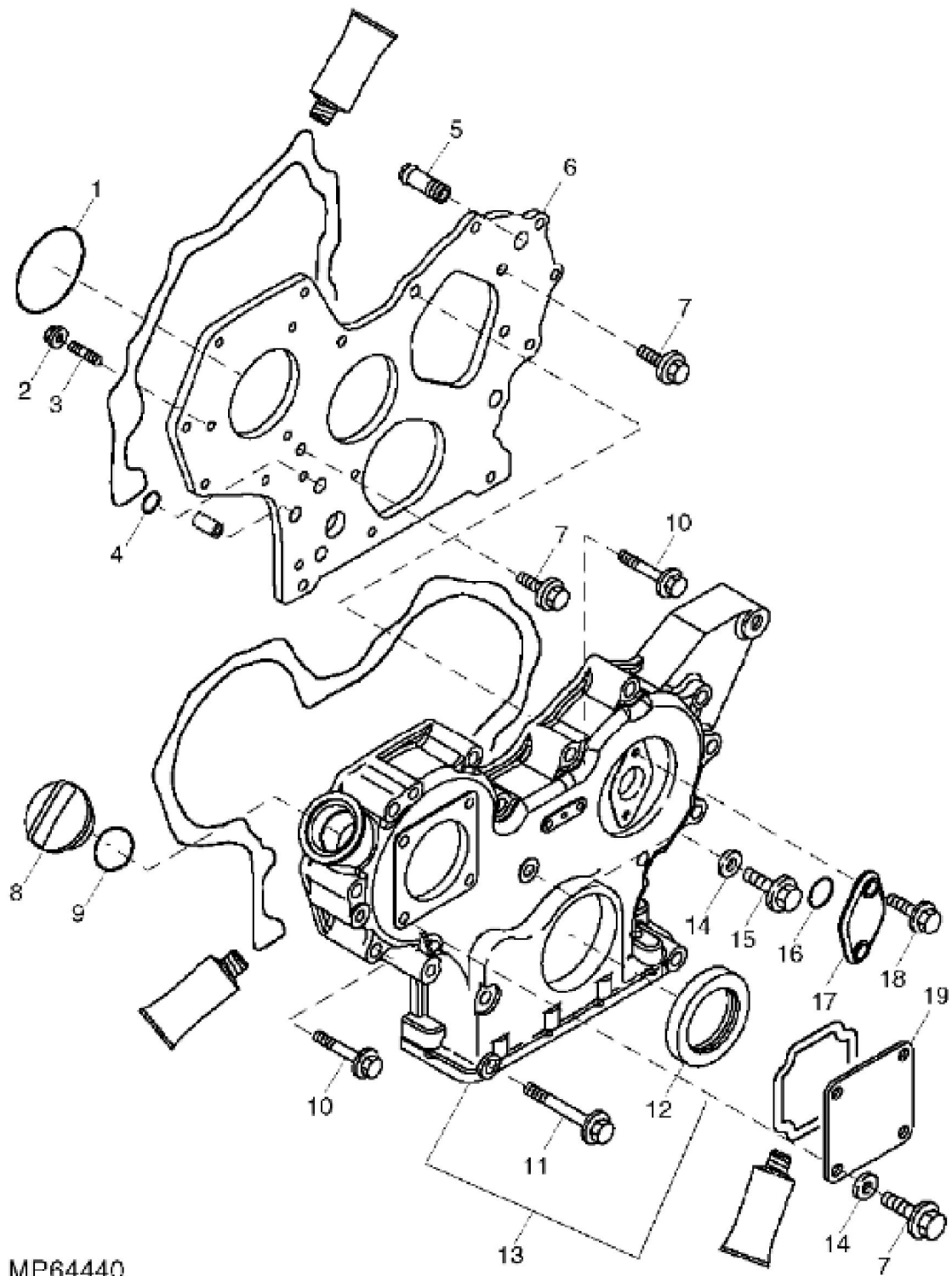
Hello dear friend!

Thank you very much for reading.

Enter the link into your browser.

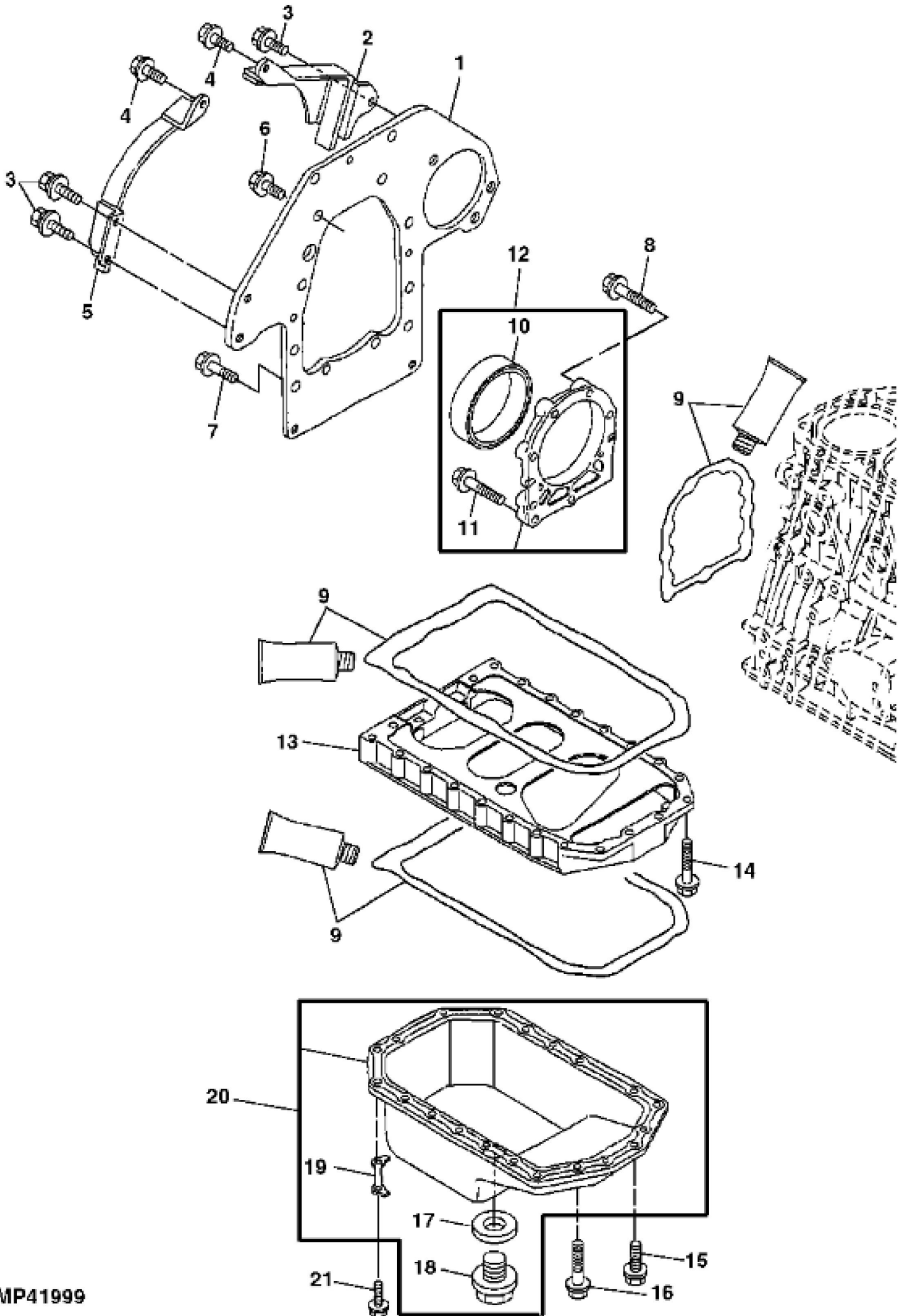
The full manual is available for immediate download.

**<https://www.ebooklibonline.com>**



MP64440

| KEY | PART NO.  | PART NAME       | QTY | REMARKS |  |
|-----|-----------|-----------------|-----|---------|--|
| 1   | CH16940   | O-RING          | 1   |         |  |
| 2   | 14M7298   | FLANGE NUT      | 3   | M8      |  |
| 3   | MIU800440 | STUD            | 3   |         |  |
| 4   | M810185   | O-RING          | 2   |         |  |
| 5   | T110730   | UNIVERSAL JOINT | 1   |         |  |
| 6   | MIU800906 | FLANGE          | 1   |         |  |
| 7   | 19M7865   | SCREW           | 7   | M8 X 16 |  |
| 8   | M805710   | CAP             | 1   |         |  |
| 9   | M805711   | PACKING         | 1   |         |  |
| 10  | 19M7979   | SCREW           | 12  | M8 X 55 |  |
| 11  | CH19136   | BOLT            | 3   |         |  |
| 12  | M811078   | SEAL            | 1   |         |  |
| 13  | MIA880879 | GEAR CASE       | 1   |         |  |
| 14  | M803523   | WASHER          | 5   |         |  |
| 15  | 19M7868   | SCREW           | 1   | M8 X 30 |  |
| 16  | CH17653   | PACKING         | 1   |         |  |
| 17  | MIU800476 | COVER           | 1   |         |  |
| 18  | 19M7774   | SCREW           | 2   | M6 X 12 |  |
| 19  | CH18096   | COVER           | 1   |         |  |





**Suggest:**

**For more complete manuals. Please go to the home page.**

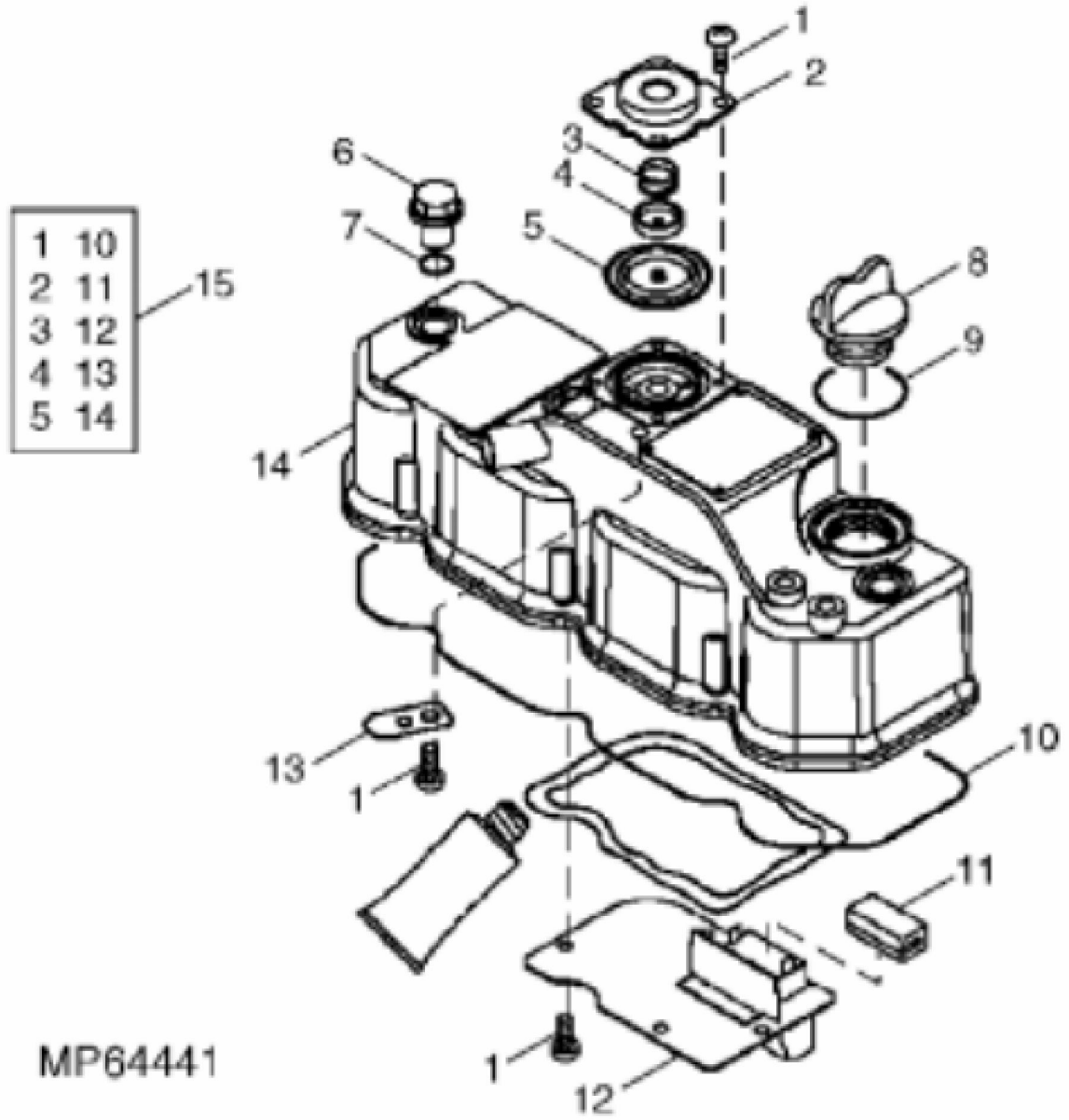
**<https://www.ebooklibonline.com>**

**If the above button click is invalid. Please download this document first, and then click the above link to download the complete manual.**

**Thank you so much for reading**

John Deere > Turf And Utility > MOWER, FAIRWAY > 8500 - MOWER, FAIRWAY > 8500 E-Cut Hybrid Lightweight Fairway Mower > 20 ENGINE 3TNV84T MIA12555 > ST476997 - MOUNTING FLANGE AND OIL PAN

| KEY | PART NO. | PART NAME  | QTY | REMARKS      |
|-----|----------|------------|-----|--------------|
| 1   | M800991  | PLATE      | 1   |              |
| 2   | M805003  | HOUSING    | 1   | FLYWHEEL     |
| 3   | CH20044  | BOLT       | 3   |              |
| 4   | 19M7268  | CAP SCREW  | 2   | M12 X 25     |
| 5   | M805004  | HOUSING    | 1   |              |
| 6   | M800011  | BOLT       | 6   |              |
| 7   | 19M7402  | CAP SCREW  | 4   | M10 X 25     |
| 8   | 19M7868  | SCREW      | 6   | M8 X 30      |
| 9   | M64850   | SEALANT    | AR  |              |
| 10  | M805278  | SEAL       | 1   |              |
| 11  | 19M7897  | SCREW      | 3   | M8 X 35      |
| 12  | AM875375 | CASE       | 1   | OIL SEAL     |
| 13  | M801735  | RESERVOIR  | 1   | INTERMEDIATE |
| 14  | 19M7865  | SCREW      | 4   | M8 X 16      |
| 15  | 19M7867  | SCREW      | 2   | M8 X 25      |
| 16  | 19M7800  | SCREW      | 4   | M8 X 50      |
| 17  | CH13526  | PACKING    | 1   |              |
| 18  | M800994  | DRAIN PLUG | 1   |              |
| 19  | M801206  | PLATE      | 2   |              |
| 20  | AM878538 | OIL PAN    | 1   |              |
| 21  | CH19101  | BOLT       | 16  |              |



**<https://www.ebooklibonline.com>**

Hello dear friend!

Thank you very much for reading.

Enter the link into your browser.

The full manual is available for immediate download.

**<https://www.ebooklibonline.com>**