

omar168280 - 8110T, 8210T, 8310T and 8410T Tractors (-902000) Pictorial Safety Signs

Pictorial Safety Signs



TS231-19: Live With Safety

IMPORTANT:

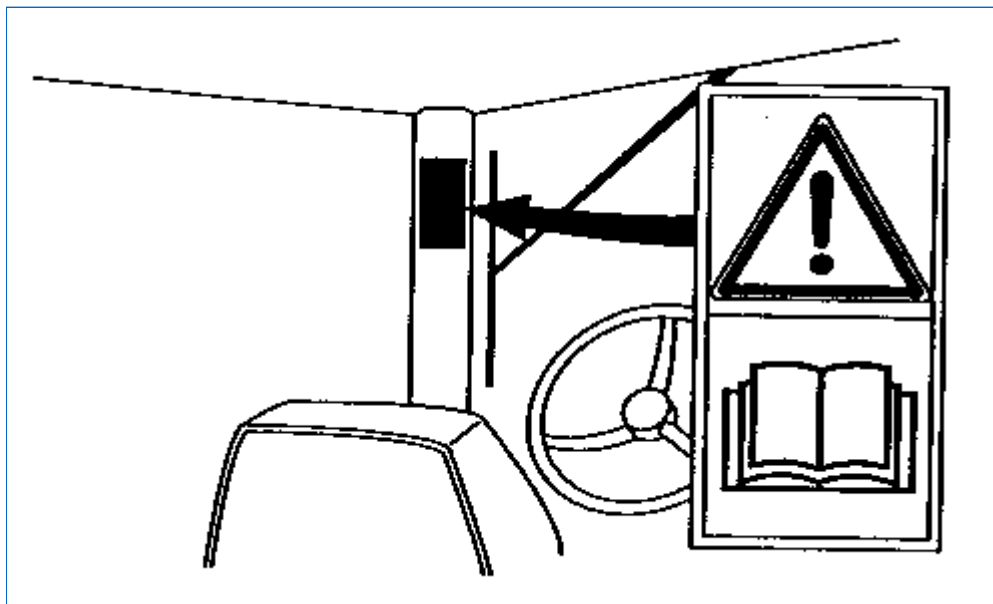
Install new safety signs if old signs are damaged, lost or can not be read. Install a new safety sign when replacing any new part that previously had a safety sign.

At several important places of this machine safety signs are affixed intended to signify potential danger. The hazard is identified by a pictorial in a warning triangle. An adjacent pictorial provides information how to avoid personal injury. These safety signs, their placement on the machine and a brief explanatory text are shown below.

Keep safety signs clean and in good condition. Replacement signs are available. See your John Deere Dealer.

omar168280 - 8110T, 8210T, 8310T and 8410T Tractors (-902000) Operator's Manual

Operator's Manual



RW55490-UN: Read Operator's Manual Carefully

This operator's manual contains important information necessary for safe machine operation. Carefully observe all safety rules to avoid accidents.

<https://www.ebooklibonline.com>

Hello dear friend!

Thank you very much for reading.

Enter the link into your browser.

The full manual is available for immediate download.

<https://www.ebooklibonline.com>

omar168280 - 8110T, 8210T, 8310T and 8410T Tractors (-902000)
Speed Limit- *United Kingdom*

Speed Limit- *United Kingdom*

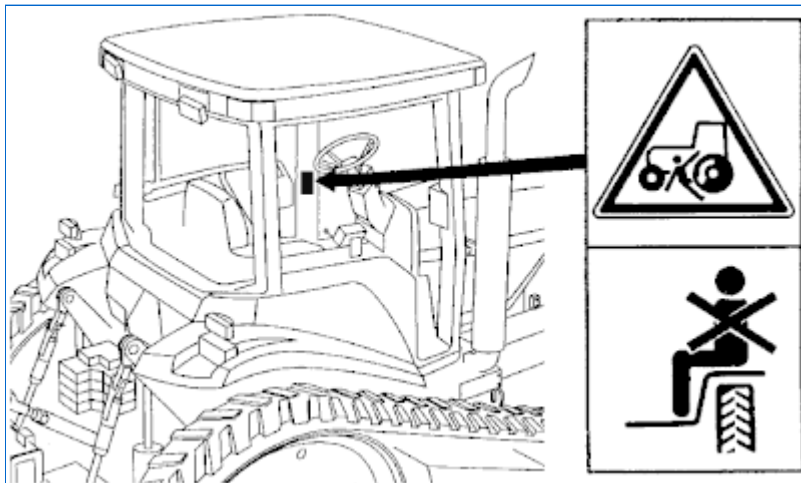


RW55491-19: Observe Speed Limit

Follow recommended speed limit. Do Not operate tractor faster than 32 km/h.

**omar168280 - 8110T, 8210T, 8310T and 8410T Tractors (-902000)
Passenger Seat- Germany**

Passenger Seat- Germany

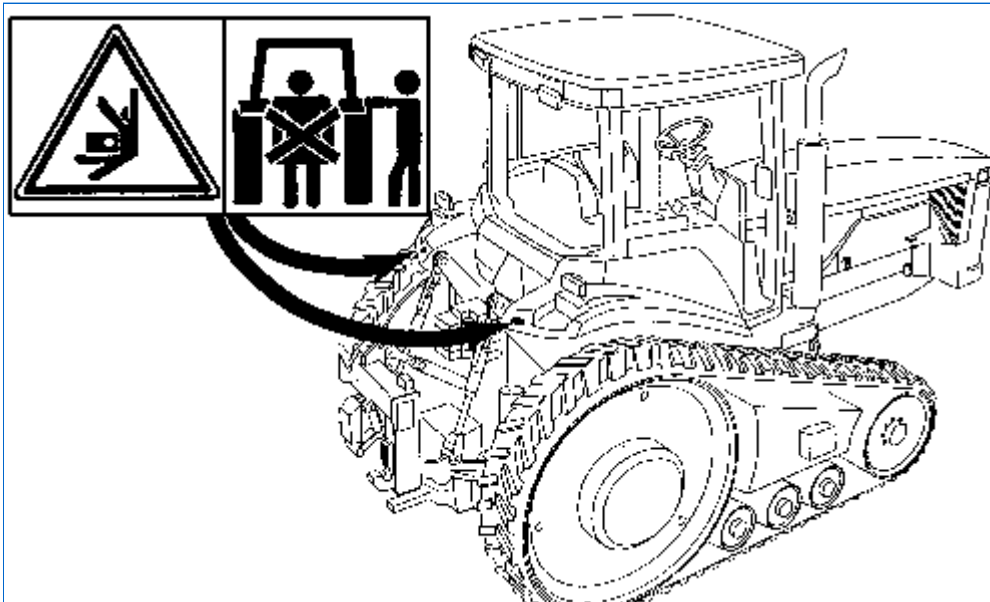


RW56475-UN: Safety Decal

Use a passenger seat to transport additional persons. Transport of persons is forbidden without a suitable seating accommodation.

omar168280 - 8110T, 8210T, 8310T and 8410T Tractors (-902000) External Hitch Control Switch

External Hitch Control Switch

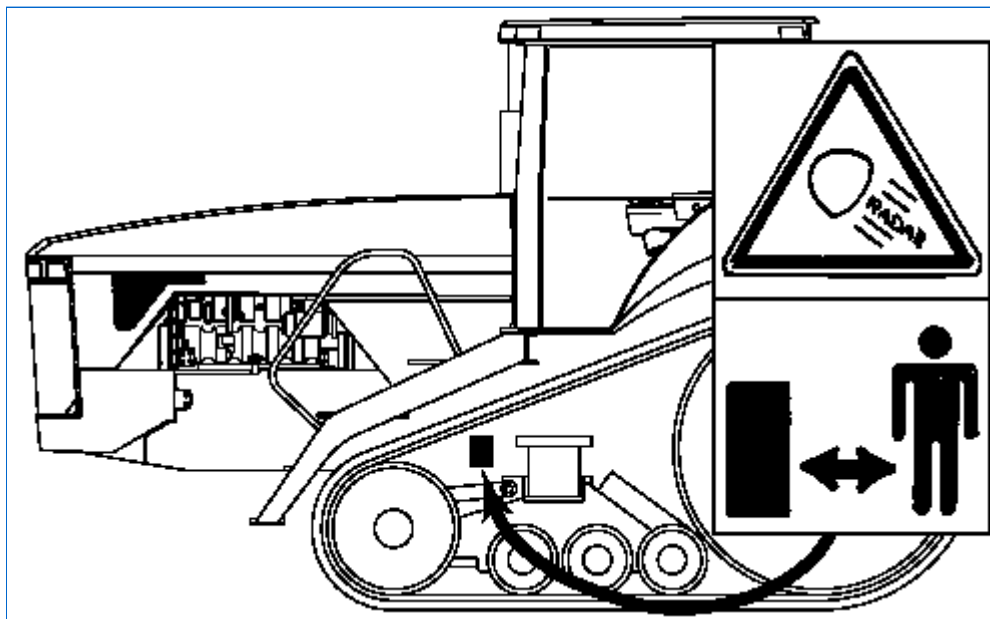


RW56476-UN: Safety Decal

Stay clear of three-point hitch lift range when operating hitch using external control switch.

omar168280 - 8110T, 8210T, 8310T and 8410T Tractors (-902000)
Radars Sensor- *Optional*

Radars Sensor- *Optional*

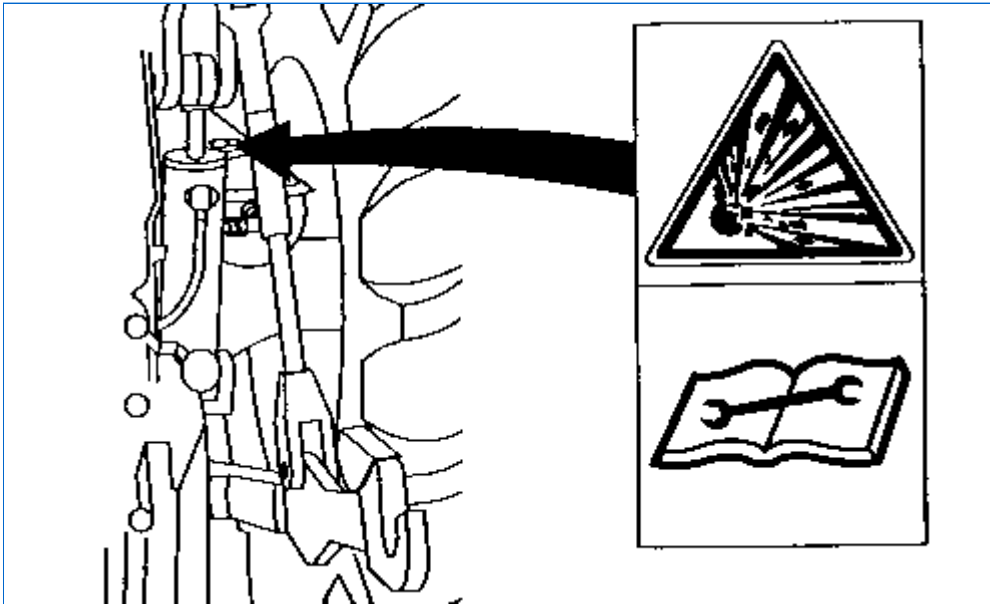


RW56477-UN: Safety Decal

Avoid possible eye damage. Do not look directly into face of radar sensor.

**omar168280 - 8110T, 8210T, 8310T and 8410T Tractors (-902000)
Trailer Air Brake Accumulator- *Optional***

Trailer Air Brake Accumulator- *Optional*

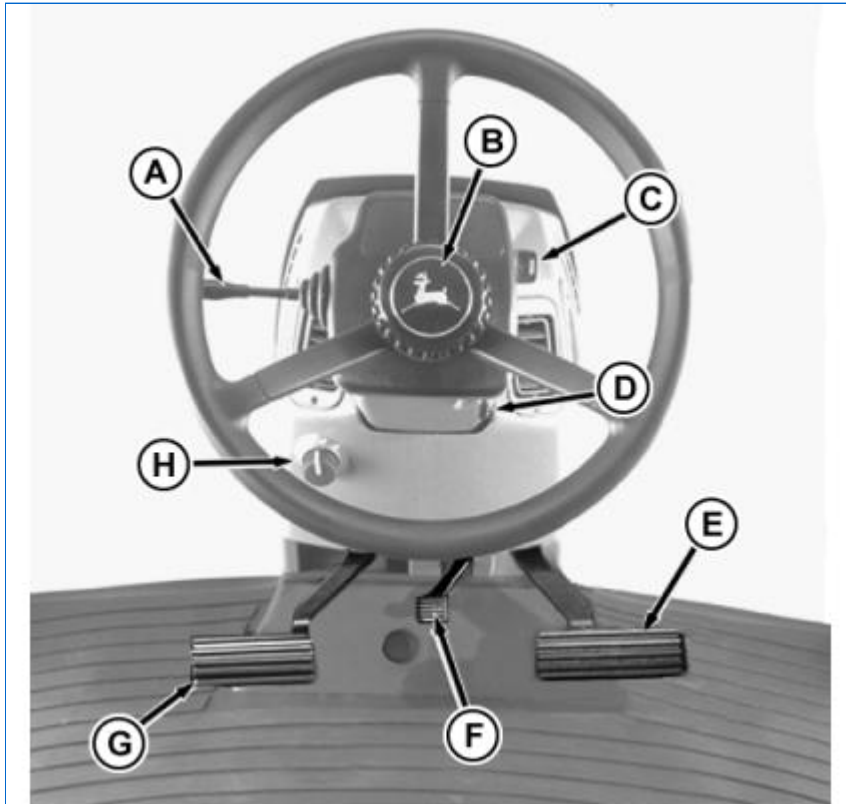


RW55495-UN: Air Brake Accumulator-Under Pressure

Trailer air brake accumulator is under pressure. Service should only be performed when pressure in the accumulator does not exist.

omar168280 - 8110T, 8210T, 8310T and 8410T Tractors (-902000) Front Console

Front Console



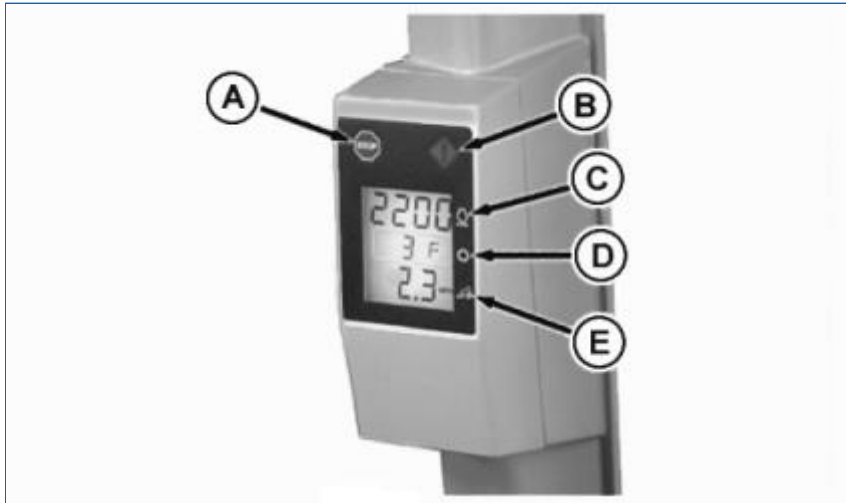
RW26337-UN: Front Console

LEGEND:

- A - Turn Signal Lever, Dimmer Switch, Horn, Flash-to-Pass
- B - Steering Wheel Telescope Release
- C - Key Switch
- D - Steering Wheel Tilt Release
- E - Brake Pedal
- F - Steering Column Foot Release
- G - Clutch Pedal
- H - Air Flow Direction Knob

omar168280 - 8110T, 8210T, 8310T and 8410T Tractors (-902000) Corner Post Display

Corner Post Display



RW26225-UN: Corner Post Display

LEGEND:

- A - Stop Engine Symbol
- B - Service Alert Symbol
- C - Engine Speed
- D - Transmission Gear
- E - Ground Speed [Displays True Ground Speed With Radar; Displays Track Speed With No Radar]



Suggest:

For more complete manuals. Please go to the home page.

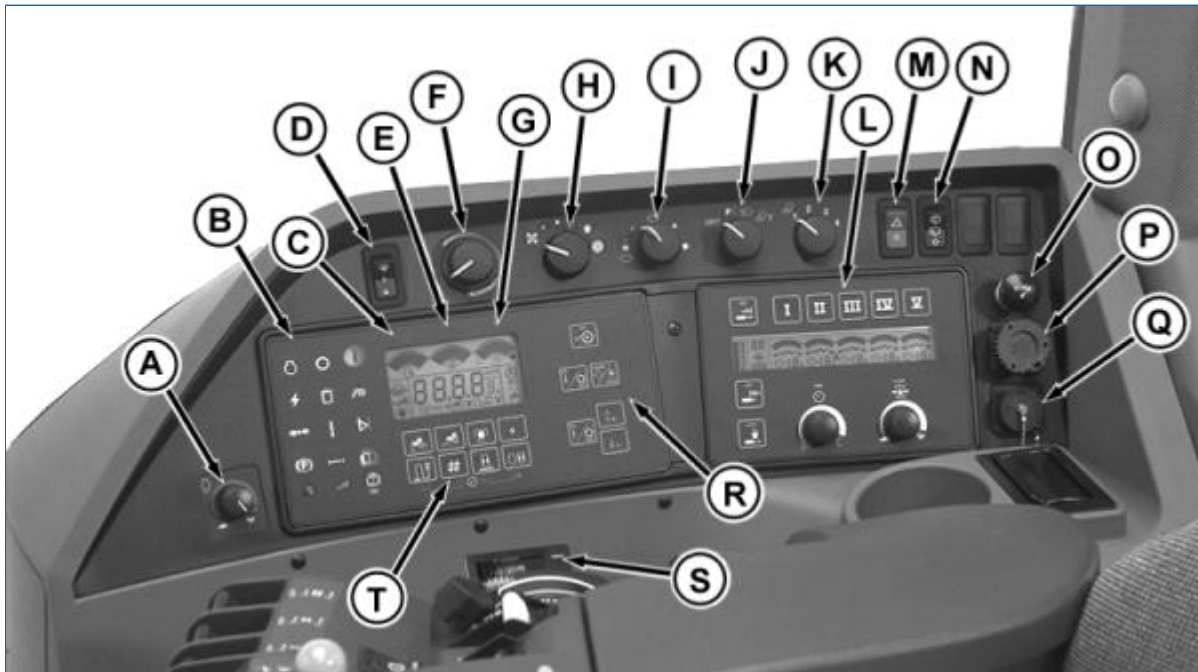
<https://www.ebooklibonline.com>

If the above button click is invalid. Please download this document first, and then click the above link to download the complete manual.

Thank you so much for reading

omar168280 - 8110T, 8210T, 8310T and 8410T Tractors (-902000) Side Console

Side Console



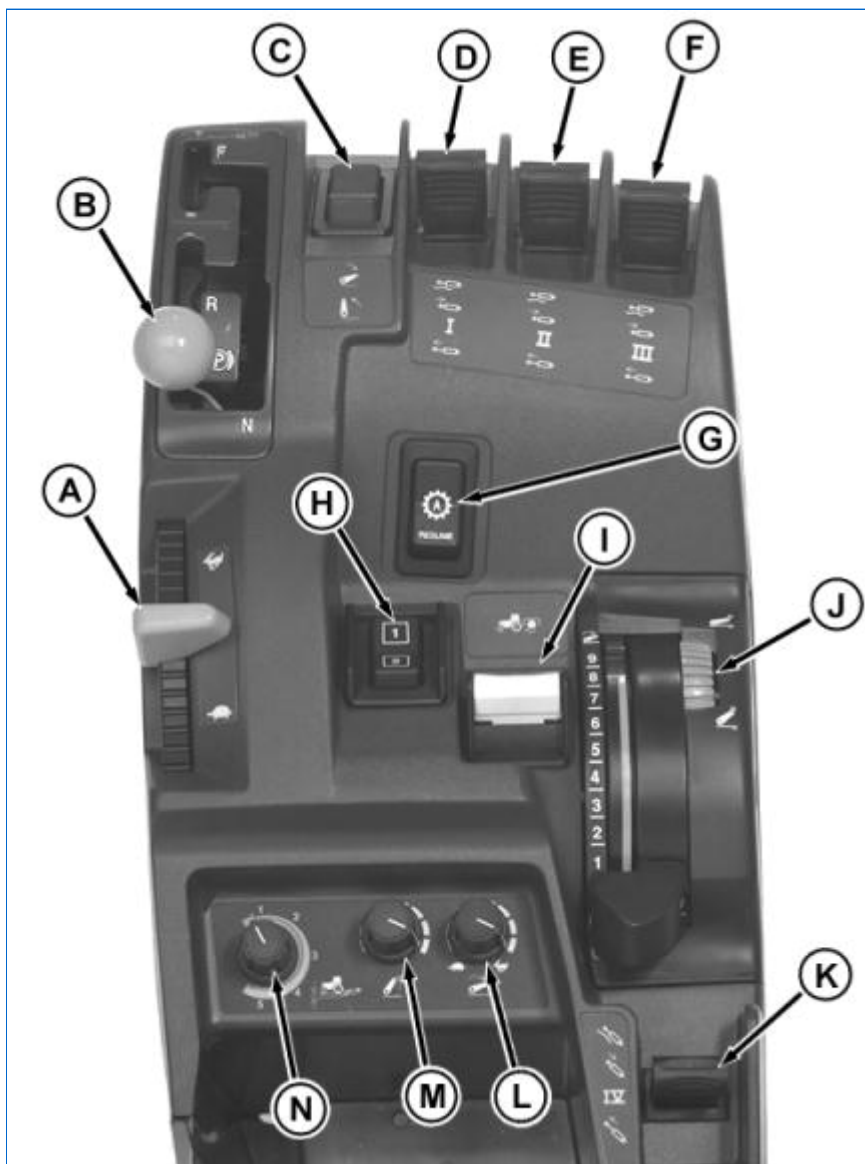
RW26724-UN: Side Console

LEGEND:

- A - Field Cruise
- B - Vehicle Monitor
- C - Engine Temperature Gauge
- D - Air Conditioning Switch
- E - Engine Oil Pressure Gauge
- F - Temperature Control
- G - Fuel Level
- H - Fan Speed Control
- I - Wiper Control
- J - Road Light Switch
- K - Field Light Switch
- L - SCV TouchSet Control Panel
- M - Hazard Light Switch
- N - Rear Washer/Wiper Switch
- O - Lighter
- P - Diagnostic Outlet [Used only by your John Deere Dealer]
- Q - Convenience Electrical Outlet
- R - Command Control System
- S - Clock
- T - Display Functions

omar168280 - 8110T, 8210T, 8310T and 8410T Tractors (-902000) Armrest Controls

Armrest Controls



RW26227-UN: Armrest Controls

LEGEND:

- A - Hand Throttle
- B - Gear Shift Lever
- C - Hitch Raise/Lower Switch
- D - Remote Hydraulic Lever (**SCV I**)
- E - Remote Hydraulic Lever (**SCV II**)
- F - Remote Hydraulic Lever (**SCV III**)
- G - Automatic Powershift Resume Switch (**APS**)
- H - Sequence Switch (**IMS**)
- I - Rear PTO Switch
- J - Hitch Control
- N - [Unlabeled]
- M - [Unlabeled]
- L - [Unlabeled]

<https://www.ebooklibonline.com>

Hello dear friend!

Thank you very much for reading.

Enter the link into your browser.

The full manual is available for immediate download.

<https://www.ebooklibonline.com>