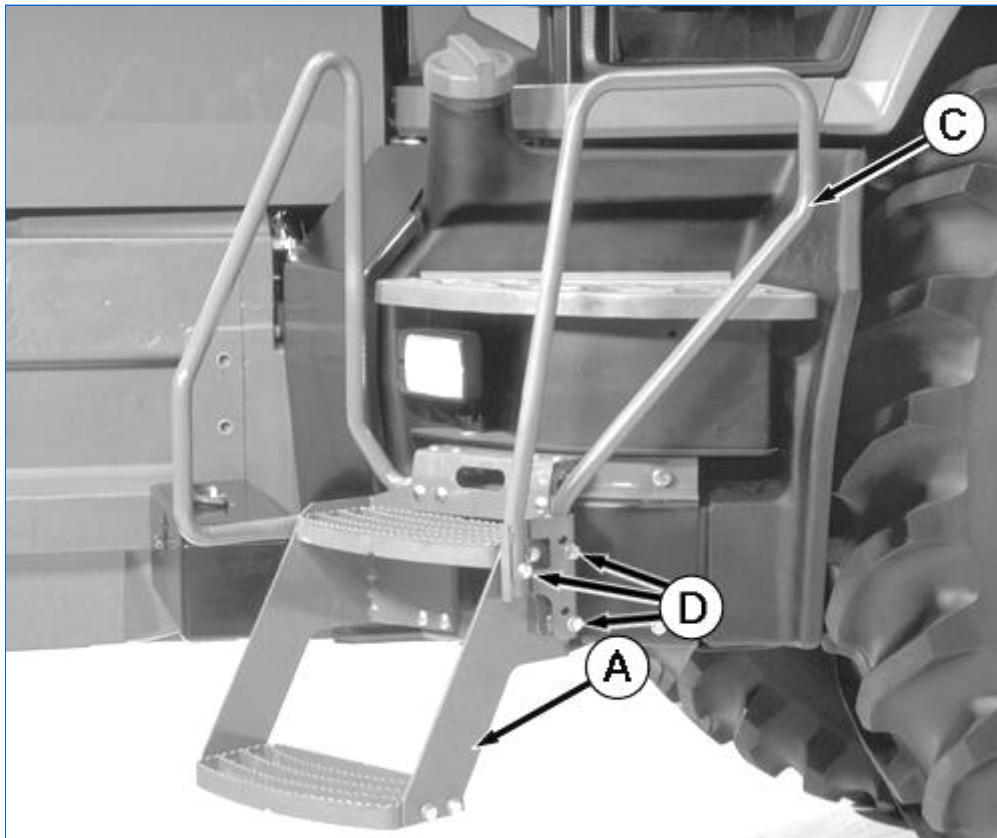


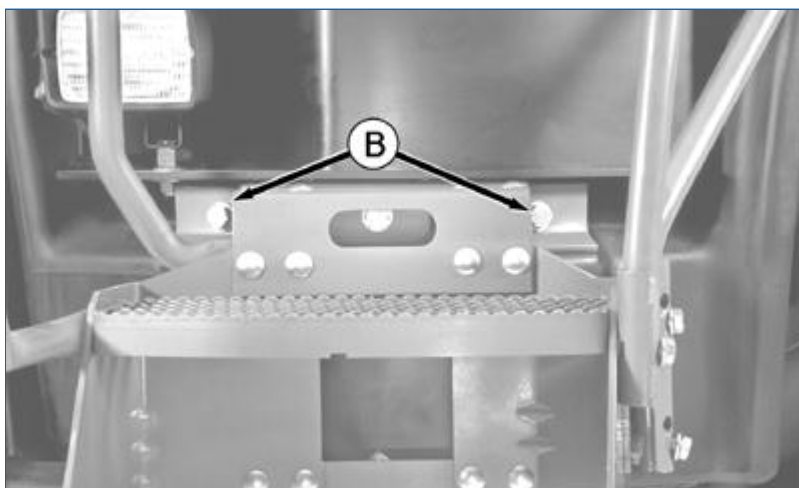
**omar116931 - 8100, 8200, 8300 and 8400 Tractors (010001 -024000)  
Positioning Steps and Handrails**

---

**Positioning Steps and Handrails**



RW55232-UN: Steps and Bolts



RW55233-UN: Loosen Bolts



RW55234-UN: 30 in. Rows



RW55235-UN: 36 in. Rows

## Steps

Steps (A) can be adjusted side-to-side to accommodate various row spacings, crop height or attachments.

Loosen bolts (B) to change position.

## Handrail

Right handrail (C) should be positioned in conjunction with the steps.

Remove bolts (D) to position handrail in desired location.

**<https://www.ebooklibonline.com>**

Hello dear friend!

Thank you very much for reading.

Enter the link into your browser.

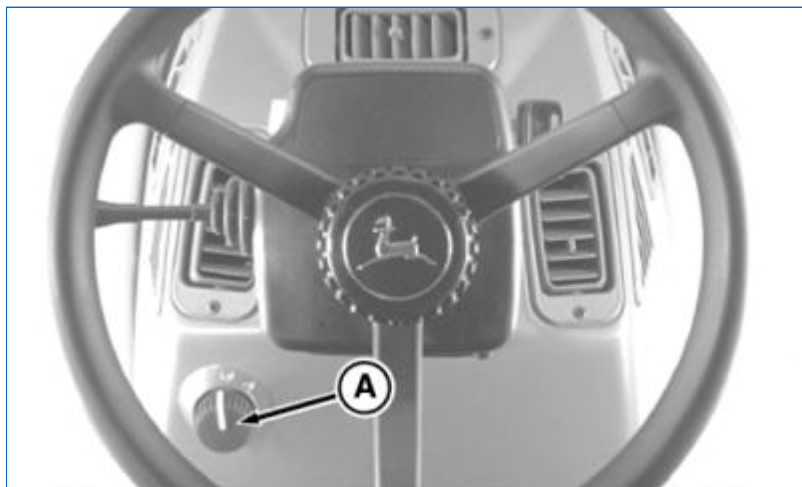
The full manual is available for immediate download.

**<https://www.ebooklibonline.com>**

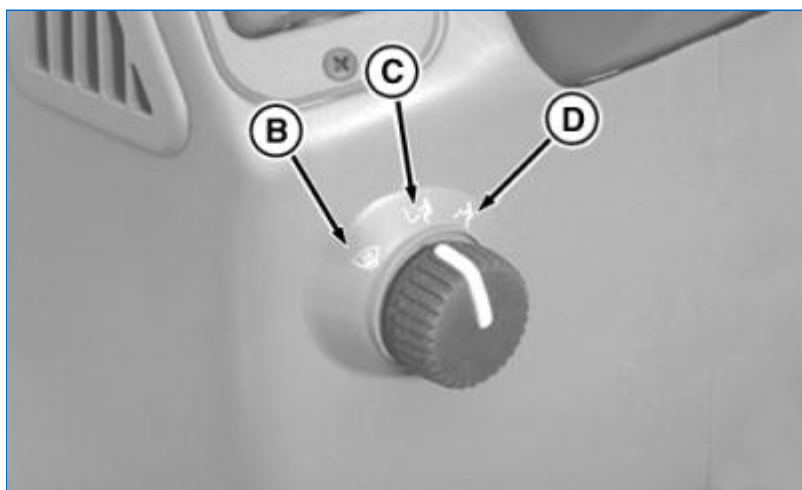
# omar116931 - 8100, 8200, 8300 and 8400 Tractors (010001 -024000) Controlling Air Flow

---

## Controlling Air Flow



RW55204-UN: Air Flow Knob



RW55236-UN: Windshield and Dash

### LEGEND:

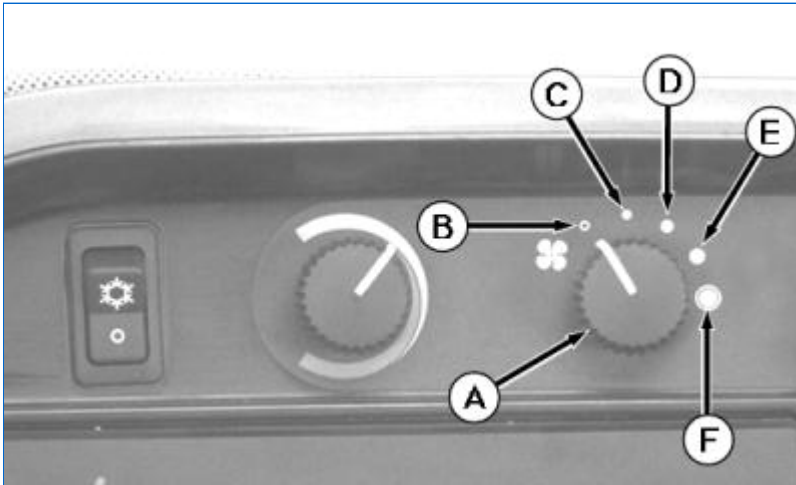
- A - Air Flow Knob
- B - Windshield
- C - Windshield and Dash
- D - Dash

Turn knob (A) to direct air flow between windshield and dash or a combination of both.

# omar116931 - 8100, 8200, 8300 and 8400 Tractors (010001 -024000) Adjusting Blower Speed

---

## Adjusting Blower Speed



RW55237-UN: Adjust Blower Speed

### LEGEND:

- A - Blower Knob
- B - Off
- C - Low
- D - Medium
- E - High
- F - Purge

Turn knob (A) to desired blower speed.

### *NOTE:*

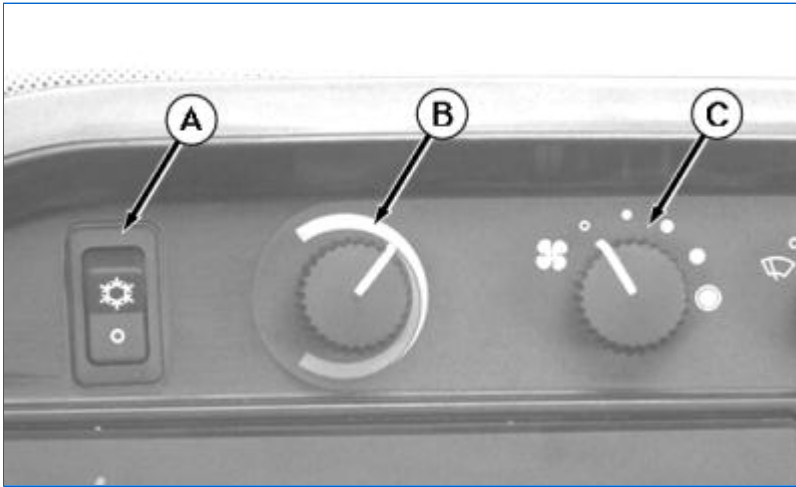
*The purge position is designed to exhaust hot air rapidly from the cab.*

The pressurization blower operates whenever the blower switch is in the ON position.

## omar116931 - 8100, 8200, 8300 and 8400 Tractors (010001 -024000) Controlling Temperature

---

### Controlling Temperature



RW55238-UN: Temperature Control Knobs

Blower knob (C) and air conditioning switch (A) must be in the ON position before the air conditioning system will operate.

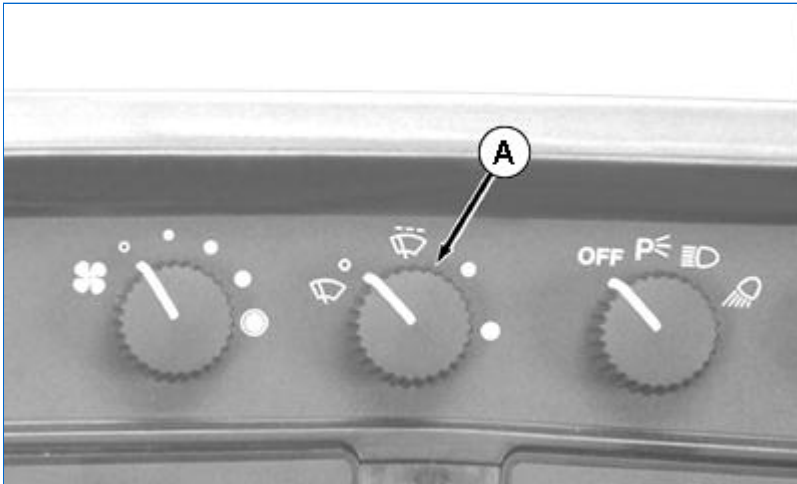
Knob (B) controls the heater and defroster temperature.

Put switch (A) in the ON position to defog the windows, and adjust knob (B) to desired temperature.

**omar116931 - 8100, 8200, 8300 and 8400 Tractors (010001 -024000)  
Operating Windshield Wiper [ Windshield washer-standard equipment on deluxe cab]**

---

**Operating Windshield Wiper [ Windshield washer-standard equipment on deluxe cab]**



RW55239-UN: Windshield Wiper Switch



RW55657-UN: Washer Reservoir

Rotate switch (A) to activate four wiper positions:

- **Off**
- **Intermittent**
- **Slow**
- **Fast**

Push switch in to operate optional windshield washer.

Fill washer reservoir with non-freezing solvent to prevent damage to washer system in cold temperatures.

**omar116931 - 8100, 8200, 8300 and 8400 Tractors (010001 -024000)  
Operating Rear Windshield Wiper and Washer [ Rear windshield wiper  
and washer-standard equipment on deluxe cab] - *Optional***

---

**Operating Rear Windshield Wiper and Washer [ Rear windshield wiper and washer-  
standard equipment on deluxe cab] - *Optional***



RW55241-UN: Rear Windshield Wiper and Washer Switch

Switch (A) has three operating positions:

Top **WASHER** position-hold switch down to activate washer

Center **ON** position-windshield wiper is activated

Bottom **OFF** position



**Suggest:**

**For more complete manuals. Please go to the home page.**

**<https://www.ebooklibonline.com>**

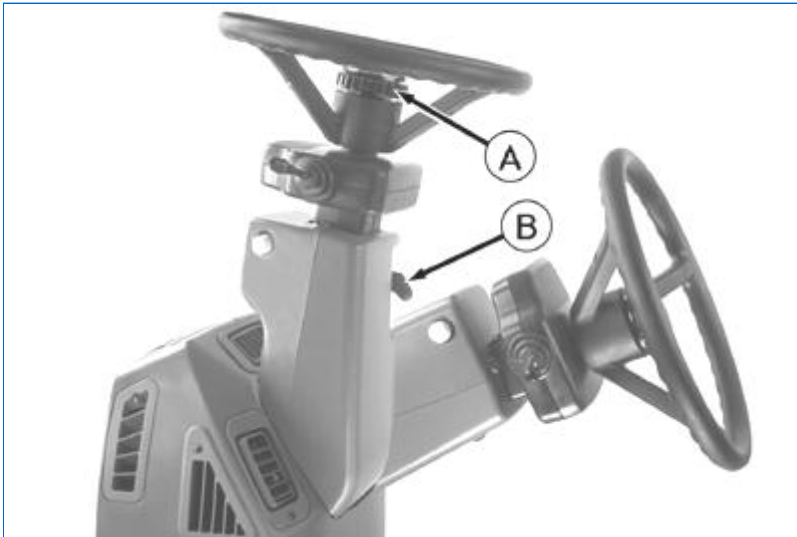
**If the above button click is invalid. Please download this document first, and then click the above link to download the complete manual.**

**Thank you so much for reading**

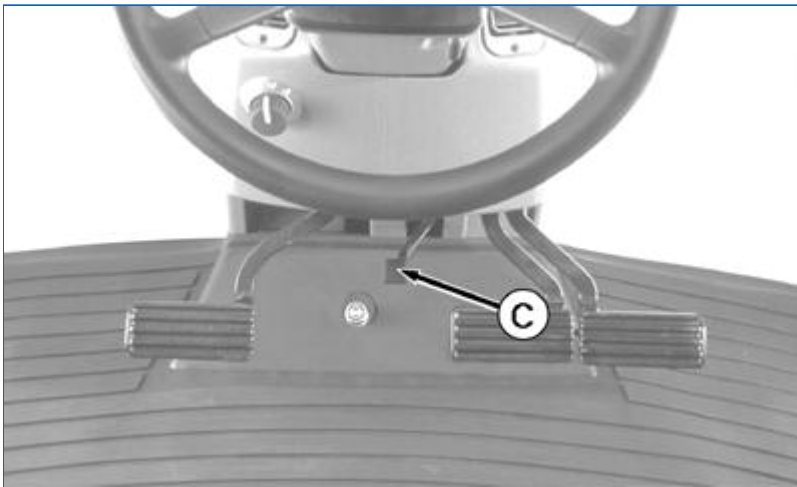
# omar116931 - 8100, 8200, 8300 and 8400 Tractors (010001 -024000) Adjusting Steering Wheel

---

## Adjusting Steering Wheel



RW55242-UN: Steering Wheel Adjustment Knob and Lever



RW55481-UN: Foot Pedal

### Telescope

Rotate knob (A) counter-clockwise to extend or retract the steering wheel. Rotate knob clockwise to lock.

### Tilt

Pull up on lever (B) and move the steering column to the desired position. Release lever to lock.

### Memory

Push down on foot pedal (C) to permit steering column to automatically move up, out of operator's way for easy entry or exit.

Push down on foot pedal and pull down on steering wheel to return steering column back to previous setting.

---

RX8000,25,9-19-1994/07/27

**<https://www.ebooklibonline.com>**

Hello dear friend!

Thank you very much for reading.

Enter the link into your browser.

The full manual is available for immediate download.

**<https://www.ebooklibonline.com>**