

MP64439

BEARINGS

KEY	PART NO.	PART NAME	QTY	REMARKS
1	M801186	BOLT	14	
2	M806440	ENGINE CYLINDER HEAD GASKET	1	
3	CH18079	SPRING PIN	2	
4	M809565	DRAIN PLUG	1	
5	30M7023	PLUG	6	
6	CH10335	PLUG	3	
7	M802255	PIN	4	
8	15H562	PIPE PLUG	1	1"
9	MIU800573	CAMSHAFT	1	
10	MIU800797	SHAFT	1	
11	19M8317	SCREW	3	M8 X 40
12	M87801	PLUG	2	
13	M800974	PIPE	2	
14	CH10314	PLUG	1	
15	CH15575	PIN	3	
16	T110725	NOZZLE	3	
17	T110724	CHECK VALVE	3	INCLUDES (3) M811591 AND (3) T111560
17	M811591	BALL	3	(Not Illustrated)
17	T111560	RING	3	(Not Illustrated)
18	MIA880555	BEARING	2	
19	MIA880554	BEARING	4	STD
19	MIA880550	BEARING	4	US = 0.25
20	M801189	BOLT	8	
21	MIA880914	CYLINDER BLOCK	1	

<https://www.ebooklibonline.com>

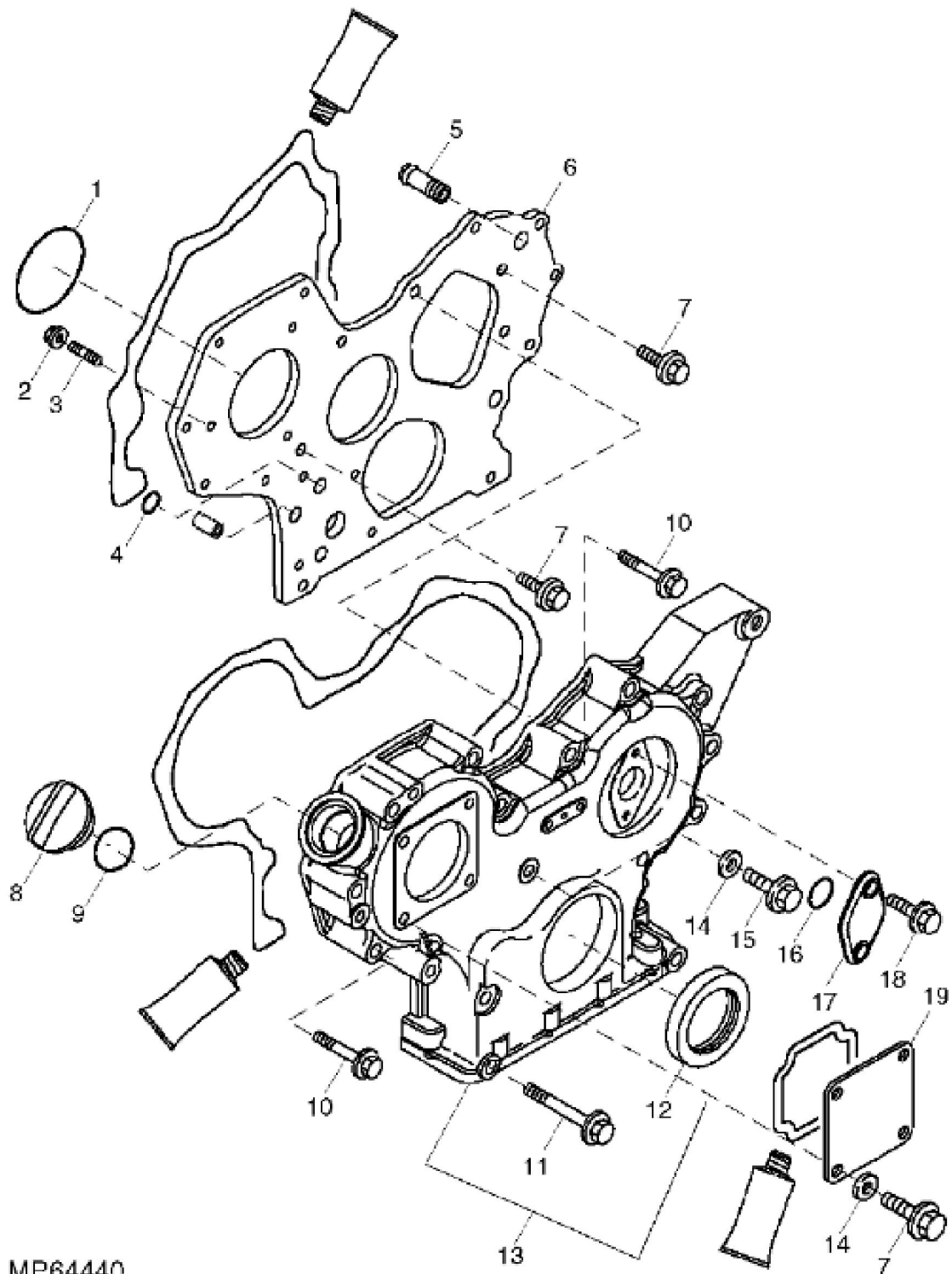
Hello dear friend!

Thank you very much for reading.

Enter the link into your browser.

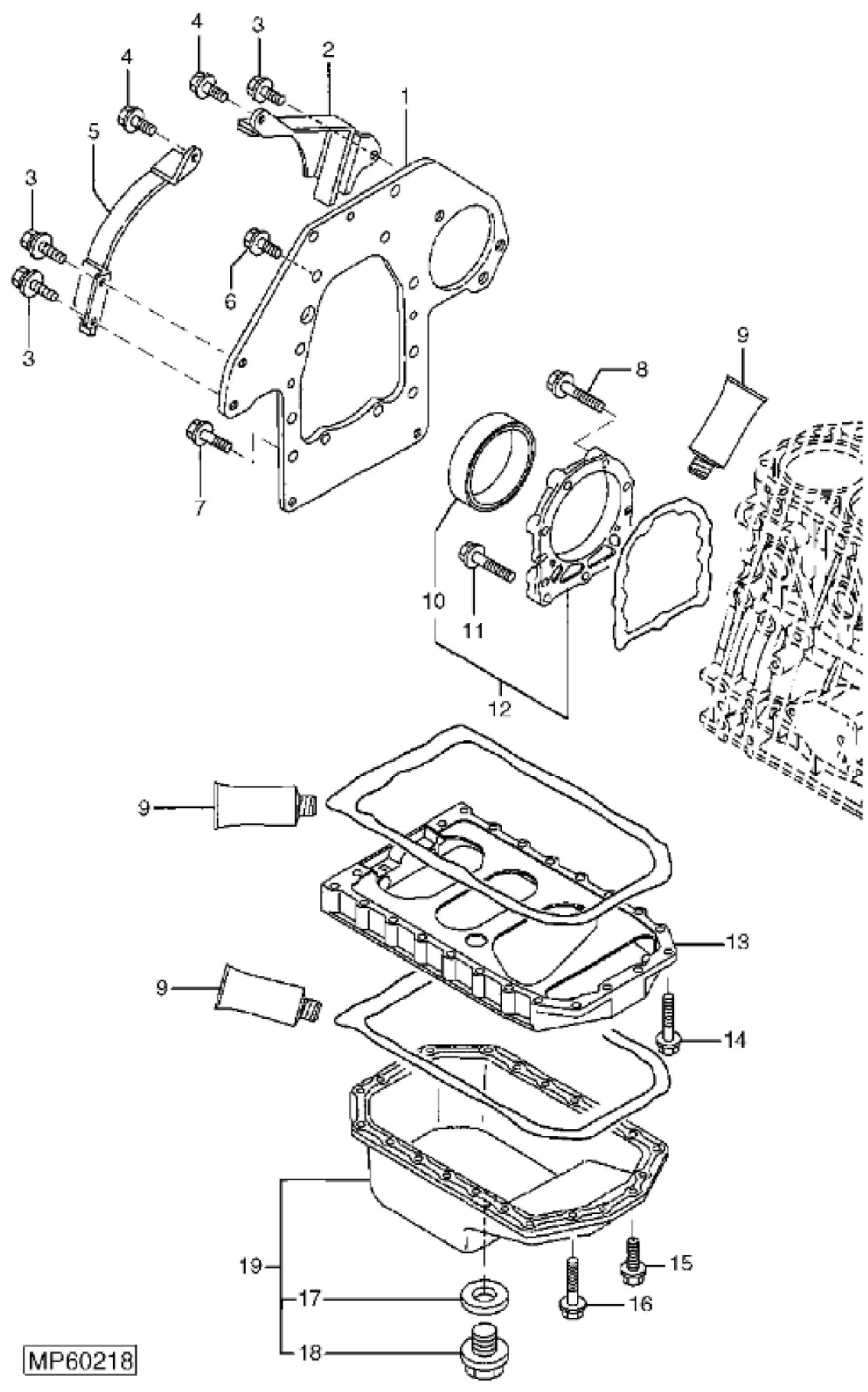
The full manual is available for immediate download.

<https://www.ebooklibonline.com>



MP64440

KEY	PART NO.	PART NAME	QTY	REMARKS	
1	CH16940	O-RING	1		
2	14M7298	FLANGE NUT	3	M8	
3	MIU800440	STUD	3		
4	M810185	O-RING	2		
5	T110730	UNIVERSAL JOINT	1		
6	MIU800906	FLANGE	1		
7	19M7865	SCREW	7	M8 X 16	
8	M805710	CAP	1		
9	M805711	PACKING	1		
10	19M7979	SCREW	12	M8 X 55	
11	CH19136	BOLT	3		
12	M811078	SEAL	1		
13	MIA880879	GEAR CASE	1		
14	M803523	WASHER	5		
15	19M7868	SCREW	1	M8 X 30	
16	CH17653	PACKING	1		
17	CASE	1		
18	19M7774	SCREW	2	M6 X 12	
19	CH18096	COVER	1		



MP60218



Suggest:

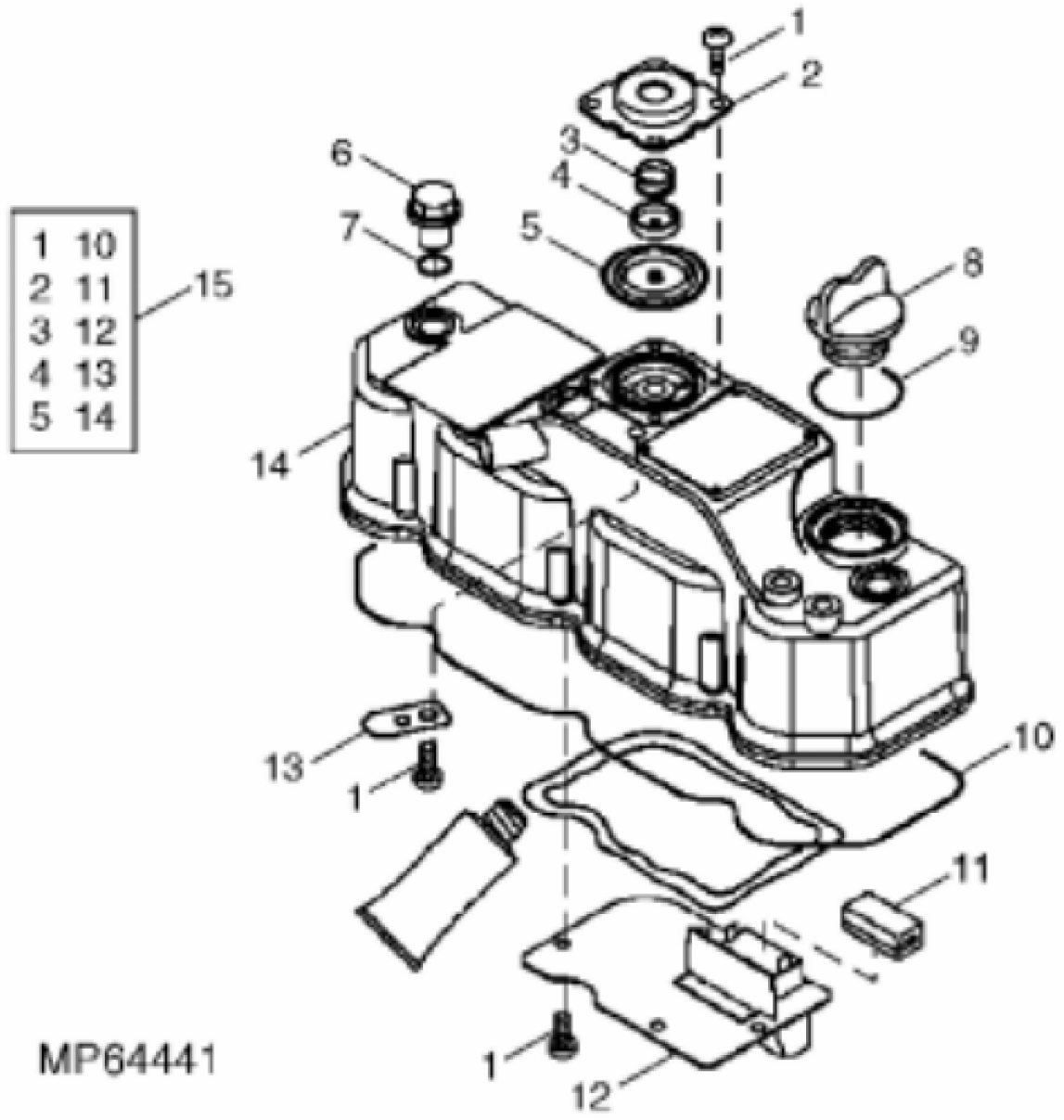
For more complete manuals. Please go to the home page.

<https://www.ebooklibonline.com>

If the above button click is invalid. Please download this document first, and then click the above link to download the complete manual.

Thank you so much for reading

KEY	PART NO.	PART NAME	QTY	REMARKS	
1	M800991	PLATE	1		
2	M805003	HOUSING	1	FLYWHEEL	
3	CH20044	BOLT	3		
4	19M7268	CAP SCREW	2	M12 X 25	
5	M805004	HOUSING	1		
6	M800011	BOLT	6		
7	19M7402	CAP SCREW	4	M10 X 25	
8	19M7868	SCREW	6	M8 X 30	
9	M64850	SEALANT	AR		
10	M805278	SEAL	1		
11	19M7897	SCREW	3	M8 X 35	
12	AM875375	CASE	1	OIL SEAL	
13	M801735	RESERVOIR	1	INTERMEDIATE	
14	19M7865	SCREW	4	M8 X 16	
15	19M7867	SCREW	2	M8 X 25	
16	CH19101	BOLT	20		
17	M806545	WASHER	1		
18	M800994	DRAIN PLUG	1		
19	AM878538	OIL PAN	1		



<https://www.ebooklibonline.com>

Hello dear friend!

Thank you very much for reading.

Enter the link into your browser.

The full manual is available for immediate download.

<https://www.ebooklibonline.com>