

MP40387

John Deere > Turf And Utility > MOWER, FAIRWAY > 7200 - MOWER, FAIRWAY > 7200 PrecisionCut Trim and Surrounds Mower > 20 ENGINE TCM12666 > ST463452 - CYLINDER BLOCK AND MAIN BEARINGS

KEY	PART NO.	PART NAME	QTY	Serial No.	REMARKS
1	M800970	BOLT	14		
2	M810048	ENGINE CYLINDER HEAD GASKET	1		
3	MIA880848	CYLINDER BLOCK	1		
4	CH10335	PLUG	3		
5	CH10314	PLUG	1		
6	M802255	PIN	4		
7	M806840	PLUG	1		
7	M809565	DRAIN PLUG	1		
8	CH18079	SPRING PIN	2		
9	30M7023	PLUG	6		
10	15H562	PIPE PLUG	1		1"
11	MIU800573	BUSHING	1		Camshaft
12	MIU800797	SHAFT	1		Idler
13	19M8317	BOLT	3		
14	M87801	PLUG	2		
15	M800974	PIPE	2		
16	MIA880553	BEARING KIT	2		Thrust, STD
16	MIA880557	BEARING KIT	2		0.25MM (.010"), Thrust OS
17	MIA880559	BEARING KIT	4		Main, STD
17	MIA880549	BEARING KIT	4		0.25MM (.010"), MAIN US
18	BEARING CAP	3		
19	M87879	BOLT	8		
20	BEARING CAP	1		
..	MIA11574	DIESEL ENGINE	1	____-050000	MARKED 3TNV82A-BMJWS; NLA; ORDER MIA882680
..	MIA12556	DIESEL ENGINE	1	050001-____	MARKED 3TNV82A-BMJWS; ORDER MIA882680
..	MIA880853	SHORT BLOCK ASSEMBLY	1		ORDER MIA882680
..	MIA882680	SHORT BLOCK ASSEMBLY	1		

<https://www.ebooklibonline.com>

Hello dear friend!

Thank you very much for reading.

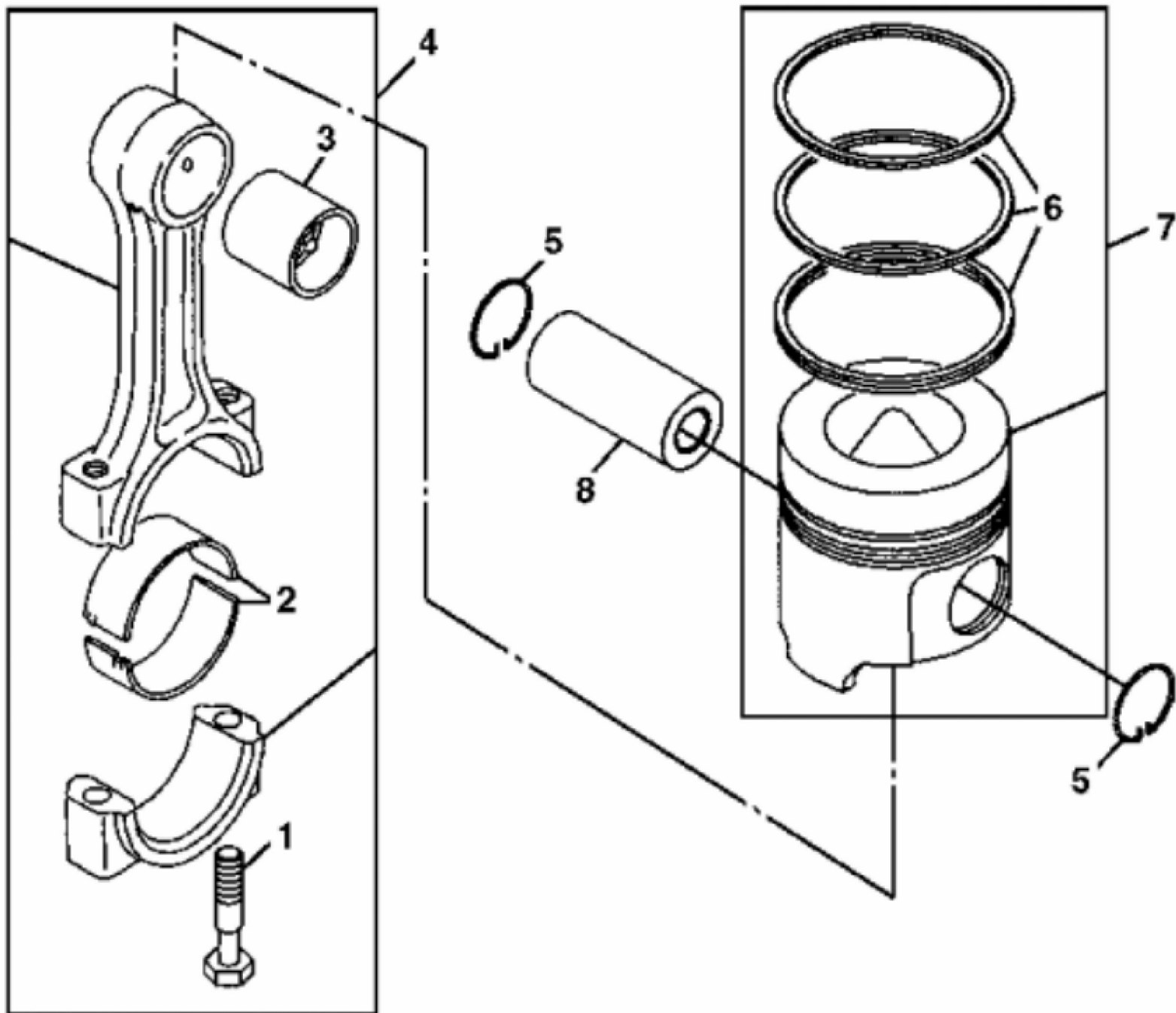
Enter the link into your browser.

The full manual is available for immediate download.

<https://www.ebooklibonline.com>

John Deere > Turf And Utility > MOWER, FAIRWAY > 7200 - MOWER, FAIRWAY > 7200 PrecisionCut Trim and Surrounds Mower > 20 ENGINE TCM12666 > ST463454 - CYLINDER HEAD COVER AND GASKETS

KEY	PART NO.	PART NAME	QTY	REMARKS
1	M807374	SCREW	4	
2	M811649	COVER	1	
3	M811650	SPRING	1	
4	M811046	PLATE	1	
5	M811048	DIAPHRAGM	1	
6	CH10348	NUT	3	HEAD COVER
7	CH10568	PACKING	3	
8	COVER	1	CYLINDER HEAD (ORDER AM882142)
9	M64850	SEALANT	AR	
10	M811353	PLATE	1	BAFFLE
11	M807374	SCREW	4	
12	M801032	DEFLECTOR	1	
13	M811359	GASKET	1	HEAD COVER
14	M805711	PACKING	1	
15	M805710	CAP	1	
16	AM882142	COVER	1	CYLINDER HEAD



MP18666



Suggest:

For more complete manuals. Please go to the home page.

<https://www.ebooklibonline.com>

If the above button click is invalid. Please download this document first, and then click the above link to download the complete manual.

Thank you so much for reading

KEY	PART NO.	PART NAME	QTY	REMARKS	
1	M801068	BOLT	2		
2	MIA880562	BEARING	1	STD	
2	MIA880567	BEARING	1	0.25 MM (0.010"), US	
3	M801075	BEARING	1		
4	AM875320	CONNECTING ROD	3		
5	RG60161	SNAP RING	6		
6	AM881986	PISTON RING KIT	1	STD	
6	PISTON RING KIT	1	0.25 MM (0.010"), OS	
7	MIA880842	PISTON	3	STD	
7	MIA880843	PISTON	3	0.25 MM (0.010"), OS	
8	M806430	PISTON PIN	3		

<https://www.ebooklibonline.com>

Hello dear friend!

Thank you very much for reading.

Enter the link into your browser.

The full manual is available for immediate download.

<https://www.ebooklibonline.com>