

KEY	PART NO.	PART NAME	QTY	REMARKS
1	R535005	CAP SCREW	10	
2	R114240	BEARING CAP	1	
3	R97185	O-RING	1	
4	R114241	BEARING CAP	4	
5	B153R	DOWEL PIN	2	
6	R121043	VALVE	1	(Bypass Valve)
7	R111137	SPRING	1	
8	R131425	COMPRESSION SPRING	1	
9	RE505501	BLEED VALVE	1	
10	T18891	PLUG	2	
11	R115299	BUSHING	6	
12	R119874	BUSHING	1	
13	R116466	PLUG	1	
14	RE42713	PIPE PLUG	5	
15	RE539115	FITTING	2	
16	51M7043	O-RING	1	15.300 X 2.200 mm
17	51M7045	O-RING	1	19.300 X 2.200 mm
18	RE505232	FITTING	1	
19	15H695	PIPE PLUG	1	3/8"
20	R131182	ORIFICE	4	
21	RE539114	FITTING	3	
22	51M7041	O-RING	1	11.300 X 2.200 mm
23	A120R	DOWEL PIN	4	
24	CYLINDER BLOCK	1	MARKED R534787; ORDER RE545937 OR RE570964 OR RE571510
25	RE508185	FITTING	2	
26	U13639	O-RING	1	

<https://www.ebooklibonline.com>

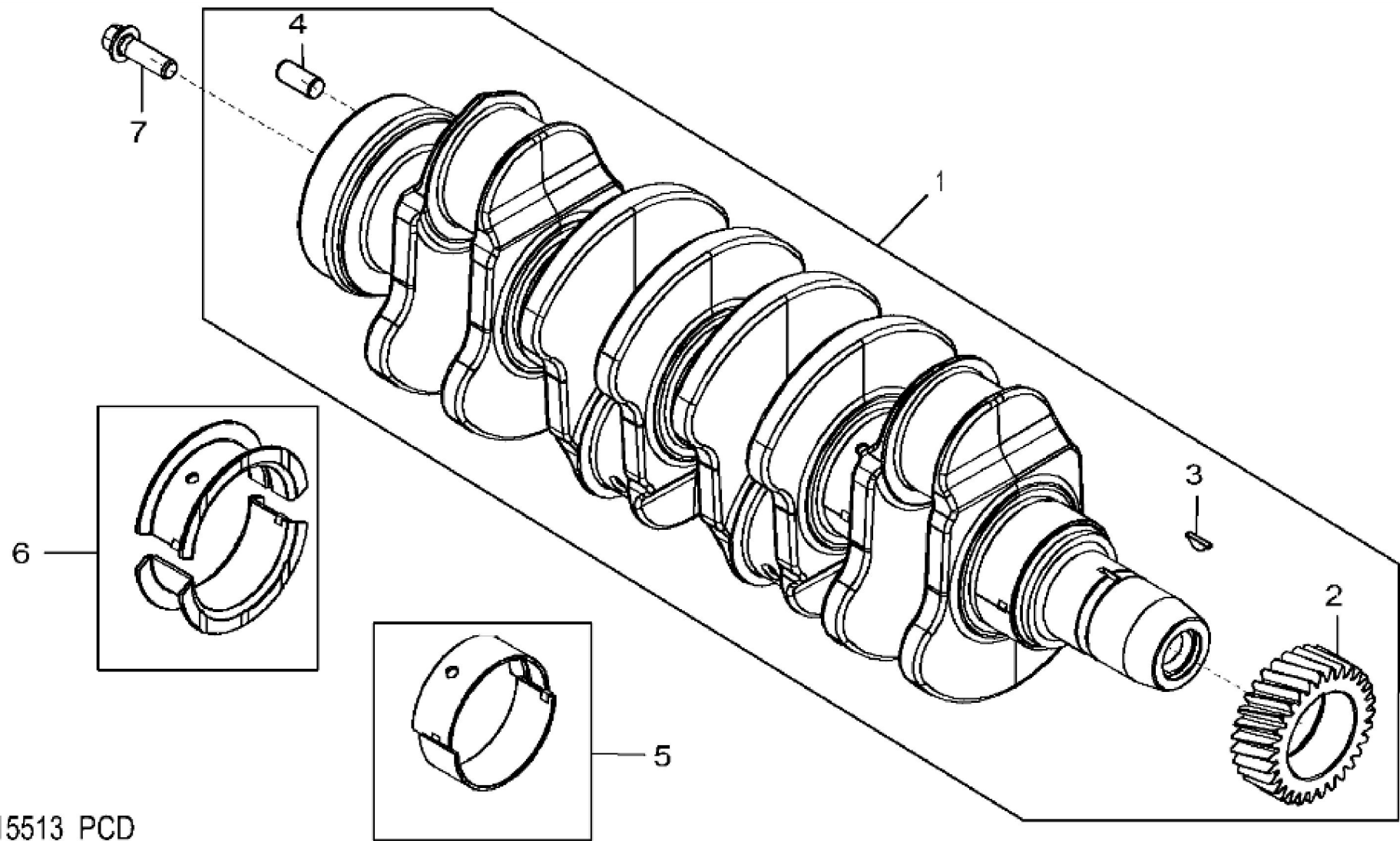
Hello dear friend!

Thank you very much for reading.

Enter the link into your browser.

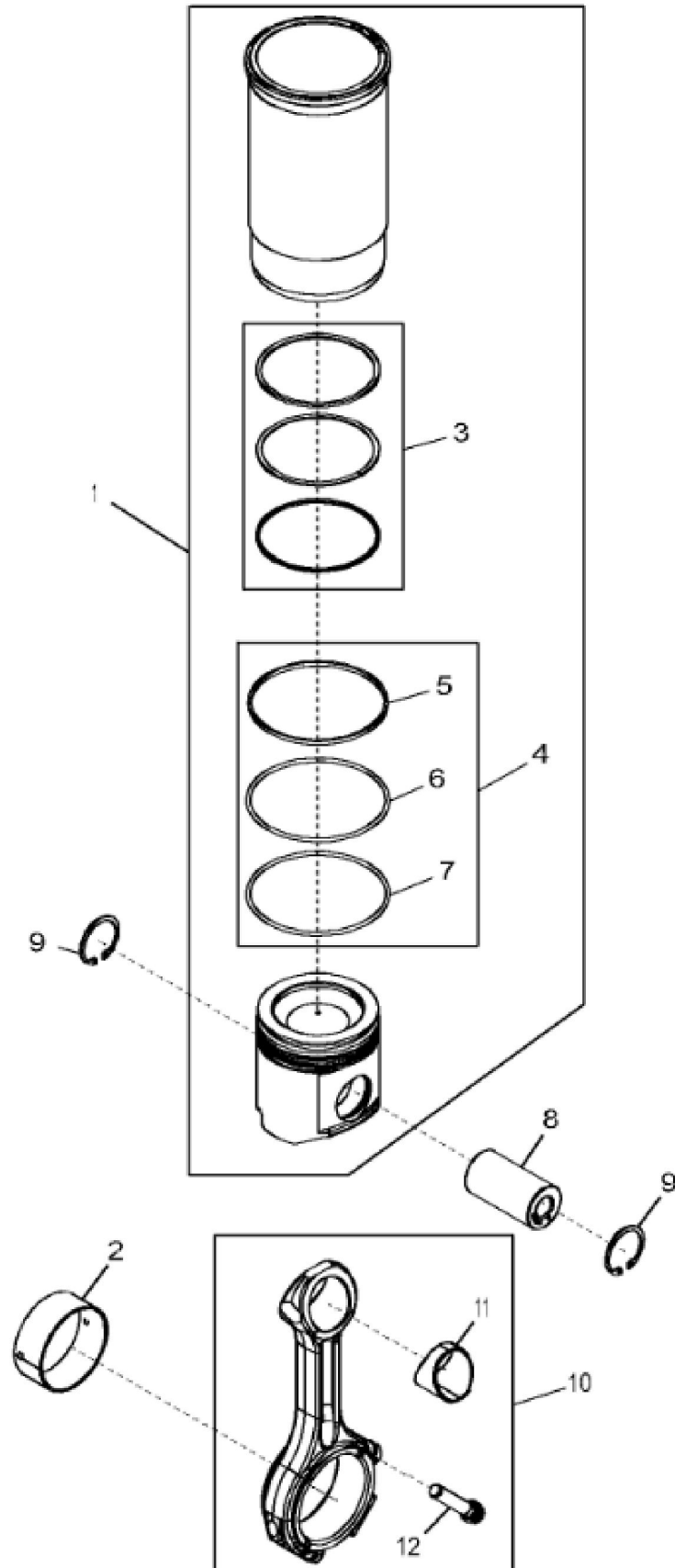
The full manual is available for immediate download.

<https://www.ebooklibonline.com>



4715_RE515513_PCD

KEY	PART NO.	PART NAME	QTY	REMARKS
1	RE506195	CRANKSHAFT	1	(Grinding Guidelines : See CTM104) (Iron) ALSO ORDER RE538097 AND RE44574
1	SE501656	CRANKSHAFT REMAN	1	(With Bearings) REMAN FOR RE506195
2	R120631	GEAR	1	Z = 30
3	R505609	SHAFT KEY	1	
4	A120R	DOWEL PIN	1	
5	RE65165	BEARING KIT	4	STD KIT, MARKED R123561 AND R123562
5	RE65911	BEARING	1	US -0.254 MM , MARKED R130576 AND R130577
6	RE65168	BEARING KIT	1	STD KIT, MARKED R123563 AND R123564
6	RE65912	THRUST BEARING	1	US -0.254MM , MARKED R130576 AND R130577
7	R135918	BOLT	4	





Suggest:

For more complete manuals. Please go to the home page.

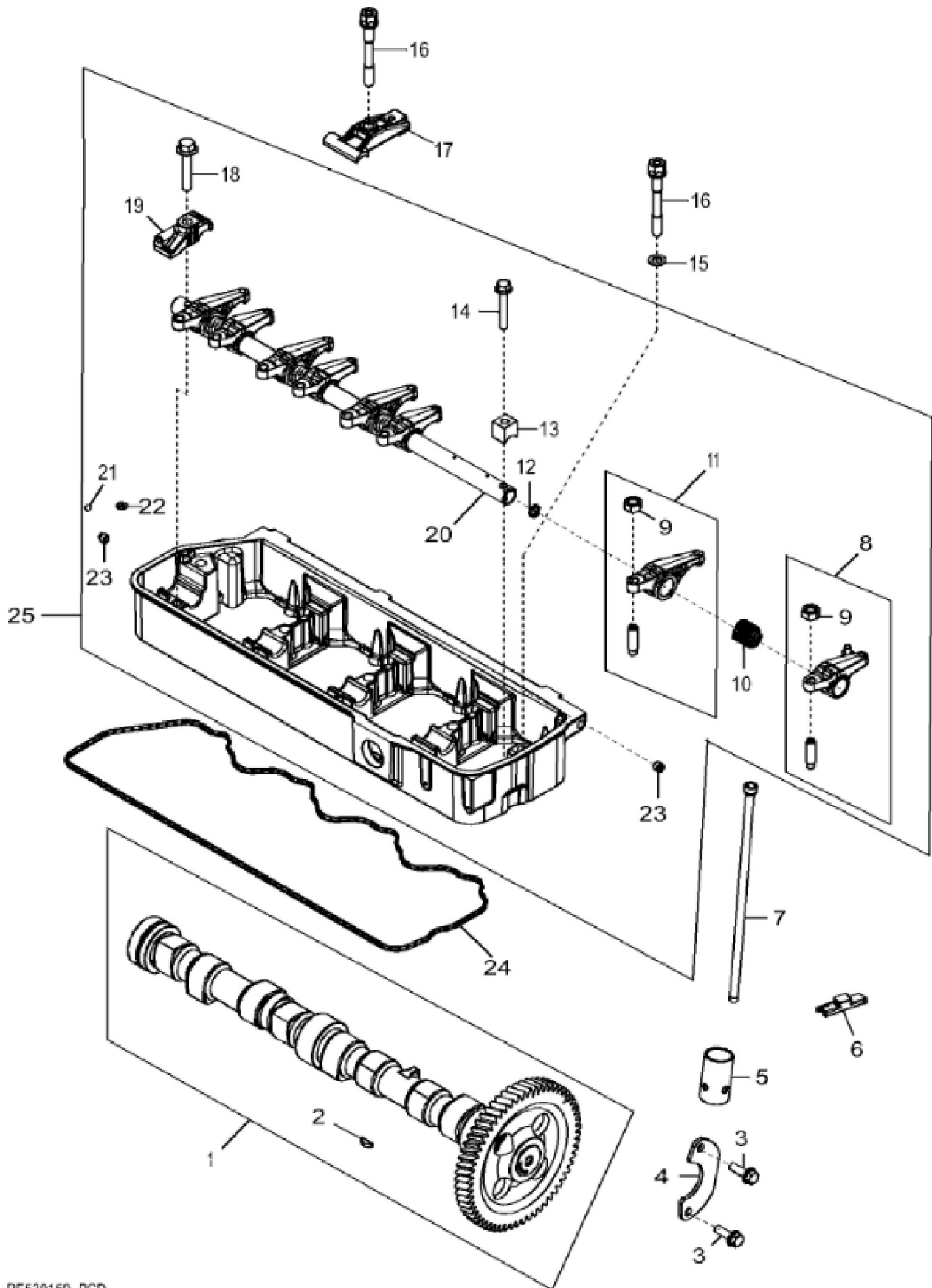
<https://www.ebooklibonline.com>

If the above button click is invalid. Please download this document first, and then click the above link to download the complete manual.

Thank you so much for reading

RODS AND PISTONS

KEY	PART NO.	PART NAME	QTY	REMARKS	
1	RE544825	PISTON-LINER KIT	4	PISTON MARKED RE544607	
2	RE65908	BEARING	4	KIT (2) R113698	
3	RE539423	PISTON RING KIT	4		
4	AR65507	O-RING KIT	4		
5	R48767	PACKING	4		
6	R26121	O-RING	4		
7	R55453	O-RING	4		
8	R502755	PISTON PIN	4	OD = 41 mm; LGTH = 77 mm	
9	R54114	SNAP RING	8		
10	RE500608	CONNECTING ROD	4	MARKED R500335	
10	SE501094	CONNECTING ROD REMAN	AR	REMAN FOR RE500608	
11	R114082	BUSHING	4		
12	R501124	SCREW	8		



<https://www.ebooklibonline.com>

Hello dear friend!

Thank you very much for reading.

Enter the link into your browser.

The full manual is available for immediate download.

<https://www.ebooklibonline.com>