

John Deere > Turf And Utility >TRACTOR >5055E - TRACTOR >5055E, 5065E and 5075E Tractors (Tier3)(Europe/Australia Edition, 9X3 TSS Transmission W/ OOS) >20 ENGINE >ST356416 - CYLINDER BLOCK

| KEY | PART NO. | PART NAME | QTY | REMARKS |
|-----|----------|-----------------|-----|--------------------------------|
| 1 | R54802 | ORIFICE | 3 | |
| 2 | A120R | DOWEL PIN | 4 | OD= 12.7 MM |
| 3 | B153R | DOWEL PIN | 2 | OD= 9.5 MM |
| 4 | 19H1912 | CAP SCREW | 2 | 3/8" X 3-1/2" |
| 5 | T25701 | STUD | 1 | |
| 6 | T18891 | PLUG | 2 | |
| 7 | R26493 | BUSHING | 1 | |
| 8 | R111137 | SPRING | 1 | |
| 9 | R121043 | VALVE | 1 | |
| 10 | R528387 | CAP SCREW | 8 | |
| 11 | R32214 | WASHER | 8 | |
| 12 | R65215 | BEARING CAP | 3 | |
| 13 | R65214 | BEARING CAP | 1 | |
| 14 | R97185 | O-RING | 1 | |
| 15 | | CYLINDER BLOCK | 1 | ORDER RE538002; MARKED R130874 |
| 16 | T23435 | THREADED NIPPLE | 1 | |
| 17 | RE71255 | PIPE PLUG | 2 | |
| 18 | 15H275 | PIPE PLUG | 1 | 1/4" |
| 19 | 15H653 | PIPE PLUG | 1 | 1" |
| 20 | 15H695 | PIPE PLUG | 1 | 3/8" |
| 21 | 14H1076 | NUT | 1 | 3/8" |
| 22 | D2361R | BALL | 1 | |

<https://www.ebooklibonline.com>

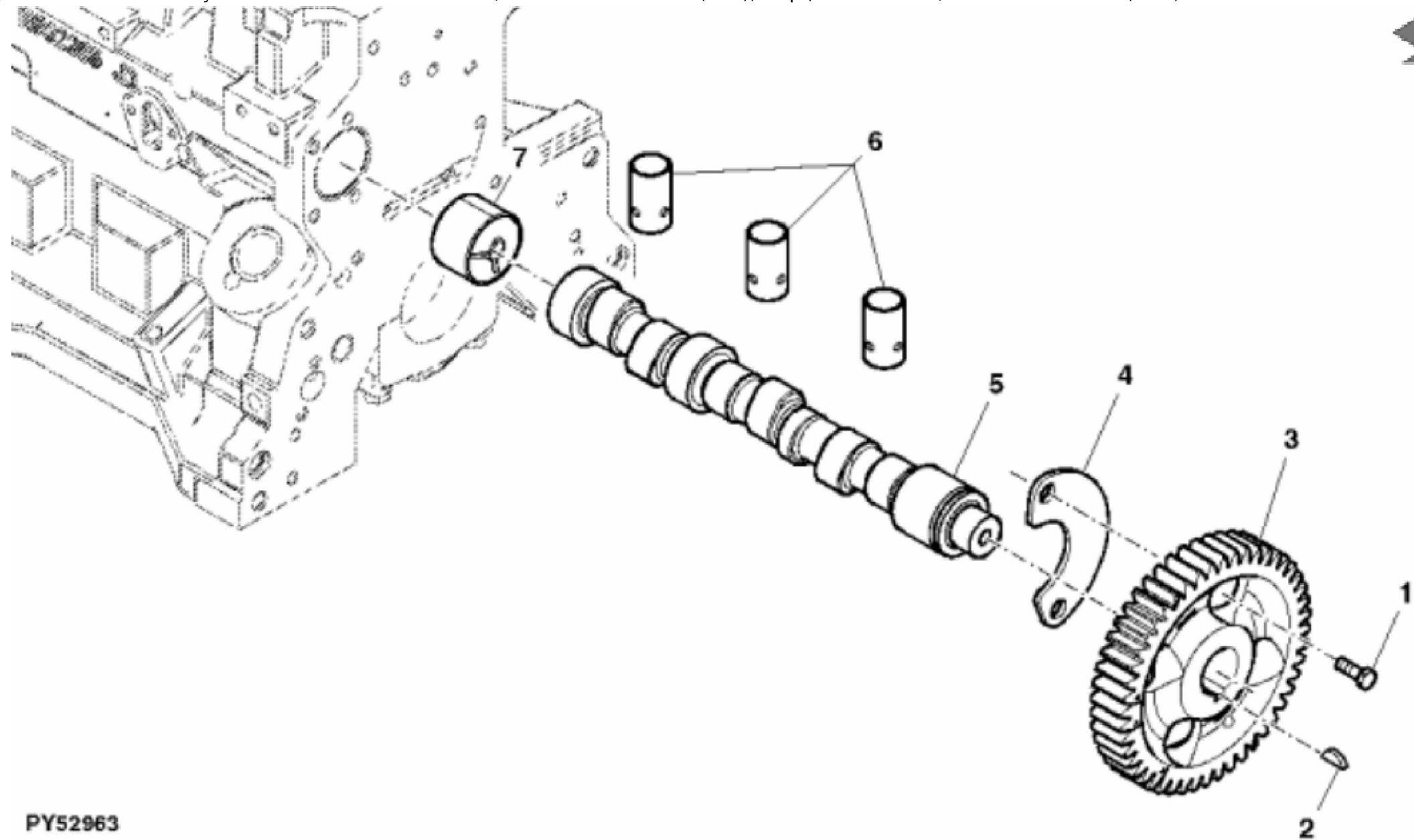
Hello dear friend!

Thank you very much for reading.

Enter the link into your browser.

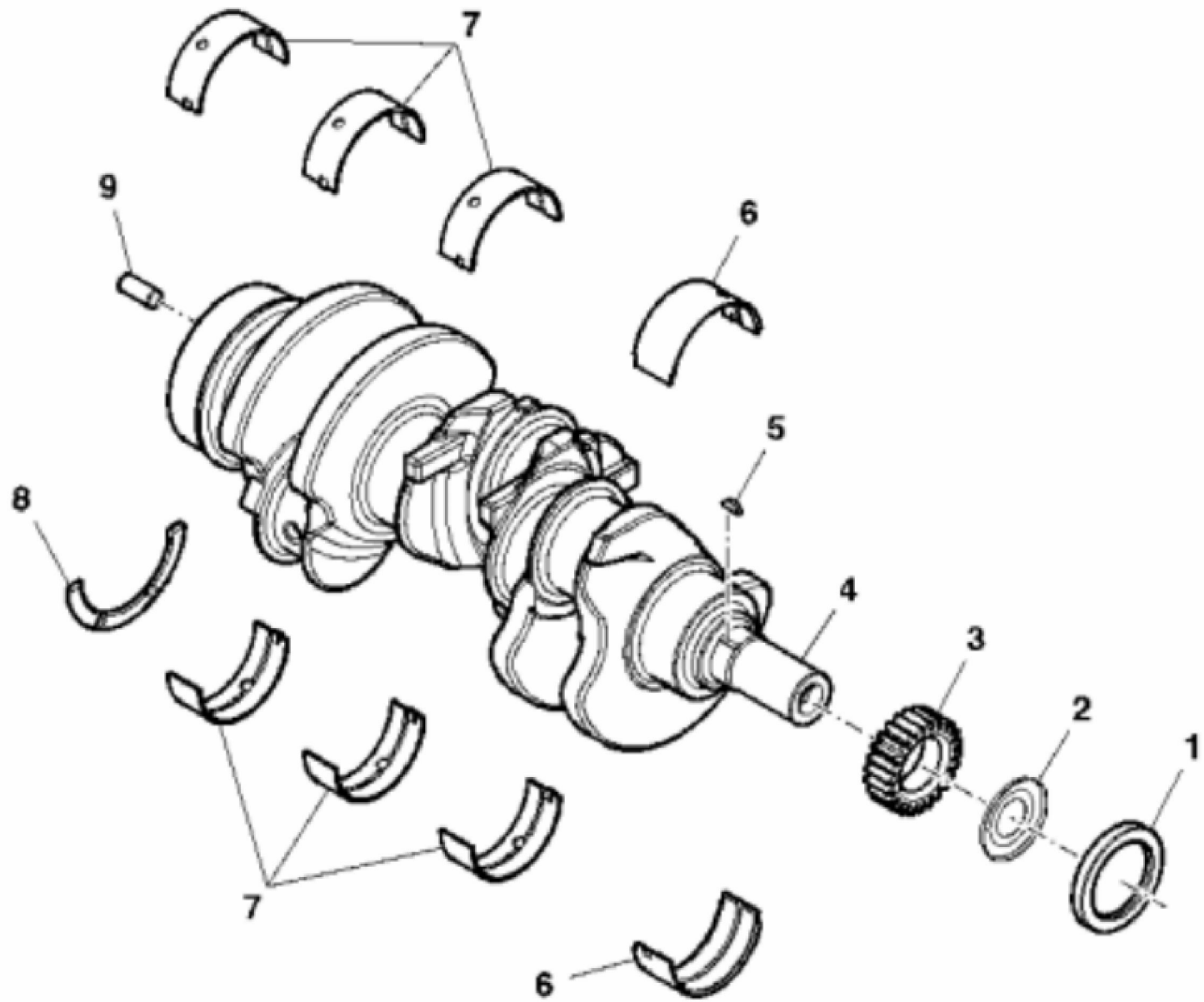
The full manual is available for immediate download.

<https://www.ebooklibonline.com>



PY52963

| KEY | PART NO. | PART NAME | QTY | REMARKS | |
|-----|----------|--------------|-----|-------------------|--|
| 1 | 19H218 | CAP SCREW | 2 | 3/8" X 1" | |
| 2 | 26H72 | SHAFT KEY | 1 | 1/8" X 5/8" | |
| 3 | R503793 | GEAR | 1 | | |
| 4 | R515091 | PLATE | 1 | | |
| 5 | RE540035 | CAMSHAFT | 1 | (INCL KEYS 2 & 3) | |
| 6 | R515092 | CAM FOLLOWER | 6 | | |
| 7 | R119874 | BUSHING | 1 | | |



PY52964



Suggest:

For more complete manuals. Please go to the home page.

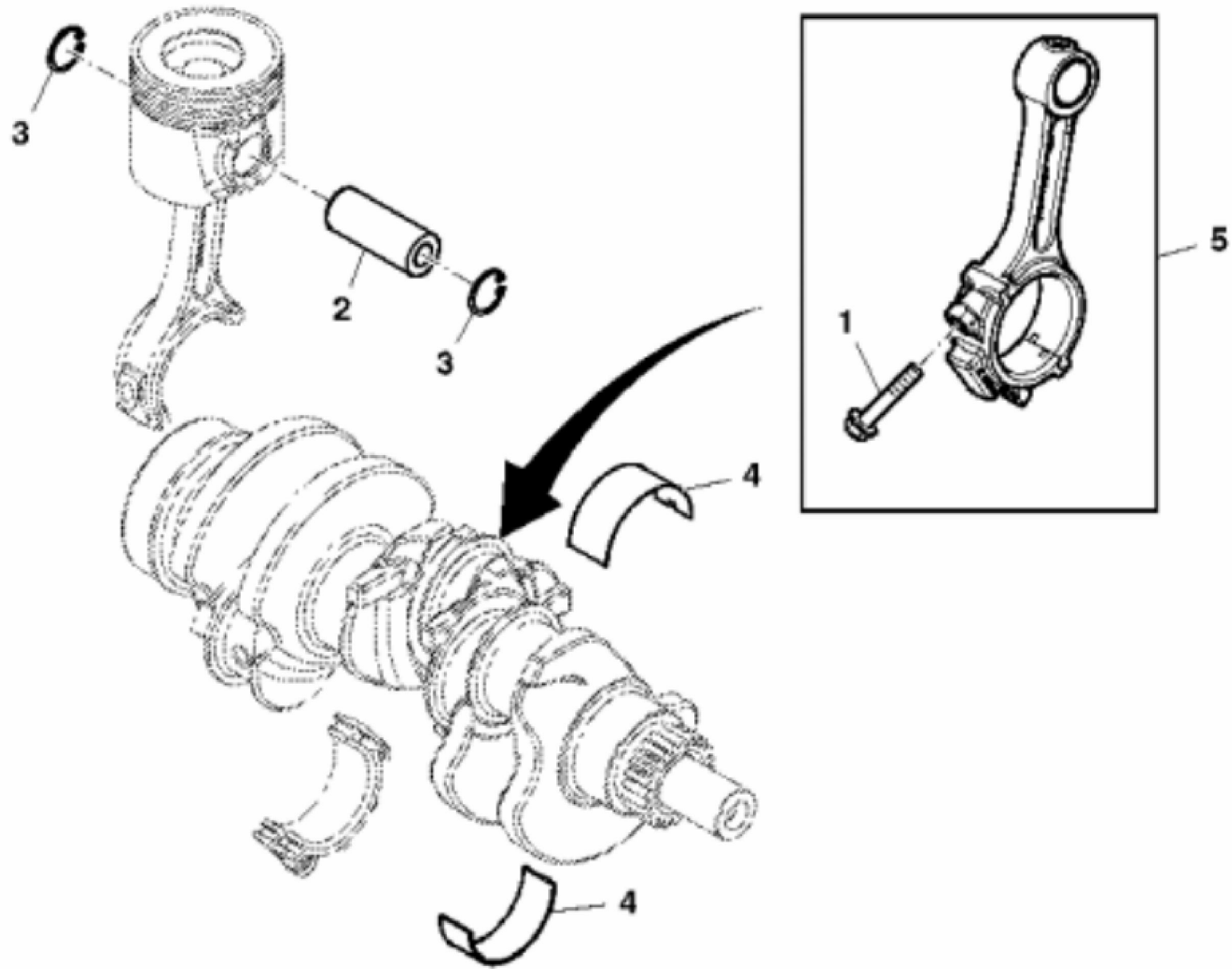
<https://www.ebooklibonline.com>

If the above button click is invalid. Please download this document first, and then click the above link to download the complete manual.

Thank you so much for reading

John Deere > Turf And Utility > TRACTOR > 5055E - TRACTOR > 5055E, 5065E and 5075E Tractors (Tier3)(Europe/Australia Edition, 9X3 TSS Transmission W/ OOS) > 20 ENGINE > ST356418 - CRANKSHAFT / BEARINGS

| KEY | PART NO. | PART NAME | QTY | REMARKS |
|-----|----------|---------------|-----|---|
| 1 | AR67942 | SEAL | 1 | |
| 2 | T20046 | OIL SLINGER | 1 | |
| 3 | R538912 | GEAR | 1 | SUB FOR R504262 AND R100850 |
| 4 | RE502385 | CRANKSHAFT | 1 | (FOR GRINDING GUIDELINES: SEE RELEVANT CTM) |
| 5 | 26H72 | SHAFT KEY | 1 | 1/8" X 5/8" |
| 6 | R515305 | BEARING | 2 | STD |
| 7 | R515304 | BEARING | 6 | STD |
| 8 | R516362 | THRUST WASHER | 3 | |
| 9 | A120R | DOWEL PIN | 1 | OD= 12.7 MM |



PY52965

<https://www.ebooklibonline.com>

Hello dear friend!

Thank you very much for reading.

Enter the link into your browser.

The full manual is available for immediate download.

<https://www.ebooklibonline.com>