

KEY	PART NO.	PART NAME	QTY	REMARKS
1	RE540035	CAMSHAFT	1	
2	26H72	SHAFT KEY	1	1/8" X 5/8"
3	15H695	PIPE PLUG	1	3/8"
4	R54802	ORIFICE	3	
5	RE520768	PISTON-LINER KIT	3	INCLUDES RE562923
6	RE525162	O-RING KIT	3	
7	15H653	PIPE PLUG	1	1"
8	CYLINDER BLOCK	1	ORDER DZ10508
8	DZ10508	SHORT BLOCK ASSEMBLY	1	
9	15H275	PIPE PLUG	1	1/4"
10	T23474	CAP SCREW	8	
11	R26493	BUSHING	1	
12	R119874	BUSHING	1	
13	T23435	THREADED NIPPLE	1	
14	R111137	SPRING	1	
15	R121043	VALVE	1	
16	B153R	DOWEL PIN	2	
17	D2361R	BALL	1	
18	R97185	O-RING	1	
19	RE507807	PIPE PLUG	1	
20	A120R	DOWEL PIN	4	
21	R534150	PLATE	1	
22	19M8999	SCREW	2	M8 X 25
23	T18891	PLUG	2	
24	RE562923	PIN KIT	3	(Not Illustrated)

<https://www.ebooklibonline.com>

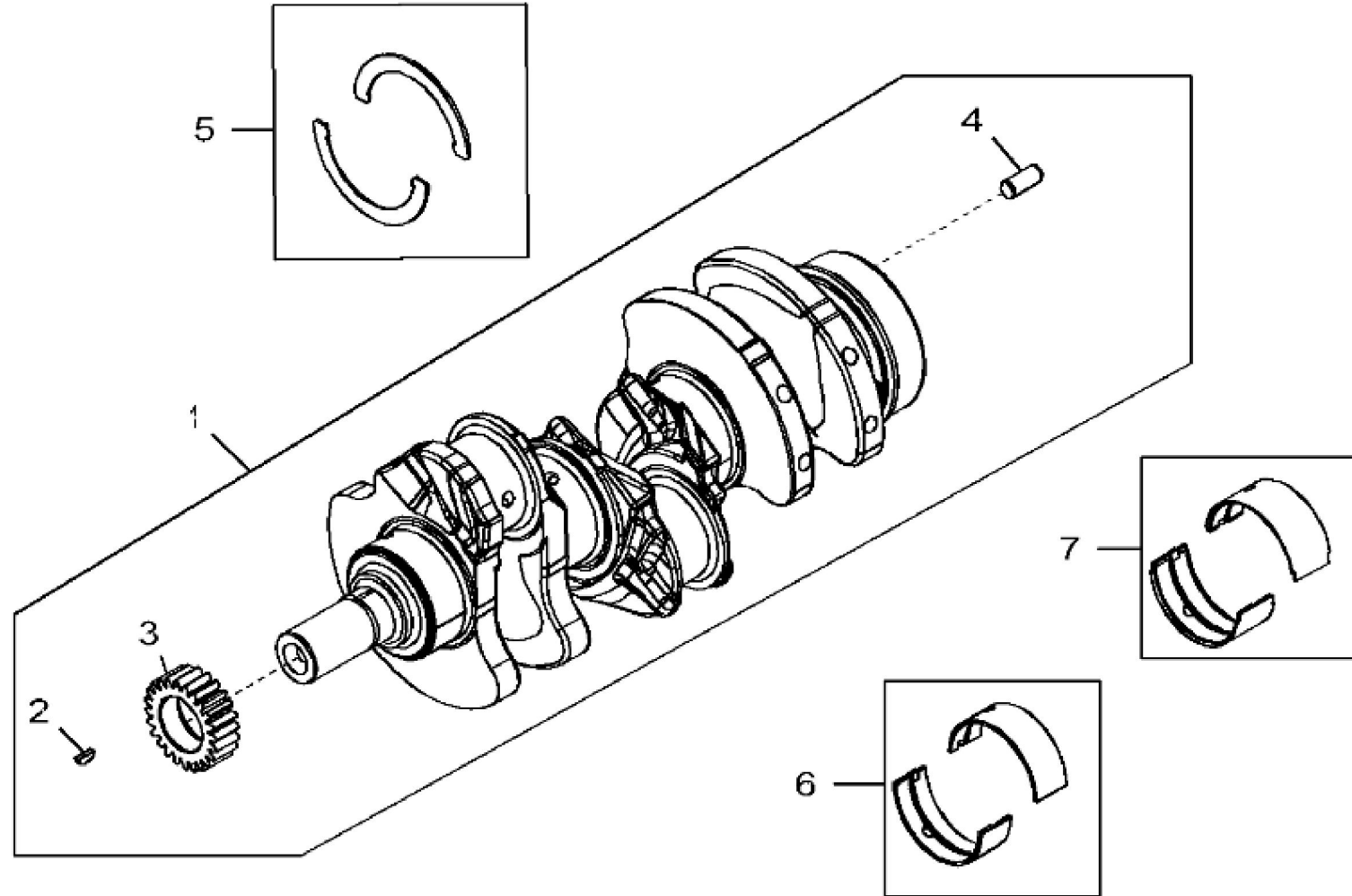
Hello dear friend!

Thank you very much for reading.

Enter the link into your browser.

The full manual is available for immediate download.

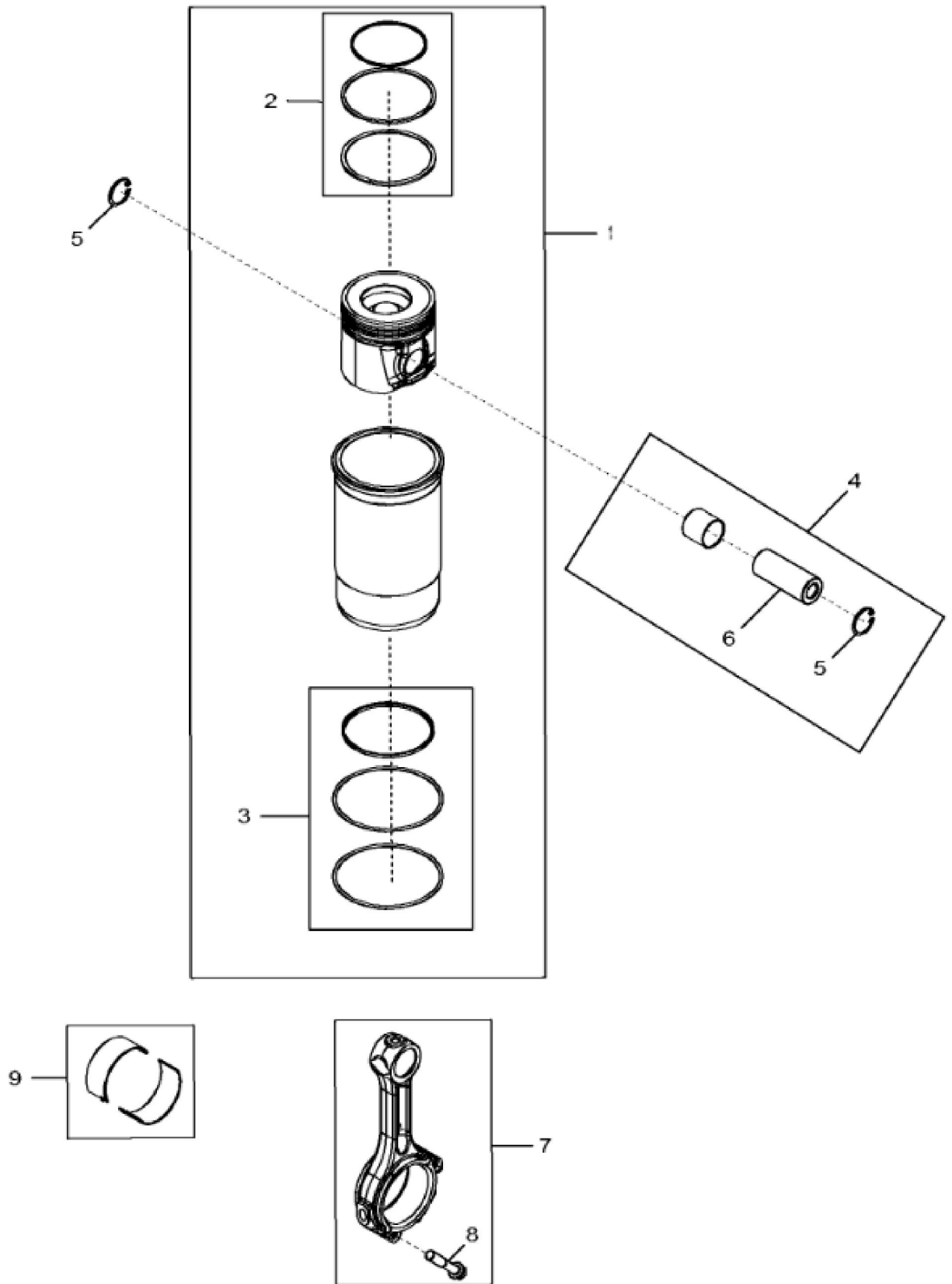
<https://www.ebooklibonline.com>



4728_RE552305_PCD

John Deere > Turf And Utility >TRACTOR >5055E - TRACTOR >5055E Tractor (IT4)(9X3 TSS Transmission W/ Cab)(12X12 PR Transmission W/ Cab and OOS) (For Europe, Australia, New Zealand, JDLA, Sub-Saharan Africa and Mexico) >20 ENGINE 3029HPY32-DZ100830 >ST758744 - 4728 CRANKSHAFT AND BEARINGS

KEY	PART NO.	PART NAME	QTY	REMARKS
1	CRANKSHAFT	1	ORDER RE565459 OR DZ101387 OR DZ10463
1	RE565459	CRANKSHAFT	1	(Only For 5M FT4 Engines) (Not Illustrated) KIT
1	DZ101387	CRANKSHAFT	1	(Only For 5E and OEM FT4 Engines) (Not Illustrated) KIT
1	DZ10463	CRANKSHAFT	1	(Only For Non FT4 3029 Engines) (Not Illustrated) KIT
2	26H72	SHAFT KEY	1	1/8" X 5/8"
3	R538912	GEAR	1	Z = 24; MARKED R542963; SUB FOR APPL R504262 OR R100850
4	A120R	DOWEL PIN	1	
5	R516362	THRUST WASHER	3	
6	AT21140	BEARING	3	KIT; (2) R515304
7	RE57279	BEARING KIT	1	KIT; (2) R515305





Suggest:

For more complete manuals. Please go to the home page.

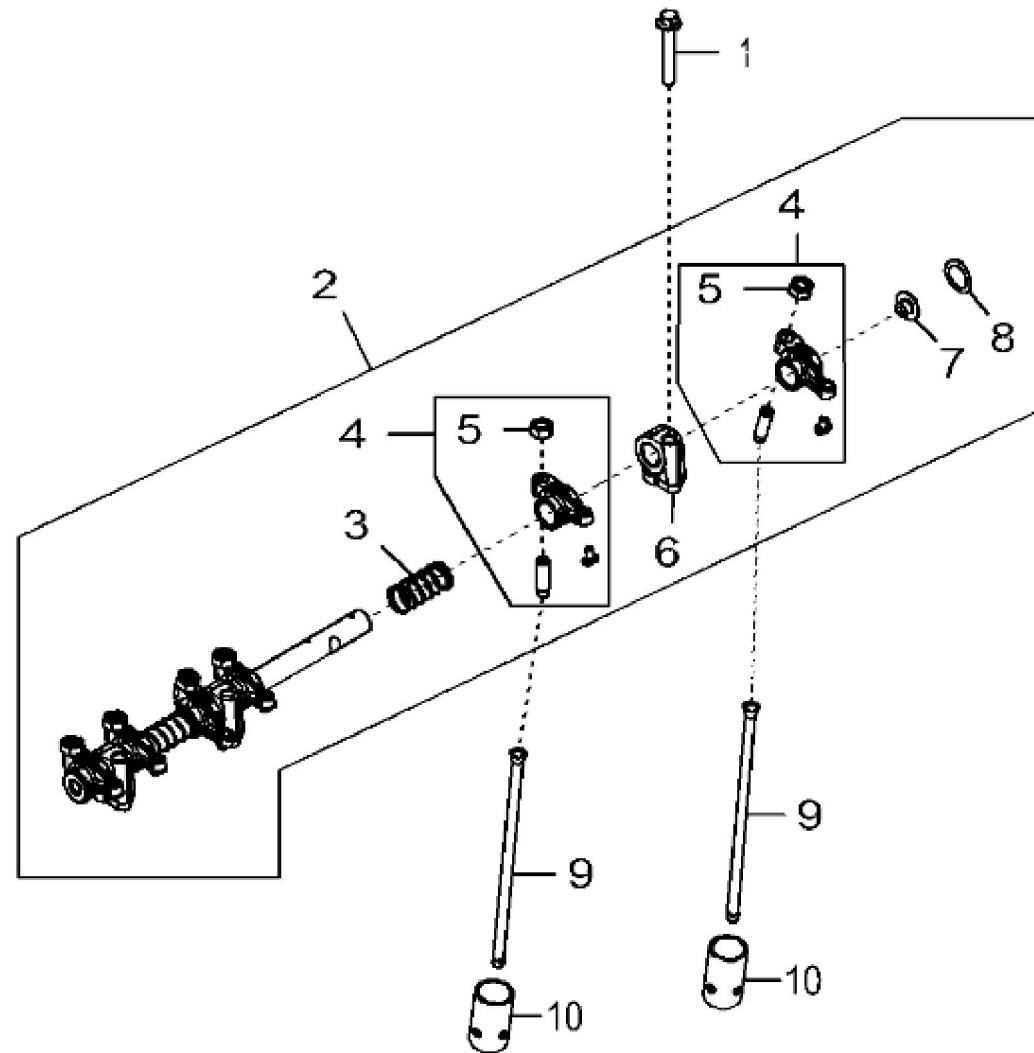
<https://www.ebooklibonline.com>

If the above button click is invalid. Please download this document first, and then click the above link to download the complete manual.

Thank you so much for reading

John Deere > Turf And Utility >TRACTOR >5055E - TRACTOR >5055E Tractor (IT4)(9X3 TSS Transmission W/ Cab)(12X12 PR Transmission W/ Cab and OOS) (For Europe, Australia, New Zealand, JDLA, Sub-Saharan Africa and Mexico) >20 ENGINE 3029HPY32-DZ100830 >ST633584 - 4845 CONNECTING RODS AND PISTONS

KEY	PART NO.	PART NAME	QTY	REMARKS
1	RE544675	PISTON-LINER KIT	3	
2	RE521814	PISTON RING KIT	1	
3	RE525162	O-RING KIT	1	
4	RE562923	PIN KIT	3	
5	40M1856	SNAP RING	6	
6	RE68540	CONNECTING ROD	3	SUB FOR R130145
7	RE507799	CONNECTING ROD	3	
8	R516517	SCREW	2	
8	R80033	CAP SCREW	2	(For India Market Only)
9	RE27348	BEARING KIT	3	



<https://www.ebooklibonline.com>

Hello dear friend!

Thank you very much for reading.

Enter the link into your browser.

The full manual is available for immediate download.

<https://www.ebooklibonline.com>