

- 4655 CYLINDER BLOCK

| KEY | PART NO. | PART NAME | QTY | REMARKS |
|-----|----------|-----------------|-----|----------------|
| 1 | R502260 | CYLINDER LINER | 3 | |
| 2 | R515306 | O-RING | 3 | |
| 3 | R515466 | O-RING | 3 | |
| 4 | | CYLINDER BLOCK | 1 | ORDER RE544677 |
| 5 | 15H584 | PIPE PLUG | 1 | 1/2" |
| 6 | R48685 | DOWEL PIN | 4 | |
| 7 | R26493 | BUSHING | 1 | |
| 8 | 15H695 | PIPE PLUG | 1 | 3/8" |
| 9 | RE42713 | PIPE PLUG | 2 | |
| 10 | 15H685 | PIPE PLUG | 1 | 1/4" |
| 11 | R65214 | BEARING CAP | 1 | |
| 12 | R121043 | VALVE | 1 | |
| 13 | R65215 | BEARING CAP | 3 | |
| 14 | T20168 | WASHER | 8 | |
| 15 | R528387 | CAP SCREW | 8 | SUB FOR T23474 |
| 16 | R26650 | DOWEL PIN | 2 | |
| 17 | R97185 | O-RING | 1 | |
| 18 | R119874 | BUSHING | 1 | |
| 19 | T18891 | PLUG | 2 | |
| 20 | T23435 | THREADED NIPPLE | 1 | |
| 21 | R54802 | ORIFICE | 3 | |
| 22 | RE540035 | CAMSHAFT | 1 | |
| 23 | 26H72 | SHAFT KEY | 1 | 1/8" X 5/8" |
| 24 | T20072 | PLATE | 1 | |
| 25 | 19H2676 | CAP SCREW | 2 | 3/8" X 1" |
| 26 | R516126 | PACKING | 3 | |
| .. | 15H562 | PIPE PLUG | 1 | 1" |
| .. | R503793 | GEAR | 1 | |

<https://www.ebooklibonline.com>

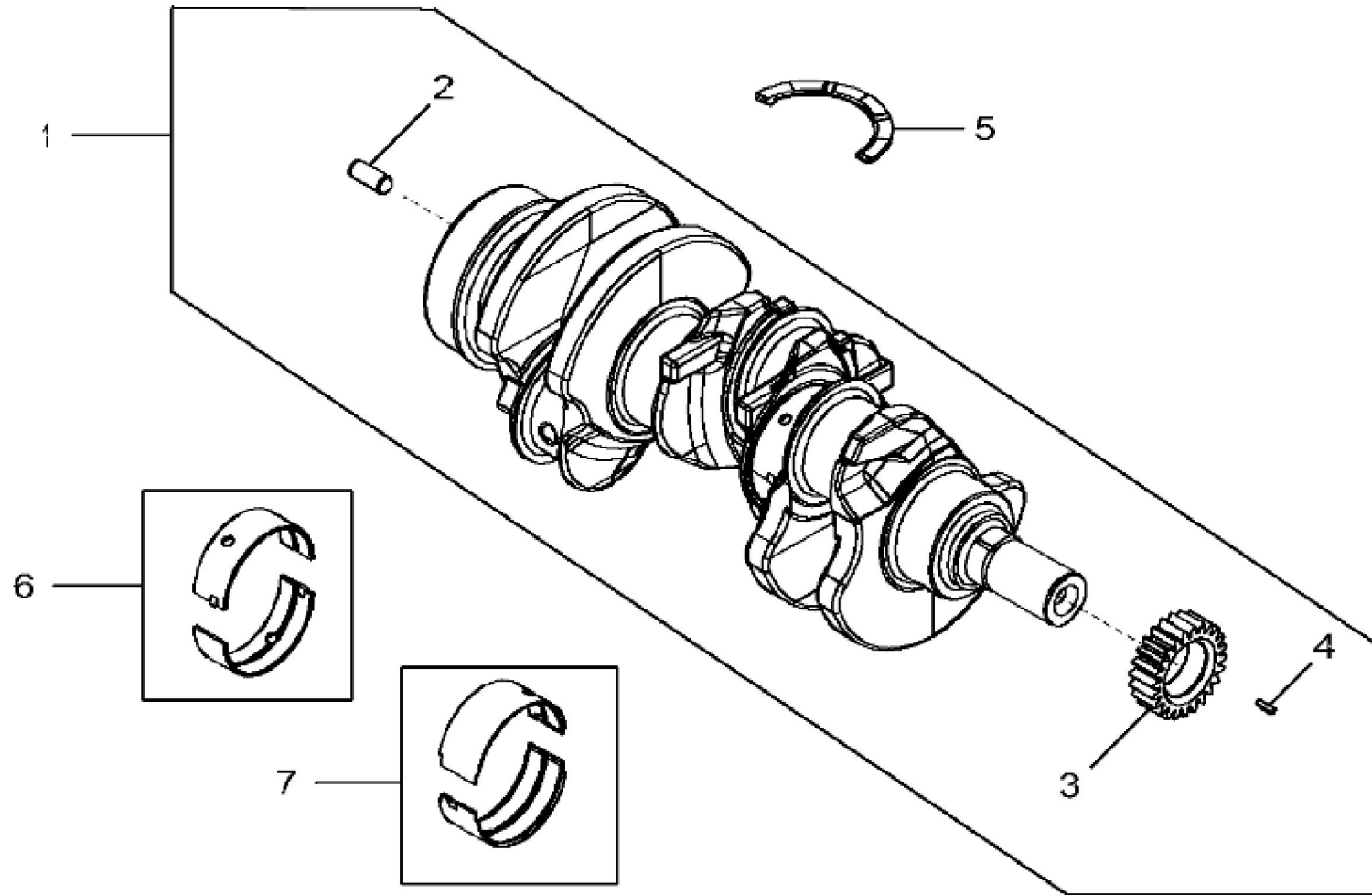
Hello dear friend!

Thank you very much for reading.

Enter the link into your browser.

The full manual is available for immediate download.

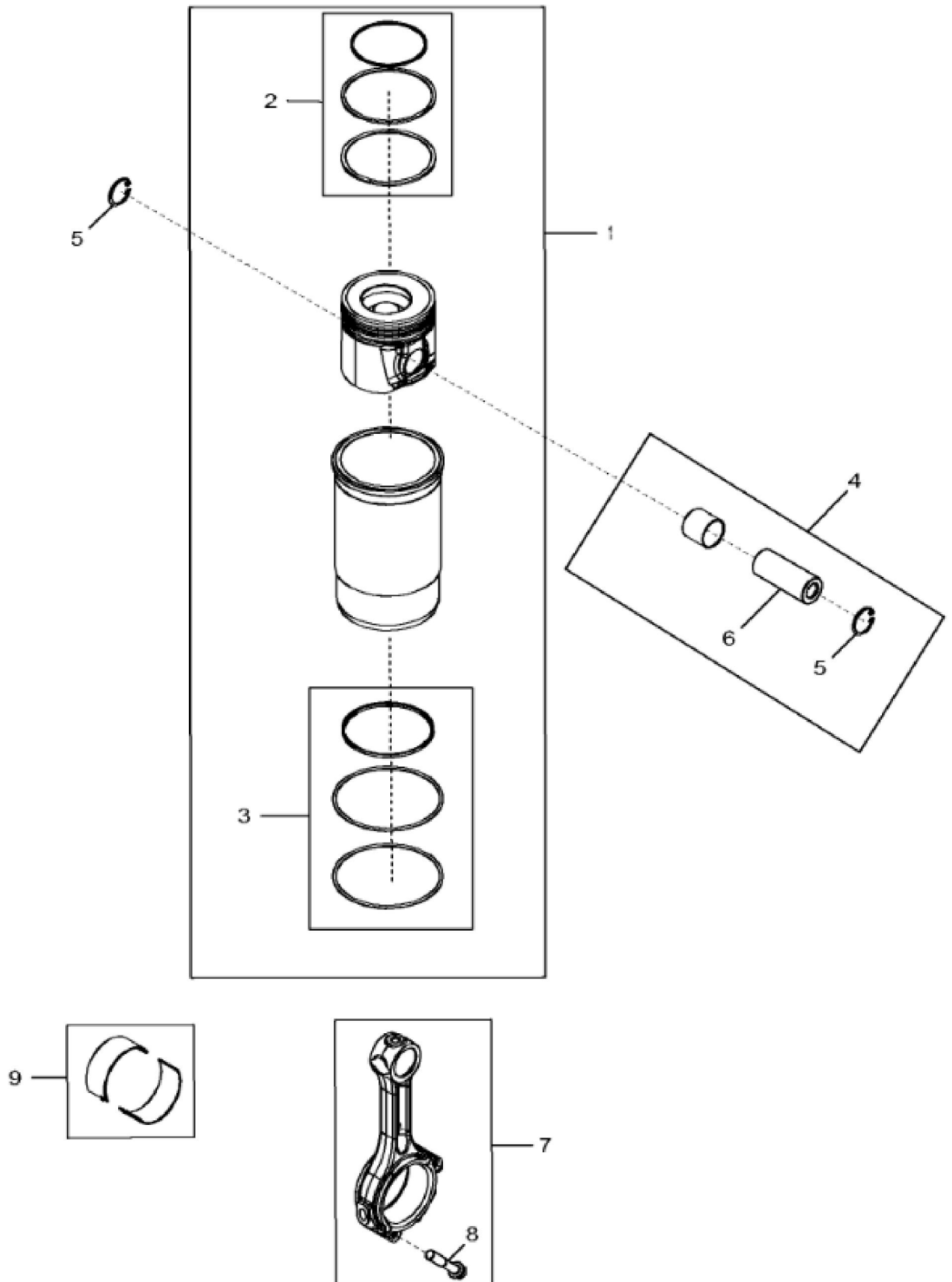
<https://www.ebooklibonline.com>



4713_RE507623_PCD

- 4713 CRANKSHAFT AND BEARINGS

| KEY | PART NO. | PART NAME | QTY | REMARKS |
|-----|----------|------------------|-----|--|
| 1 | RE521348 | CRANKSHAFT | 1 | (With Bearings) SUB FOR RE50979; KIT |
| 1 | SE501652 | CRANKSHAFT REMAN | 1 | (With Bearings) (With Spur Timing Gears) REMAN FOR RE521348 |
| 1 | SE501653 | CRANKSHAFT REMAN | 1 | (With Bearings) (With Helical Timing Gears) REMAN FOR RE521348 |
| 1 | RE502385 | CRANKSHAFT | 1 | (For India Market Only) MARKED R542963 |
| 2 | A120R | DOWEL PIN | 1 | |
| 3 | R538912 | GEAR | 1 | SUB FOR R100850 OR R504262 |
| 4 | 26H72 | SHAFT KEY | 1 | 1/8" X 5/8" |
| 5 | R516362 | THRUST WASHER | 3 | |
| 6 | AT21140 | BEARING | 3 | |
| 7 | RE57279 | BEARING KIT | 1 | |





Suggest:

For more complete manuals. Please go to the home page.

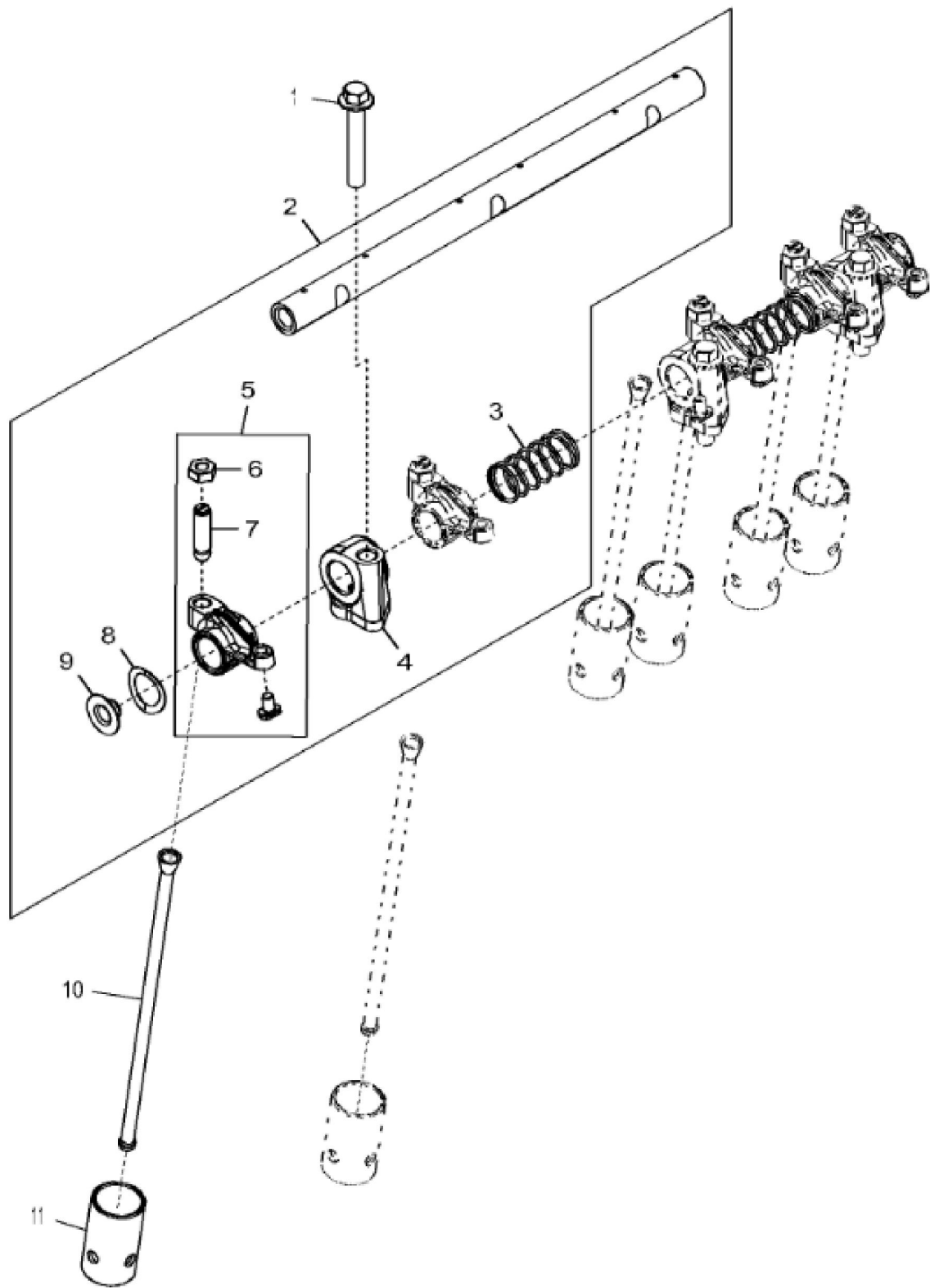
<https://www.ebooklibonline.com>

If the above button click is invalid. Please download this document first, and then click the above link to download the complete manual.

Thank you so much for reading

- 4845 CONNECTING RODS AND PISTONS

| KEY | PART NO. | PART NAME | QTY | REMARKS | |
|-----|----------|------------------|-----|-------------------------|--|
| 1 | RE544675 | PISTON-LINER KIT | 3 | | |
| 2 | RE521814 | PISTON RING KIT | 1 | | |
| 3 | RE525162 | O-RING KIT | 1 | | |
| 4 | RE562923 | PIN KIT | 3 | | |
| 5 | 40M1856 | SNAP RING | 6 | | |
| 6 | RE68540 | CONNECTING ROD | 3 | SUB FOR R130145 | |
| 7 | RE507799 | CONNECTING ROD | 3 | | |
| 8 | R516517 | SCREW | 2 | | |
| 8 | R80033 | CAP SCREW | 2 | (For India Market Only) | |
| 9 | RE27348 | BEARING KIT | 3 | | |



<https://www.ebooklibonline.com>

Hello dear friend!

Thank you very much for reading.

Enter the link into your browser.

The full manual is available for immediate download.

<https://www.ebooklibonline.com>