

KEY	PART NO.	PART NAME	QTY	REMARKS
1	RE520768	PISTON-LINER KIT	3	
2	RE525162	O-RING KIT	3	
3	R54802	ORIFICE	3	
4	RE504451	CAMSHAFT	1	
4	SE501623	CAMSHAFT REMAN	1	
5	26H72	SHAFT KEY	1	1/8" X 5/8"
6	15H695	PIPE PLUG	1	3/8"
7	R119874	BUSHING	1	
8	T20072	PLATE	1	
9	19H2676	CAP SCREW	2	3/8" X 1"
10	R111137	SPRING	1	
11	R121043	VALVE	1	
12	T18891	PLUG	2	
13	B153R	DOWEL PIN	2	
14	D2361R	BALL	1	
15	R97185	O-RING	1	
16	T20168	WASHER	8	
17	R528387	CAP SCREW	8	SUB FOR T23474
18	T23435	THREADED NIPPLE	1	
19	RE507807	PIPE PLUG	1	
20	15H275	PIPE PLUG	1	1/4"
21	R26493	BUSHING	1	
22	RE71255	PIPE PLUG	2	
23	A120R	DOWEL PIN	4	
24	15H653	PIPE PLUG	1	1"

<https://www.ebooklibonline.com>

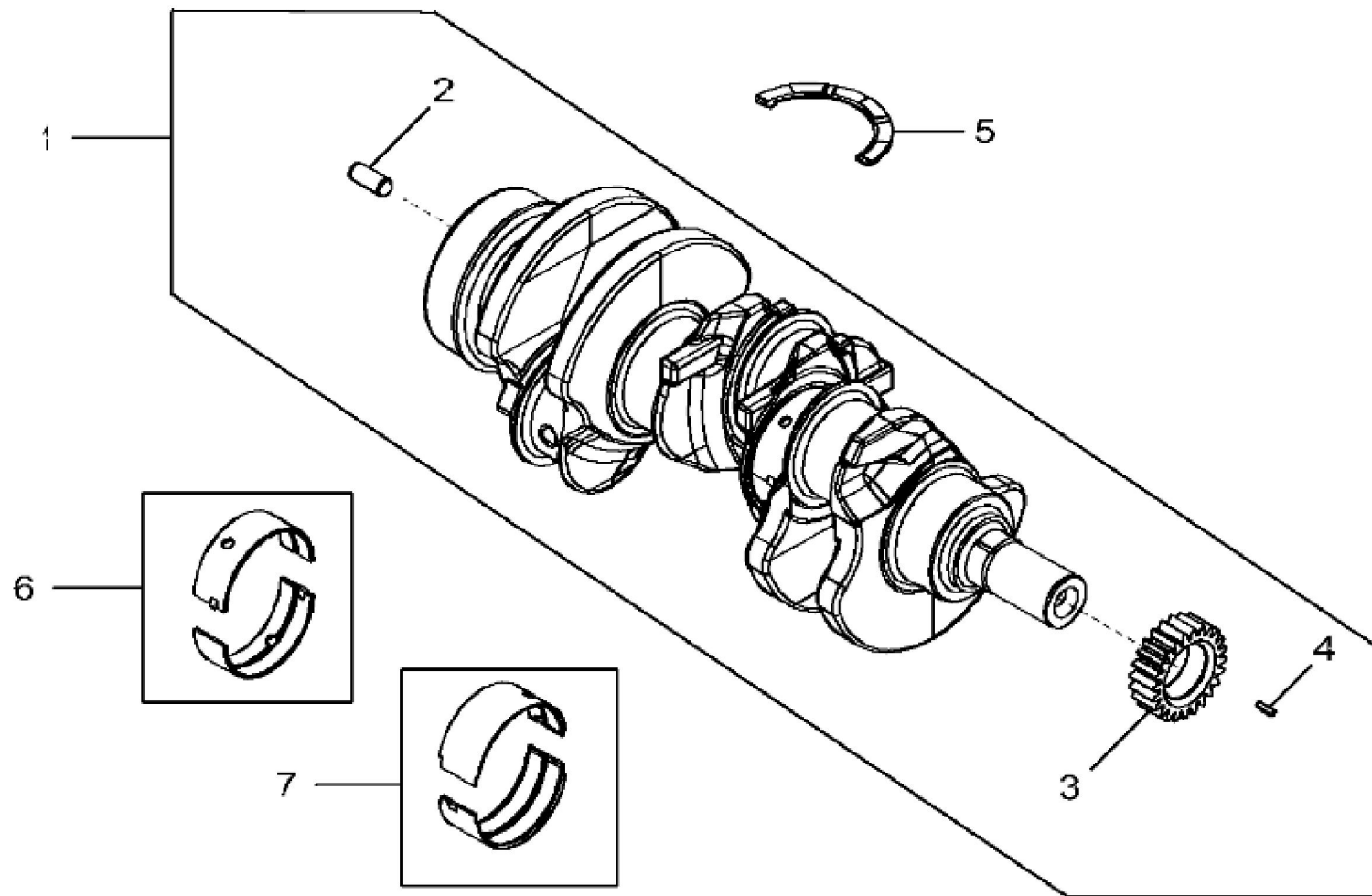
Hello dear friend!

Thank you very much for reading.

Enter the link into your browser.

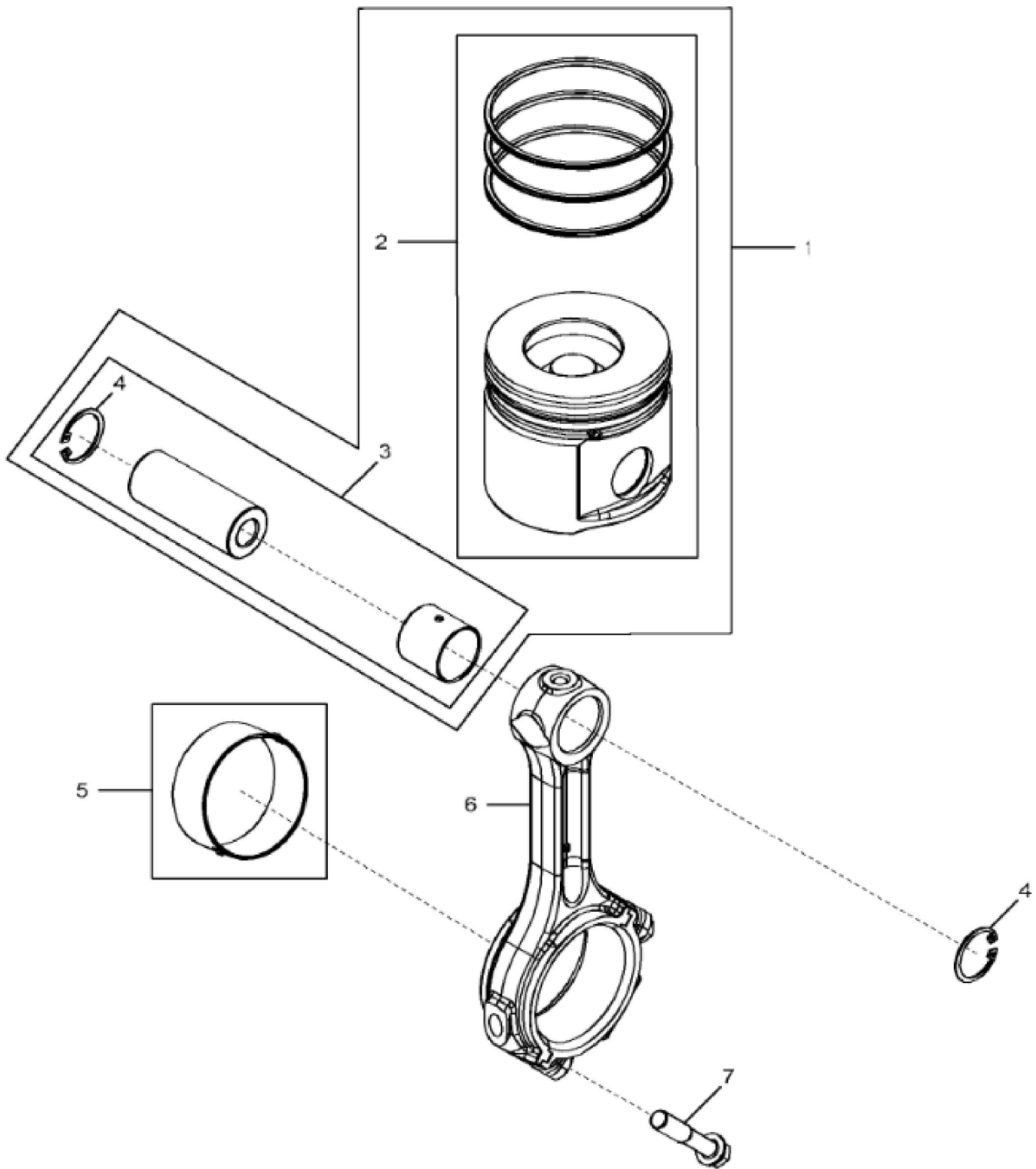
The full manual is available for immediate download.

<https://www.ebooklibonline.com>



4713_RE507623_PCD

KEY	PART NO.	PART NAME	QTY	REMARKS	
1	RE521348	CRANKSHAFT	1	(With Bearings) SUB FOR RE50979; KIT	
1	SE501652	CRANKSHAFT REMAN	1	(With Bearings) (With Spur Timing Gears) REMAN FOR RE521348	
1	SE501653	CRANKSHAFT REMAN	1	(With Bearings) (With Helical Timing Gears) REMAN FOR RE521348	
1	RE502385	CRANKSHAFT	1	(For India Market Only) MARKED R542963	
2	A120R	DOWEL PIN	1		
3	R538912	GEAR	1	SUB FOR R100850 OR R504262	
4	26H72	SHAFT KEY	1	1/8" X 5/8"	
5	R516362	THRUST WASHER	3		
6	AT21140	BEARING	3		
7	RE57279	BEARING KIT	1		





Suggest:

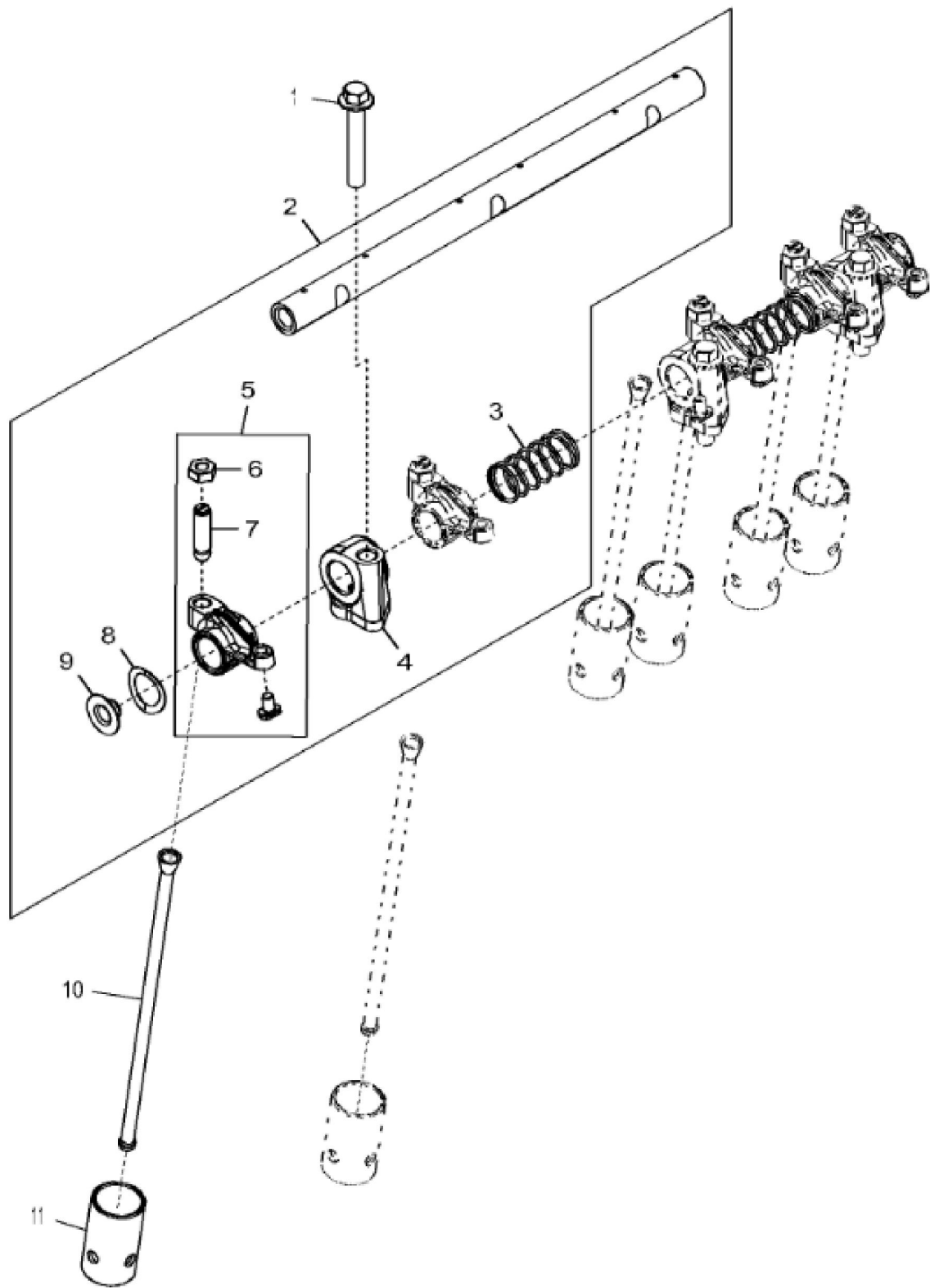
For more complete manuals. Please go to the home page.

<https://www.ebooklibonline.com>

If the above button click is invalid. Please download this document first, and then click the above link to download the complete manual.

Thank you so much for reading

KEY	PART NO.	PART NAME	QTY	REMARKS	
1	RE565370	PISTON-LINER KIT	3	INCLUDES RE525162	
2	RE565367	PISTON RING KIT	3		
3	RE562923	PIN KIT	1		
4	40M1856	SNAP RING	6		
5	RE27348	BEARING KIT	6	INCLUDES (2) R516361	
6	RE507799	CONNECTING ROD	3		
7	R80033	CAP SCREW	2		



<https://www.ebooklibonline.com>

Hello dear friend!

Thank you very much for reading.

Enter the link into your browser.

The full manual is available for immediate download.

<https://www.ebooklibonline.com>