

KEY	PART NO.	PART NAME	QTY	REMARKS
1	RE535328	CAMSHAFT	1	MARKED R502183
2	26H72	SHAFT KEY	1	1/8" X 5/8"
3	15H695	PIPE PLUG	1	3/8"
4	R54802	ORIFICE	3	
5	RE545964	PISTON-LINER KIT	3	
6	RE525162	O-RING KIT	3	
7	15H584	PIPE PLUG	1	1/2"
8	15H653	PIPE PLUG	1	1"
9	A120R	DOWEL PIN	4	
10	CYLINDER BLOCK	1	MARKED DZ103053; ORDER DZ105995
10	DZ105995	SHORT BLOCK ASSEMBLY	1	
11	R65215	BEARING CAP	3	
12	R79089	CAP	1	
13	T20168	WASHER	8	
14	R528387	CAP SCREW	8	
15	T23435	THREADED NIPPLE	1	
16	R119874	BUSHING	1	
17	19M8999	SCREW	2	M8 X 25
18	15H275	PIPE PLUG	1	1/4"
19	R26493	BUSHING	1	
20	R121043	VALVE	1	
21	R534150	PLATE	1	
22	R97185	O-RING	1	
23	T18891	PLUG	2	
24	RE507807	PIPE PLUG	1	
25	RE71255	PIPE PLUG	2	
26	B153R	DOWEL PIN	2	
27	R111137	SPRING	1	
28	D2361R	BALL	1	

<https://www.ebooklibonline.com>

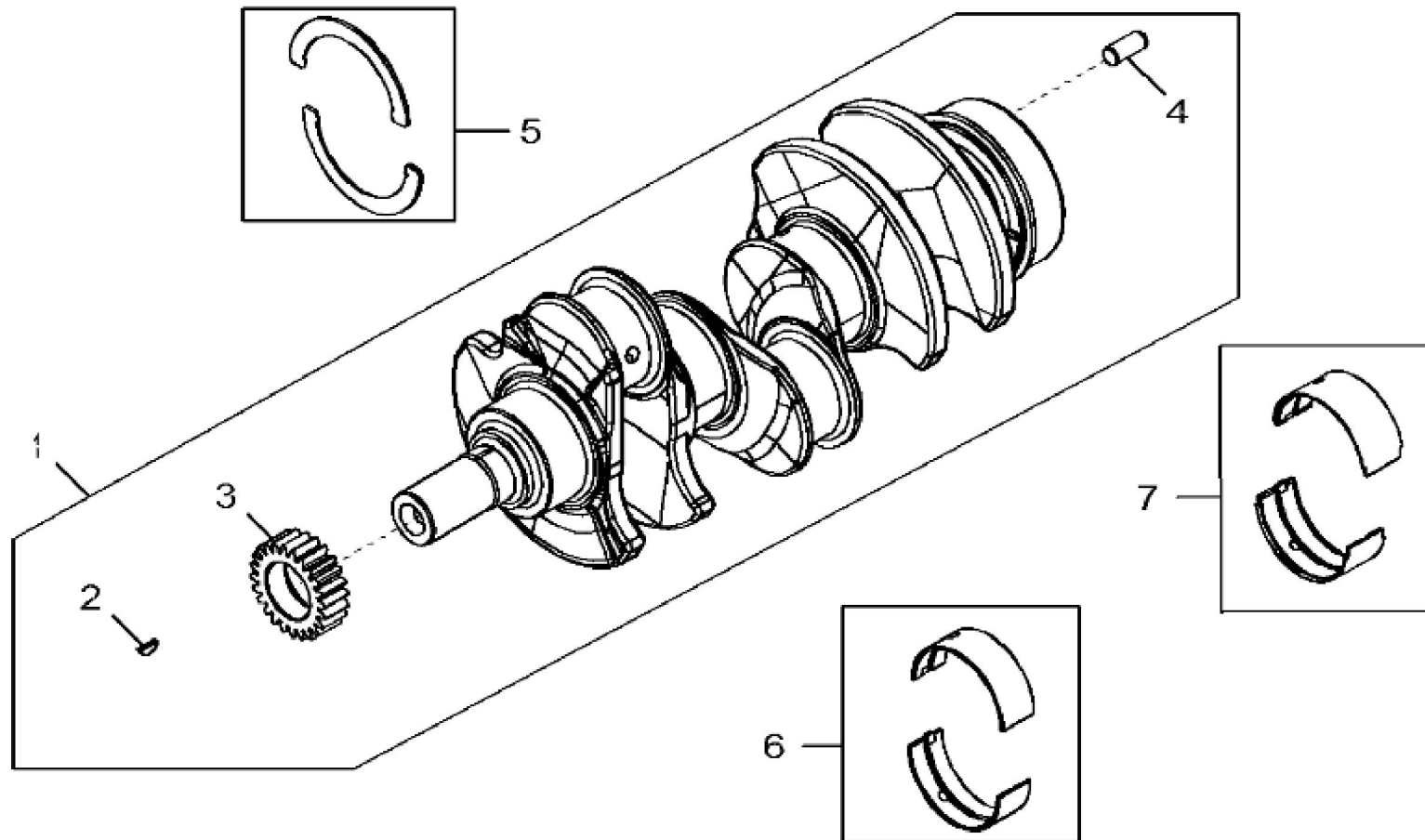
Hello dear friend!

Thank you very much for reading.

Enter the link into your browser.

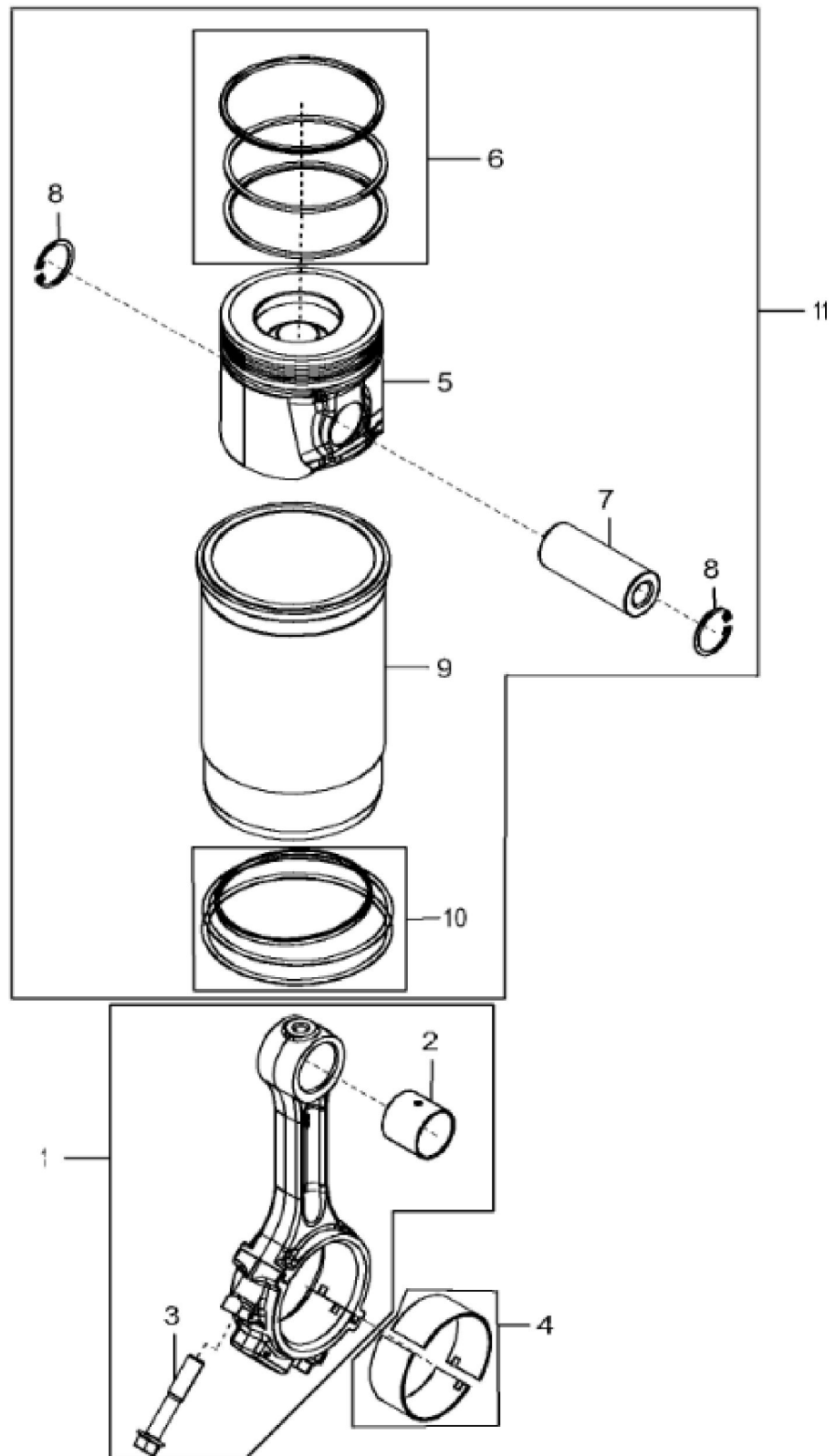
The full manual is available for immediate download.

<https://www.ebooklibonline.com>



4725_RE551570_PCD

KEY	PART NO.	PART NAME	QTY	REMARKS	
1	DZ10463	CRANKSHAFT	1		
2	26H72	SHAFT KEY	1	1/8" X 5/8"	
3	R538912	GEAR	1	MARKED R542963	
4	A120R	DOWEL PIN	1		
5	R516362	THRUST WASHER	3		
6	AT21140	BEARING	3		
7	RE57279	BEARING KIT	1		





Suggest:

For more complete manuals. Please go to the home page.

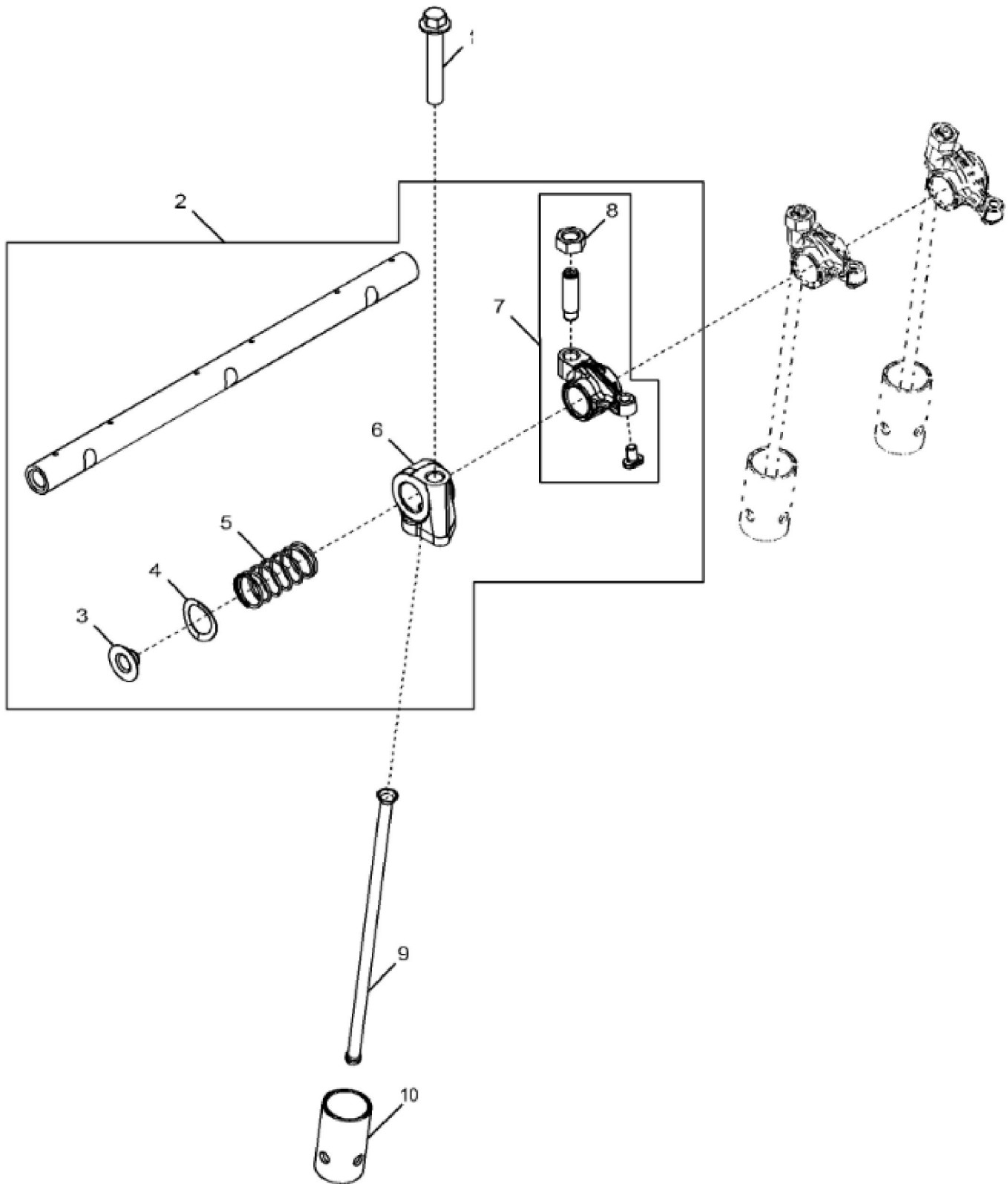
<https://www.ebooklibonline.com>

If the above button click is invalid. Please download this document first, and then click the above link to download the complete manual.

Thank you so much for reading

John Deere > Turf And Utility >TRACTOR >5045D - TRACTOR >5045D Tractor (Mexico and Latin America Edition) >20 ENGINE 3029DPY74-DZ102716 >ST465220 - 4854 CONNECTING RODS AND PISTONS

KEY	PART NO.	PART NAME	QTY	REMARKS
1	RE507799	CONNECTING ROD	3	
2	R504300	BUSHING	1	
3	R516517	SCREW	2	
4	RE27348	BEARING KIT	3	INCLUDES (2) R516361
5	RE543121	PISTON	3	
6	RE521814	PISTON RING KIT	3	
7	R130145	PISTON PIN	3	
8	40M1856	SNAP RING	6	
9	R502260	CYLINDER LINER	1	
10	RE525162	O-RING KIT	3	
11	RE545964	PISTON-LINER KIT	3	



<https://www.ebooklibonline.com>

Hello dear friend!

Thank you very much for reading.

Enter the link into your browser.

The full manual is available for immediate download.

<https://www.ebooklibonline.com>