

KEY	PART NO.	PART NAME	QTY	REMARKS
1	RE535328	CAMSHAFT	1	MARKED R502183
2	26H72	SHAFT KEY	1	1/8" X 5/8"
3	15H695	PIPE PLUG	1	3/8"
4	R54802	ORIFICE	3	
5	RE545964	PISTON-LINER KIT	3	
6	RE525162	O-RING KIT	3	
7	15H584	PIPE PLUG	1	1/2"
8	15H653	PIPE PLUG	1	1"
9	A120R	DOWEL PIN	4	
10	CYLINDER BLOCK	1	MARKED DZ103053; ORDER DZ105995
10	DZ105995	SHORT BLOCK ASSEMBLY	1	
11	R65215	BEARING CAP	3	
12	R79089	CAP	1	
13	T20168	WASHER	8	
14	R528387	CAP SCREW	8	
15	T23435	THREADED NIPPLE	1	
16	R119874	BUSHING	1	
17	19M8999	SCREW	2	M8 X 25
18	15H275	PIPE PLUG	1	1/4"
19	R26493	BUSHING	1	
20	R121043	VALVE	1	
21	R534150	PLATE	1	
22	R97185	O-RING	1	
23	T18891	PLUG	2	
24	RE507807	PIPE PLUG	1	
25	RE71255	PIPE PLUG	2	
26	B153R	DOWEL PIN	2	
27	R111137	SPRING	1	
28	D2361R	BALL	1	

<https://www.ebooklibonline.com>

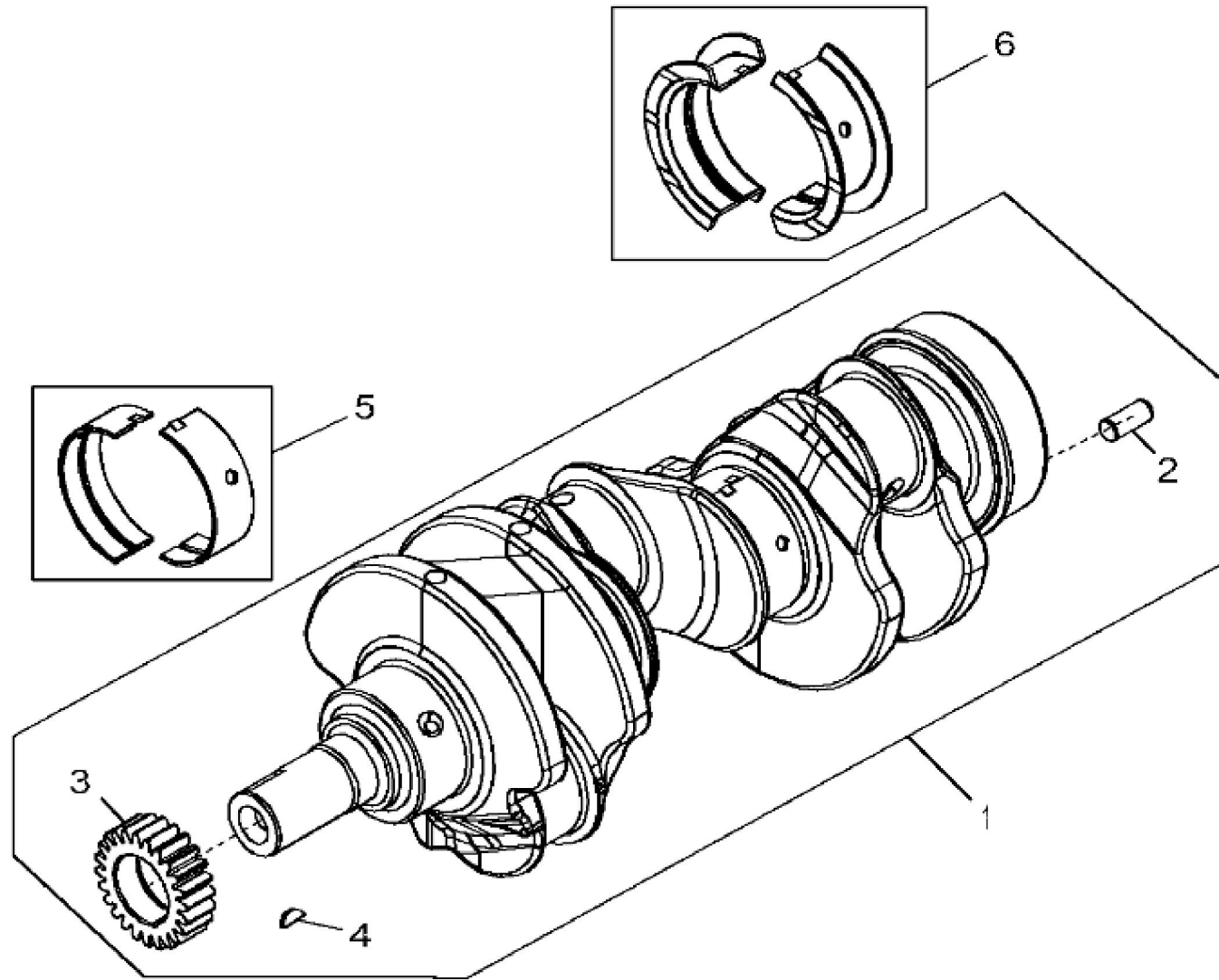
Hello dear friend!

Thank you very much for reading.

Enter the link into your browser.

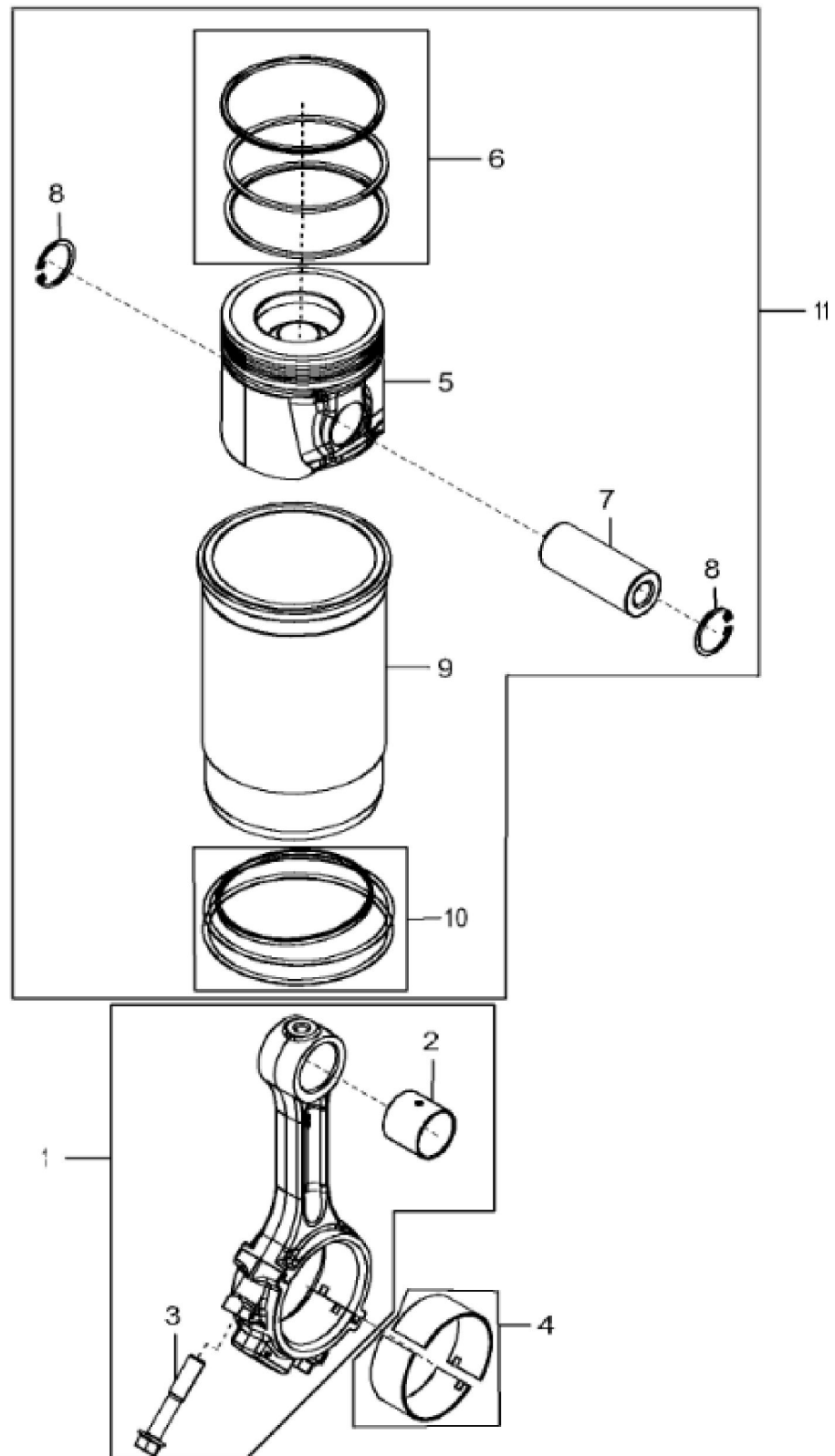
The full manual is available for immediate download.

<https://www.ebooklibonline.com>



4729_RE565465_PCD

KEY	PART NO.	PART NAME	QTY	REMARKS	
1	RE549500	CRANKSHAFT	1		
2	R48685	DOWEL PIN	1		
3	R100850	GEAR	1		
4	26H72	SHAFT KEY	1	1/8" X 5/8"	
5	RE27352	BEARING KIT	3		
6	RE521350	BEARING KIT	1		





Suggest:

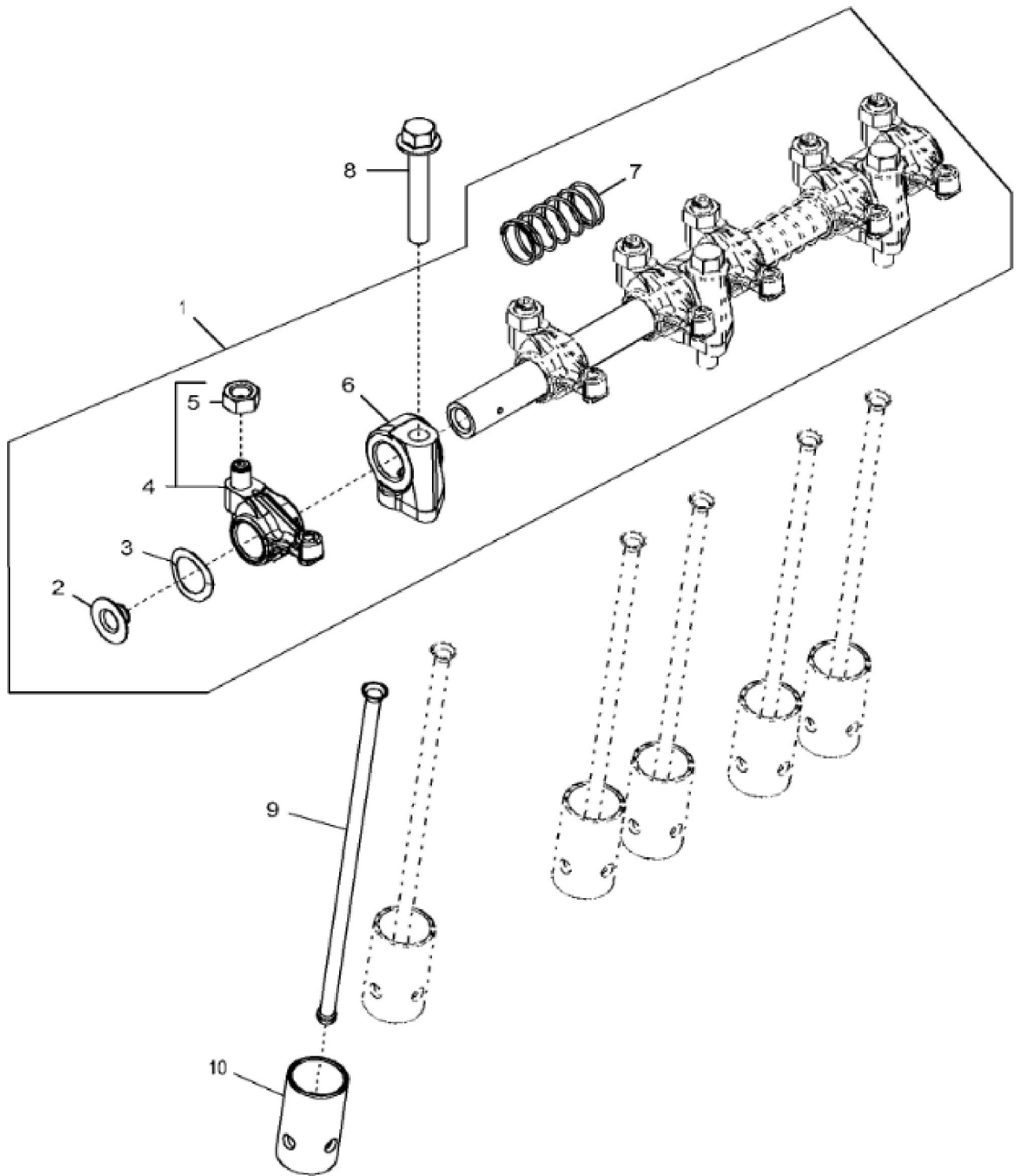
For more complete manuals. Please go to the home page.

<https://www.ebooklibonline.com>

If the above button click is invalid. Please download this document first, and then click the above link to download the complete manual.

Thank you so much for reading

KEY	PART NO.	PART NAME	QTY	REMARKS	
1	RE507799	CONNECTING ROD	3		
2	R504300	BUSHING	1		
3	R516517	SCREW	2		
4	RE27348	BEARING KIT	3	INCLUDES (2) R516361	
5	RE543121	PISTON	3		
6	RE521814	PISTON RING KIT	3		
7	R130145	PISTON PIN	3		
8	40M1856	SNAP RING	6		
9	R502260	CYLINDER LINER	1		
10	RE525162	O-RING KIT	3		
11	RE545964	PISTON-LINER KIT	3		



<https://www.ebooklibonline.com>

Hello dear friend!

Thank you very much for reading.

Enter the link into your browser.

The full manual is available for immediate download.

<https://www.ebooklibonline.com>