

KEY	PART NO.	PART NAME	QTY	REMARKS
1	R515466	O-RING	3	
2	R48767	PACKING	3	
3	R502260	CYLINDER LINER	3	
4	R515306	O-RING	3	
5	R54802	ORIFICE	3	
6	T18891	PLUG	2	
7	R121043	VALVE	1	
8	R111137	SPRING	1	
9	R97185	O-RING	1	
10	D2361R	BALL	1	
11	R26650	DOWEL PIN	2	
12	R26493	BUSHING	1	
13	15H275	PIPE PLUG	1	1/4"
14	15H237	PIPE PLUG	1	1/2"
15	RE71255	PIPE PLUG	2	
16	RE535328	CAMSHAFT	1	
17	26H72	SHAFT KEY	1	1/8" X 5/8"
18	19H2676	CAP SCREW	2	3/8" X 1"
19	T20072	PLATE	1	
20	T23435	THREADED NIPPLE	1	
21	RE507807	PIPE PLUG	1	
22	15H695	PIPE PLUG	1	3/8"
23	CAP	3	ORDER PY0591
24	CAP	1	ORDER PY0591
25	T20168	WASHER	8	
26	T23474	CAP SCREW	8	
27	R48685	DOWEL PIN	4	
28	15H562	PIPE PLUG	1	1"
29	PY0591	CYLINDER BLOCK	1	MARKED R502385; INCLUDES R48685, RE507807, 15H653 AND 15H695

<https://www.ebooklibonline.com>

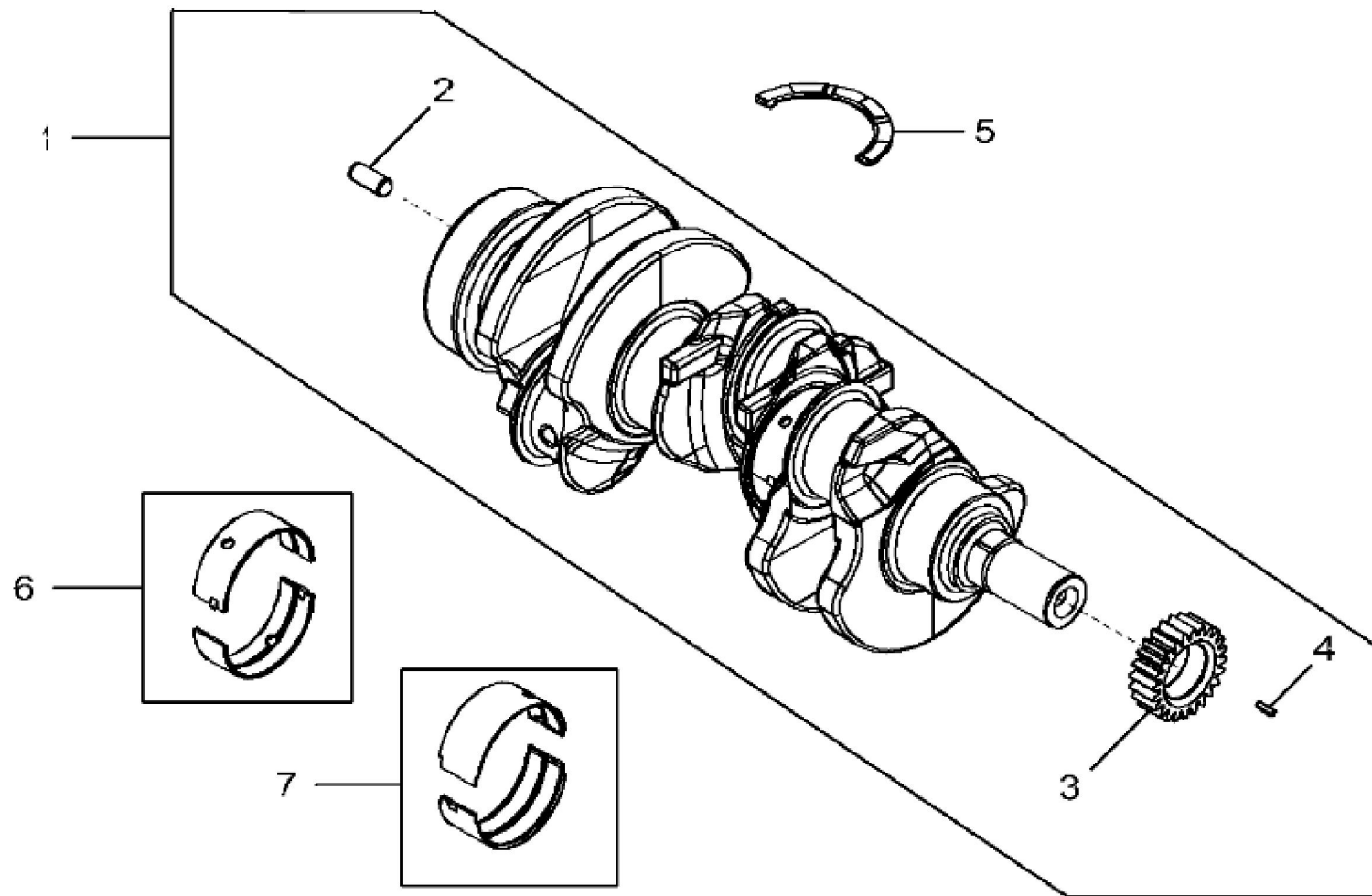
Hello dear friend!

Thank you very much for reading.

Enter the link into your browser.

The full manual is available for immediate download.

<https://www.ebooklibonline.com>



4713_RE507623_PCD

KEY	PART NO.	PART NAME	QTY	REMARKS	
1	RE521348	CRANKSHAFT	1	(With Bearings) SUB FOR RE50979; KIT	
1	SE501652	CRANKSHAFT REMAN	1	(With Bearings) (With Spur Timing Gears) REMAN FOR RE521348	
1	SE501653	CRANKSHAFT REMAN	1	(With Bearings) (With Helical Timing Gears) REMAN FOR RE521348	
1	RE502385	CRANKSHAFT	1	(For India Market Only) MARKED R542963	
2	A120R	DOWEL PIN	1		
3	R538912	GEAR	1	SUB FOR R100850 OR R504262	
4	26H72	SHAFT KEY	1	1/8" X 5/8"	
5	R516362	THRUST WASHER	3		
6	AT21140	BEARING	3		
7	RE57279	BEARING KIT	1		



Suggest:

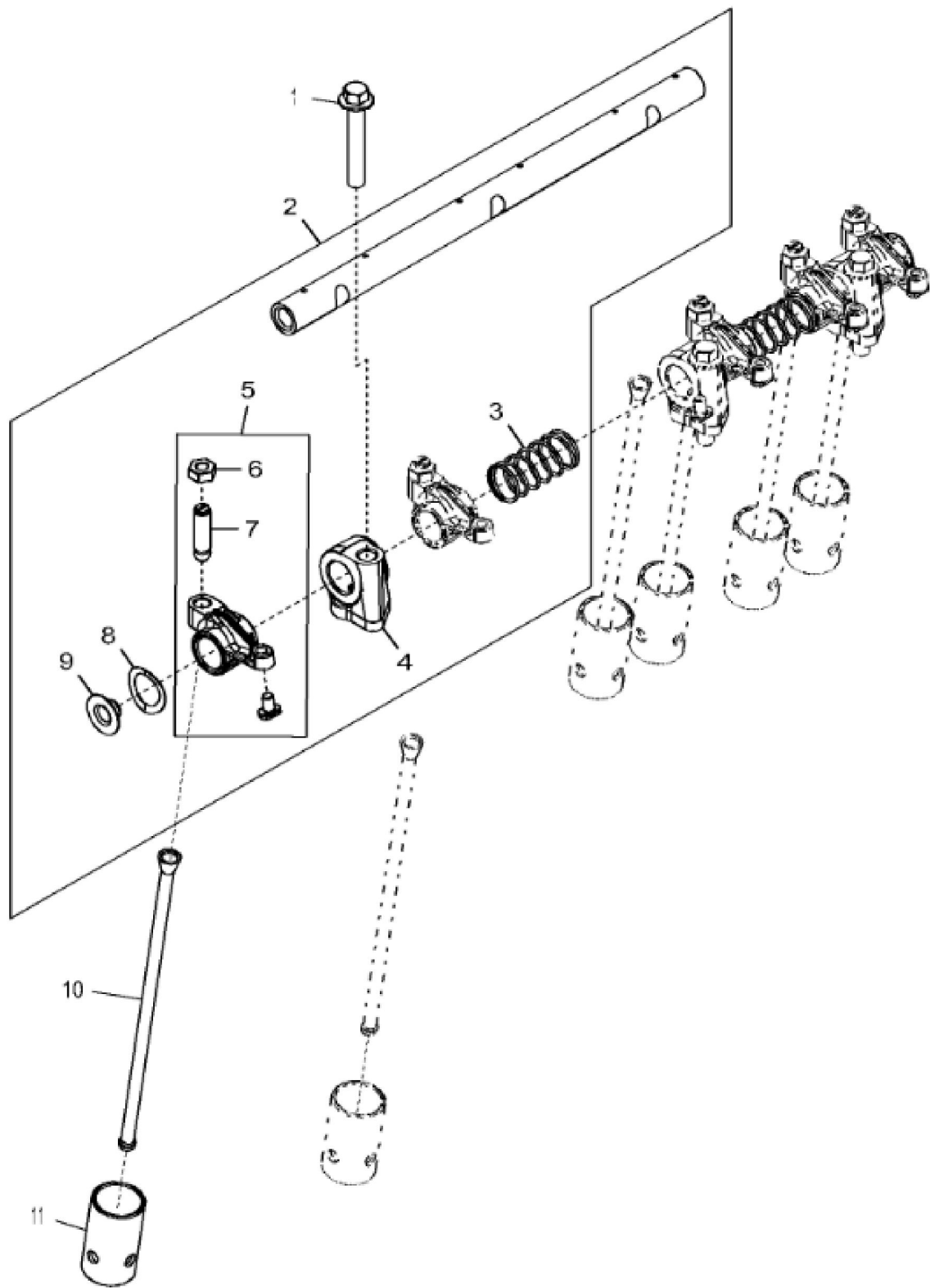
For more complete manuals. Please go to the home page.

<https://www.ebooklibonline.com>

If the above button click is invalid. Please download this document first, and then click the above link to download the complete manual.

Thank you so much for reading

KEY	PART NO.	PART NAME	QTY	REMARKS	
1	RE507799	CONNECTING ROD	3		
2	R504300	BUSHING	1		
3	R516517	SCREW	2		
4	RE27348	BEARING KIT	3	INCLUDES (2) R516361	
5	RE543121	PISTON	3		
6	RE521814	PISTON RING KIT	3		
7	R130145	PISTON PIN	3		
8	40M1856	SNAP RING	6		
9	R502260	CYLINDER LINER	1		
10	RE525162	O-RING KIT	3		
11	RE545964	PISTON-LINER KIT	3		



<https://www.ebooklibonline.com>

Hello dear friend!

Thank you very much for reading.

Enter the link into your browser.

The full manual is available for immediate download.

<https://www.ebooklibonline.com>