

| KEY | PART NO. | PART NAME | QTY | REMARKS |
|-----|----------|----------------------|-----|---------------------------------|
| 1 | RE535328 | CAMSHAFT | 1 | MARKED R502183 |
| 2 | 26H72 | SHAFT KEY | 1 | 1/8" X 5/8" |
| 3 | 15H695 | PIPE PLUG | 1 | 3/8" |
| 4 | R54802 | ORIFICE | 3 | |
| 5 | RE545964 | PISTON-LINER KIT | 3 | |
| 6 | RE525162 | O-RING KIT | 3 | |
| 7 | 15H584 | PIPE PLUG | 1 | 1/2" |
| 8 | 15H653 | PIPE PLUG | 1 | 1" |
| 9 | A120R | DOWEL PIN | 4 | |
| 10 | | CYLINDER BLOCK | 1 | MARKED DZ103053; ORDER DZ105995 |
| 10 | DZ105995 | SHORT BLOCK ASSEMBLY | 1 | |
| 11 | R65215 | BEARING CAP | 3 | |
| 12 | R79089 | CAP | 1 | |
| 13 | T20168 | WASHER | 8 | |
| 14 | R528387 | CAP SCREW | 8 | |
| 15 | T23435 | THREADED NIPPLE | 1 | |
| 16 | R119874 | BUSHING | 1 | |
| 17 | 19M8999 | SCREW | 2 | M8 X 25 |
| 18 | 15H275 | PIPE PLUG | 1 | 1/4" |
| 19 | R26493 | BUSHING | 1 | |
| 20 | R121043 | VALVE | 1 | |
| 21 | R534150 | PLATE | 1 | |
| 22 | R97185 | O-RING | 1 | |
| 23 | T18891 | PLUG | 2 | |
| 24 | RE507807 | PIPE PLUG | 1 | |
| 25 | RE71255 | PIPE PLUG | 2 | |
| 26 | B153R | DOWEL PIN | 2 | |
| 27 | R111137 | SPRING | 1 | |
| 28 | D2361R | BALL | 1 | |

<https://www.ebooklibonline.com>

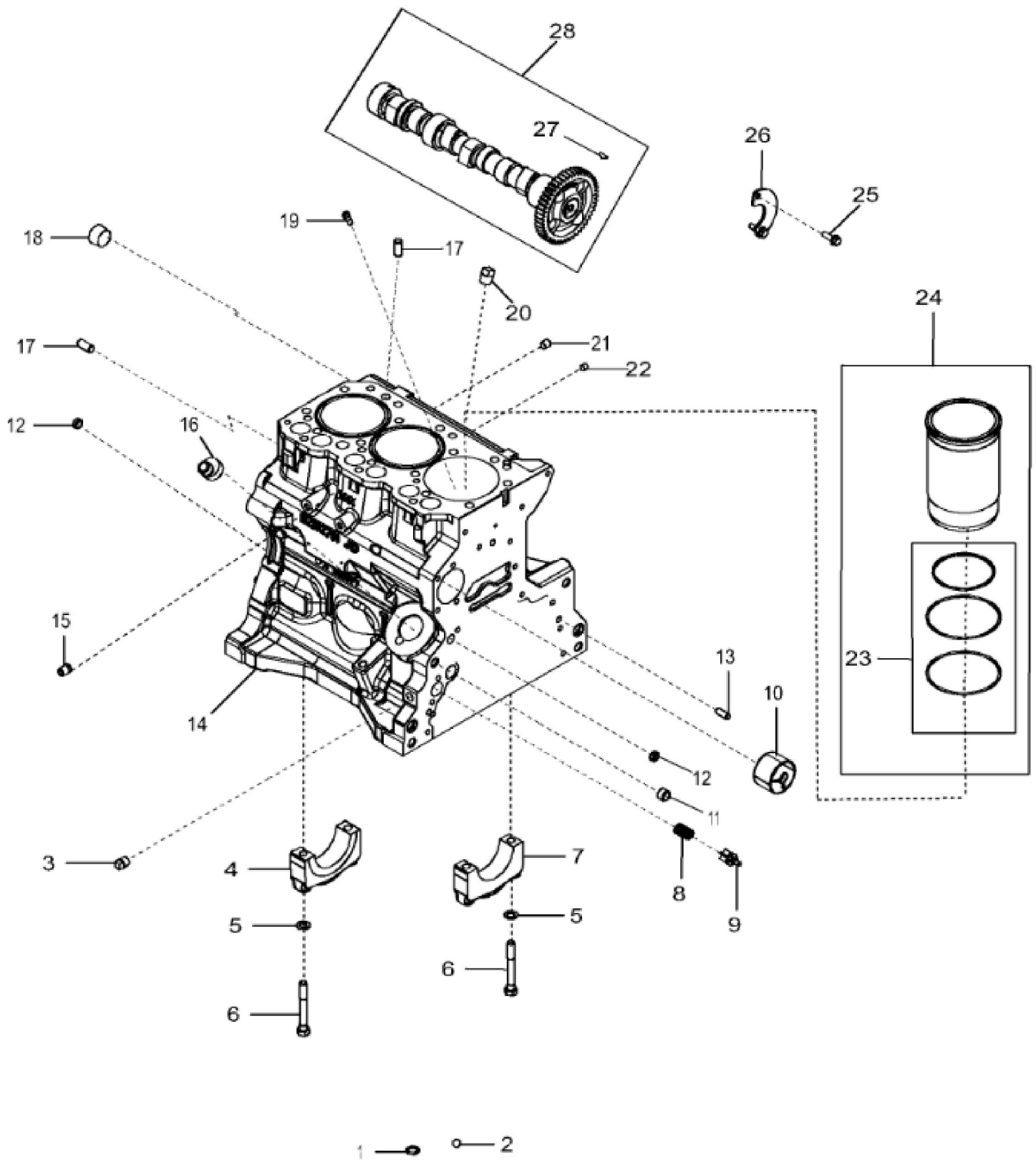
Hello dear friend!

Thank you very much for reading.

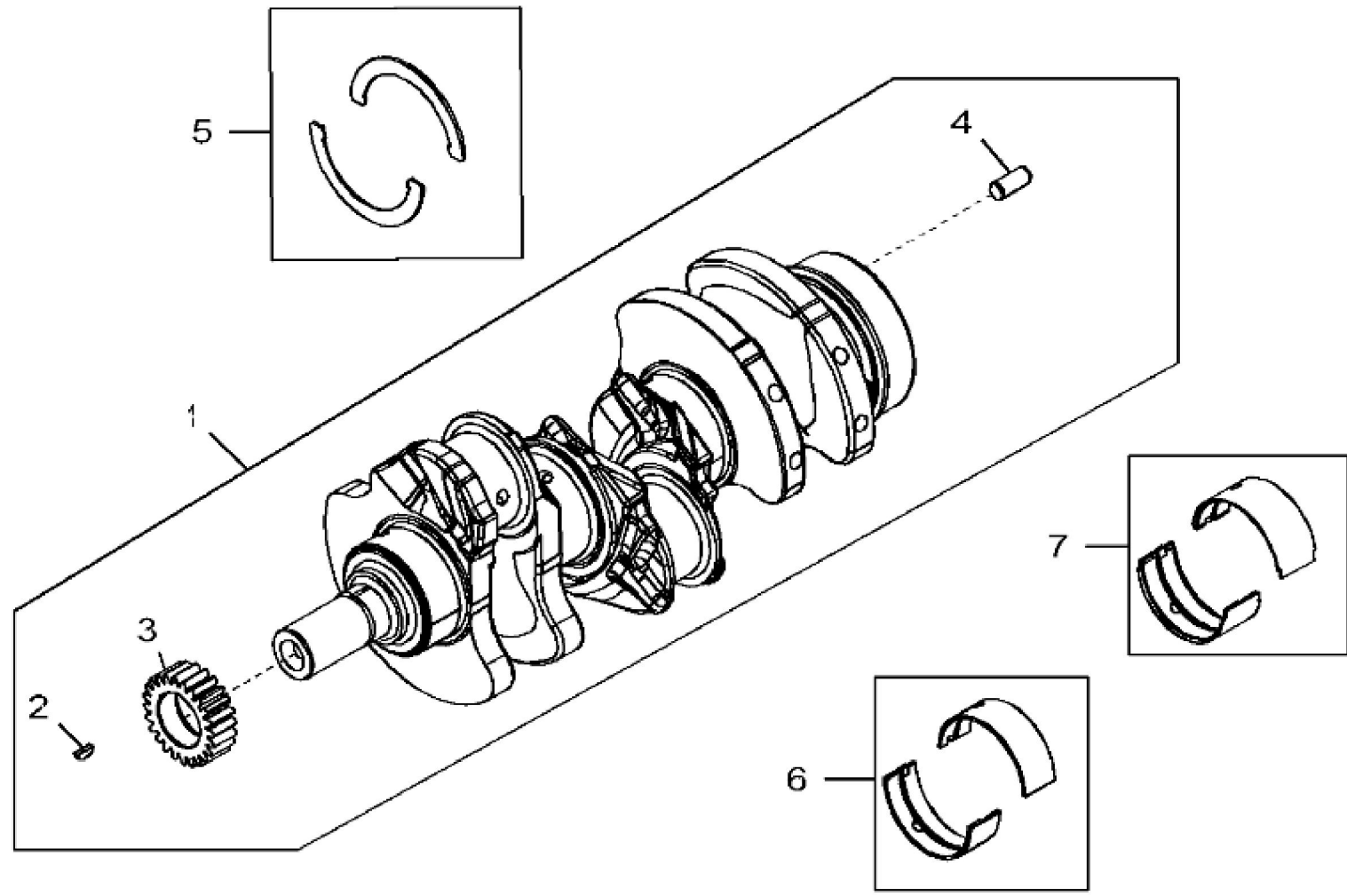
Enter the link into your browser.

The full manual is available for immediate download.

<https://www.ebooklibonline.com>



| KEY | PART NO. | PART NAME | QTY | REMARKS |
|-----|----------|------------------|-----|----------------------|
| 1 | R97185 | O-RING | 1 | |
| 2 | D2361R | BALL | 1 | |
| 3 | 15H695 | PIPE PLUG | 1 | 3/8" |
| 4 | R65214 | BEARING CAP | 1 | |
| 5 | T20168 | WASHER | 8 | |
| 6 | T23474 | CAP SCREW | 8 | |
| 7 | R65215 | BEARING CAP | 3 | |
| 8 | R111137 | SPRING | 1 | |
| 9 | R121043 | VALVE | 1 | |
| 10 | R119874 | BUSHING | 1 | |
| 11 | R26493 | BUSHING | 1 | |
| 12 | T18891 | PLUG | 2 | |
| 13 | B153R | DOWEL PIN | 2 | |
| 14 | | CYLINDER BLOCK | 1 | MARKED DZ102791 |
| 15 | R55233 | PIPE PLUG | 1 | |
| 16 | T23435 | THREADED NIPPLE | 1 | |
| 17 | A120R | DOWEL PIN | 4 | |
| 18 | 15H653 | PIPE PLUG | 1 | 1" |
| 19 | R54802 | ORIFICE | 3 | |
| 20 | 15H237 | PIPE PLUG | 1 | 1/2" |
| 21 | 15H275 | PIPE PLUG | 1 | 1/4" |
| 22 | RE42713 | PIPE PLUG | 2 | |
| 23 | RE525162 | O-RING KIT | 3 | |
| 24 | RE545964 | PISTON-LINER KIT | 3 | (Not as Illustrated) |
| 25 | 19M8999 | SCREW | 2 | M8 X 25 |
| 26 | R534150 | PLATE | 1 | |
| 27 | 26H72 | SHAFT KEY | 1 | 1/8" X 5/8" |
| 28 | RE535328 | CAMSHAFT | 1 | |



4728_RE552305_PCD



Suggest:

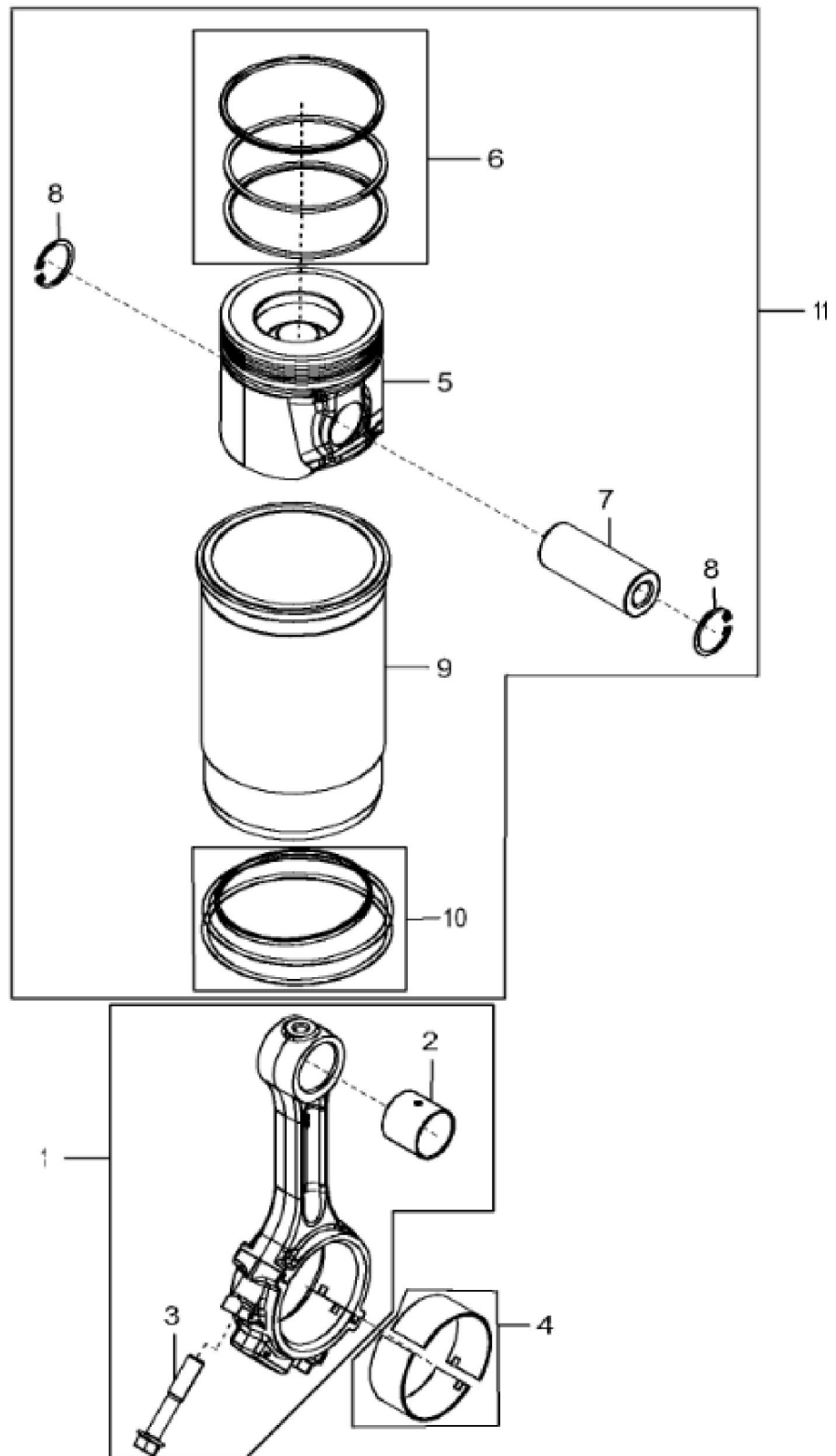
For more complete manuals. Please go to the home page.

<https://www.ebooklibonline.com>

If the above button click is invalid. Please download this document first, and then click the above link to download the complete manual.

Thank you so much for reading

| KEY | PART NO. | PART NAME | QTY | REMARKS | |
|-----|----------|---------------|-----|---------------------------------------------------------|--|
| 1 | | CRANKSHAFT | 1 | ORDER RE565459 OR DZ101387 OR DZ10463 | |
| 1 | RE565459 | CRANKSHAFT | 1 | (Only For 5M FT4 Engines) (Not Illustrated) KIT | |
| 1 | DZ101387 | CRANKSHAFT | 1 | (Only For 5E and OEM FT4 Engines) (Not Illustrated) KIT | |
| 1 | DZ10463 | CRANKSHAFT | 1 | (Only For Non FT4 3029 Engines) (Not Illustrated) KIT | |
| 2 | 26H72 | SHAFT KEY | 1 | 1/8" X 5/8" | |
| 3 | R538912 | GEAR | 1 | Z = 24; MARKED R542963; SUB FOR APPL R504262 OR R100850 | |
| 4 | A120R | DOWEL PIN | 1 | | |
| 5 | R516362 | THRUST WASHER | 3 | | |
| 6 | AT21140 | BEARING | 3 | KIT; (2) R515304 | |
| 7 | RE57279 | BEARING KIT | 1 | KIT; (2) R515305 | |



<https://www.ebooklibonline.com>

Hello dear friend!

Thank you very much for reading.

Enter the link into your browser.

The full manual is available for immediate download.

<https://www.ebooklibonline.com>