

PY55181

KEY	PART NO.	PART NAME	QTY	REMARKS	
1	R54802	ORIFICE	3		
2	A120R	DOWEL PIN	4		
3	B153R	DOWEL PIN	2		
4	19H1912	CAP SCREW	2	3/8" X 3-1/2"	
5	T25701	STUD	1		
6	T18891	PLUG	2		
7	R26493	BUSHING	1		
8	R111137	SPRING	1		
9	R121043	VALVE	1		
10	T23474	CAP SCREW	8		
11	R32214	WASHER	8		
12	R65215	BEARING CAP	3		
13	R65214	BEARING CAP	1		
14	R97185	O-RING	1		
15	RE521045	CYLINDER BLOCK	1	(ORD PY10591)	
16	T23435	THREADED NIPPLE	1		
17	RE507807	PIPE PLUG	1		
18	RE42713	PIPE PLUG	2		
19	15H653	PIPE PLUG	1	1"	
20	15H695	PIPE PLUG	1	3/8"	
21	14H255	NUT	1	3/8"	
22	D2361R	BALL	1		
23	99M7073	PLUG	2		

**<https://www.ebooklibonline.com>**

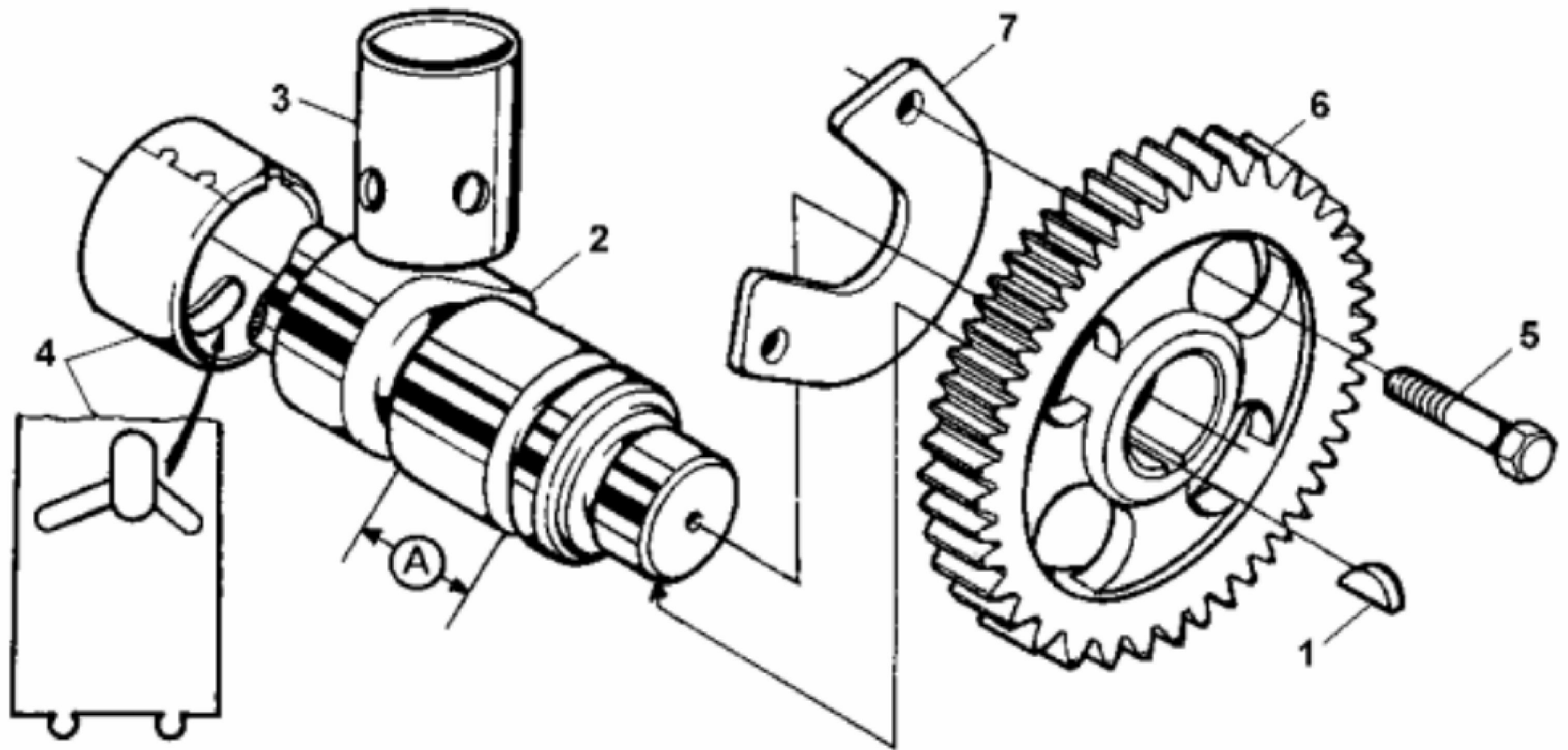
Hello dear friend!

Thank you very much for reading.

Enter the link into your browser.

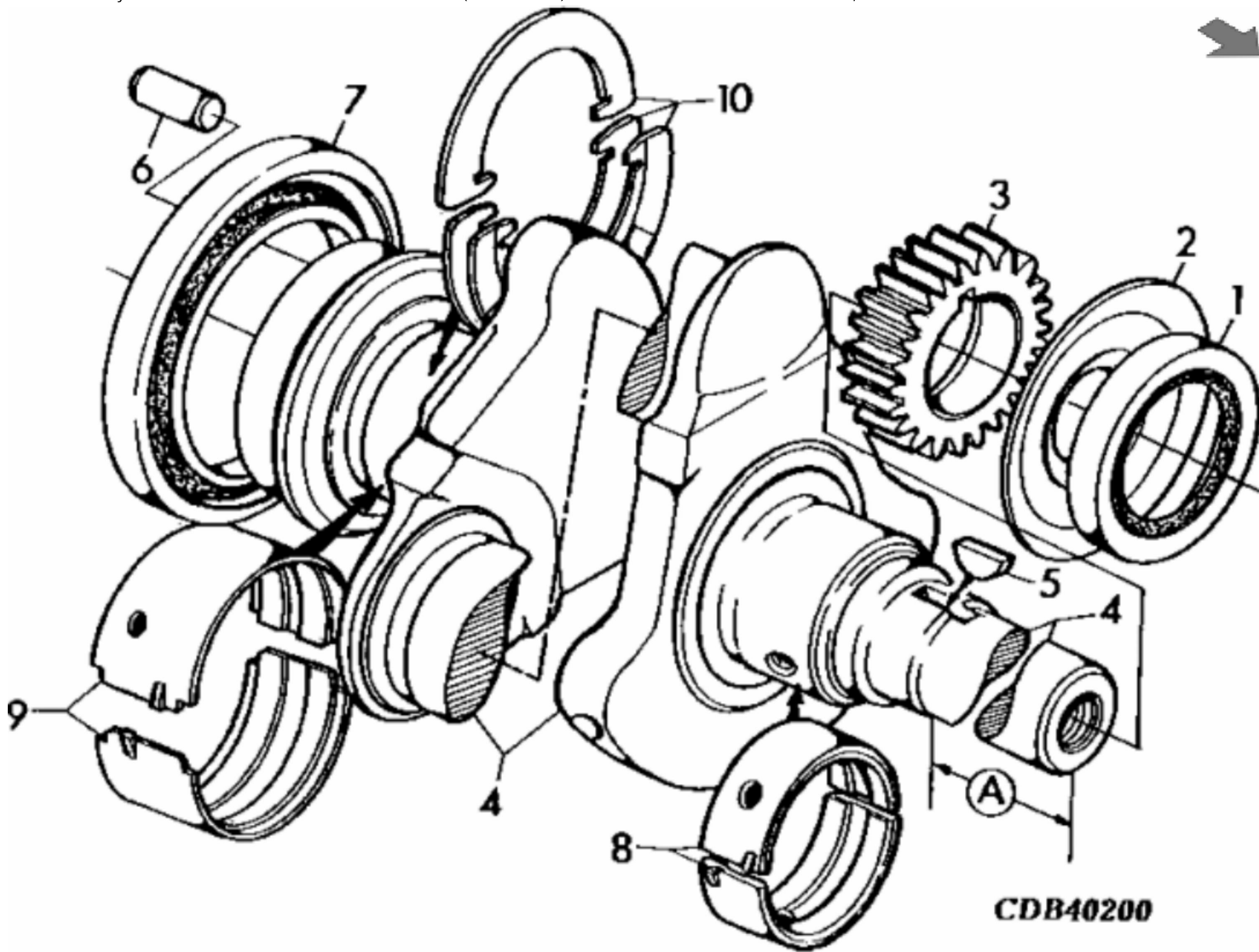
The full manual is available for immediate download.

**<https://www.ebooklibonline.com>**



PY50839

KEY	PART NO.	PART NAME	QTY	REMARKS	
1	26H72	SHAFT KEY	1	1/8" X 5/8"	
2	R502183	CAMSHAFT	1	ORDER RE504451	
2	RE504451	CAMSHAFT	1		
2	SE501623	CAMSHAFT REMAN	AR	REMAN FOR RE504451	
3	R515092	CAM FOLLOWER	6		
4	R119874	BUSHING	1		
5	19H218	CAP SCREW	2	3/8" X 1"	
6	R126246	GEAR	1	Z=48	
7	T20072	PLATE	1		



**CDB40200**



**Suggest:**

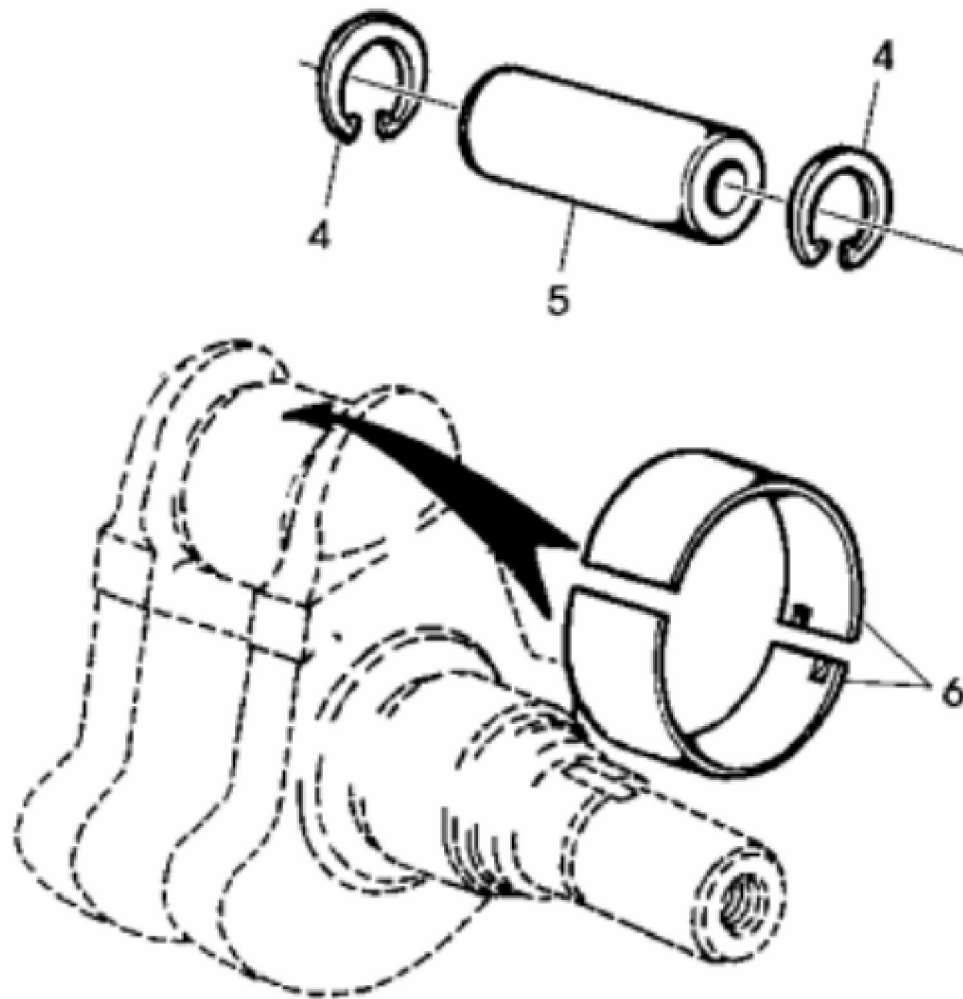
**For more complete manuals. Please go to the home page.**

**<https://www.ebooklibonline.com>**

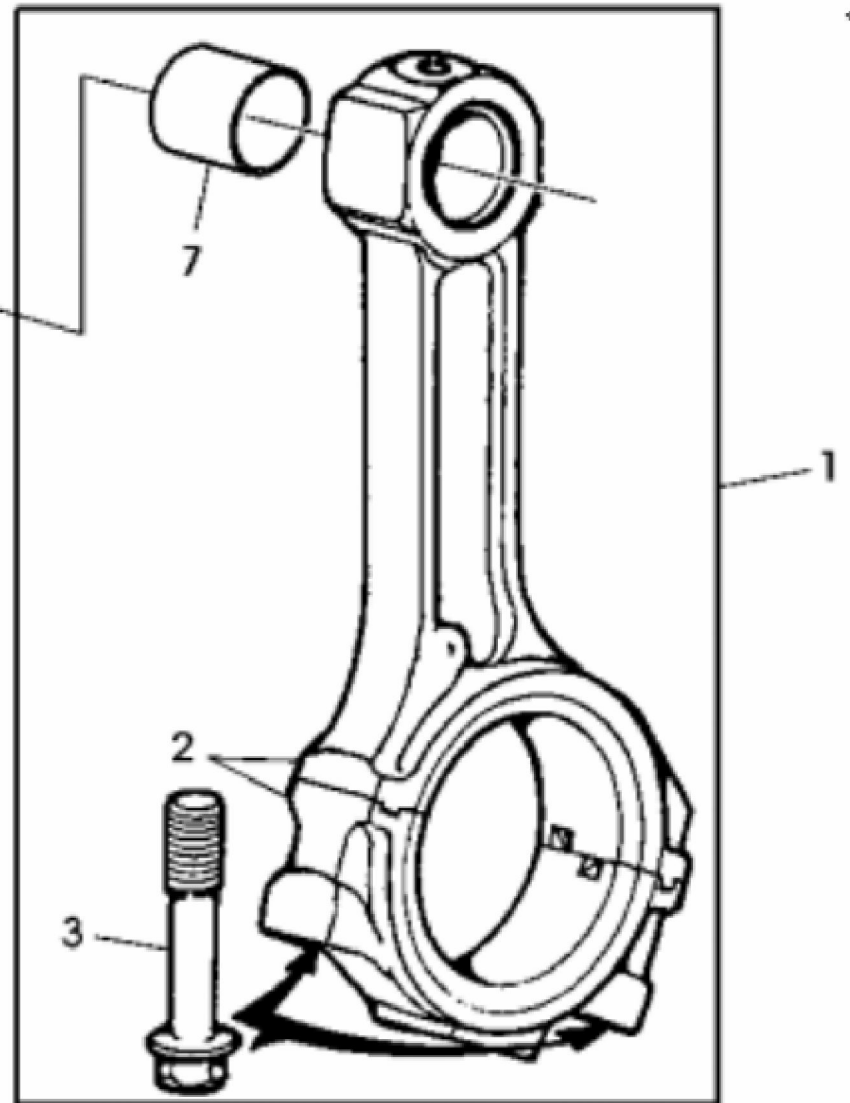
**If the above button click is invalid. Please download this document first, and then click the above link to download the complete manual.**

**Thank you so much for reading**

KEY	PART NO.	PART NAME	QTY	REMARKS	
1	AR67942	SEAL	1	FRONT	
2	T20046	OIL SLINGER	1		
3	R100850	GEAR	1	Z = 24	
4	DZ104327	CRANKSHAFT	1	(SEE GRINDING GUIDELINES CTM3274) A = 60 mm, INCL KEYS 1, 2, 7, 8, 9, 10	
5	26H72	SHAFT KEY	1	1/8" X 5/8"	
6	A120R	DOWEL PIN	1	OD =12.7 mm, (0.5")	
7	RE44574	SEAL	1	REAR	
8	R515304	BEARING	6	STD 'MAIN BEARING SHELL	
9	R515305	BEARING	2	STD 'THRUST BEARING SHELL	
10	R516362	THRUST WASHER	3	TK = STD	



PY51366



**<https://www.ebooklibonline.com>**

Hello dear friend!

Thank you very much for reading.

Enter the link into your browser.

The full manual is available for immediate download.

**<https://www.ebooklibonline.com>**