

KEY	PART NO.	PART NAME	QTY	REMARKS
1	M800970	BOLT	14	
2	M810048	ENGINE CYLINDER HEAD GASKET	1	
3	AM880950	CYLINDER BLOCK	1	
4	CH10335	PLUG	3	
5	EPC200680	PLUG	1	
6	M802255	PIN	4	8 X 16
7	DRAIN PLUG	1	
8	CH18079	SPRING PIN	2	
9	30M7023	PLUG	6	
10	15H562	PIPE PLUG	1	1"
11	M800977	BUSHING	1	CAMSHAFT
12	M800978	SHAFT	1	IDLER
13	CH19101	BOLT	2	
14	M87801	PLUG	2	
15	M800974	PIPE	2	
16	MIA880553	BEARING	2	THRUST, STD, (SUB FOR AM875301)
16	AM875594	BEARING KIT	2	.25 MM (.010") OS, THRUST
17	MIA880559	BEARING	4	MAIN, STD, (SUB FOR AM875300)
17	MIA880549	BEARING	4	.25MM (.010") US, MAIN, (SUB FOR AM875302)
18	BEARING CAP	3	
19	M87879	BOLT	8	
20	BEARING CAP	1	
21	LVU12384	HEAT SHIELD	1	RH
22	LVU12389	HEAT SHIELD	1	LH
23	19M7788	BOLT	1	M12 X 25
24	19M7865	BOLT	2	M8 X 16
25	19M7866	BOLT	1	M8 X 20
26	19M7783	BOLT	1	M10 X 16
27	14M7298	FLANGE NUT	1	M8
28	LVU13712	SPACER	1	
29	LVU13711	SPACER	1	
..	AM131601	ENGINE	1	(MARKED 3TNE82A-EJTS) (SUB AM880949)
..	AM880949	SHORT BLOCK ASSEMBLY	1	
..	LVU13639	ISOLATOR	1	RH AIRDAM SHIELD
..	LVU13645	ISOLATOR	1	LH AIRDAM SHIELD

<https://www.ebooklibonline.com>

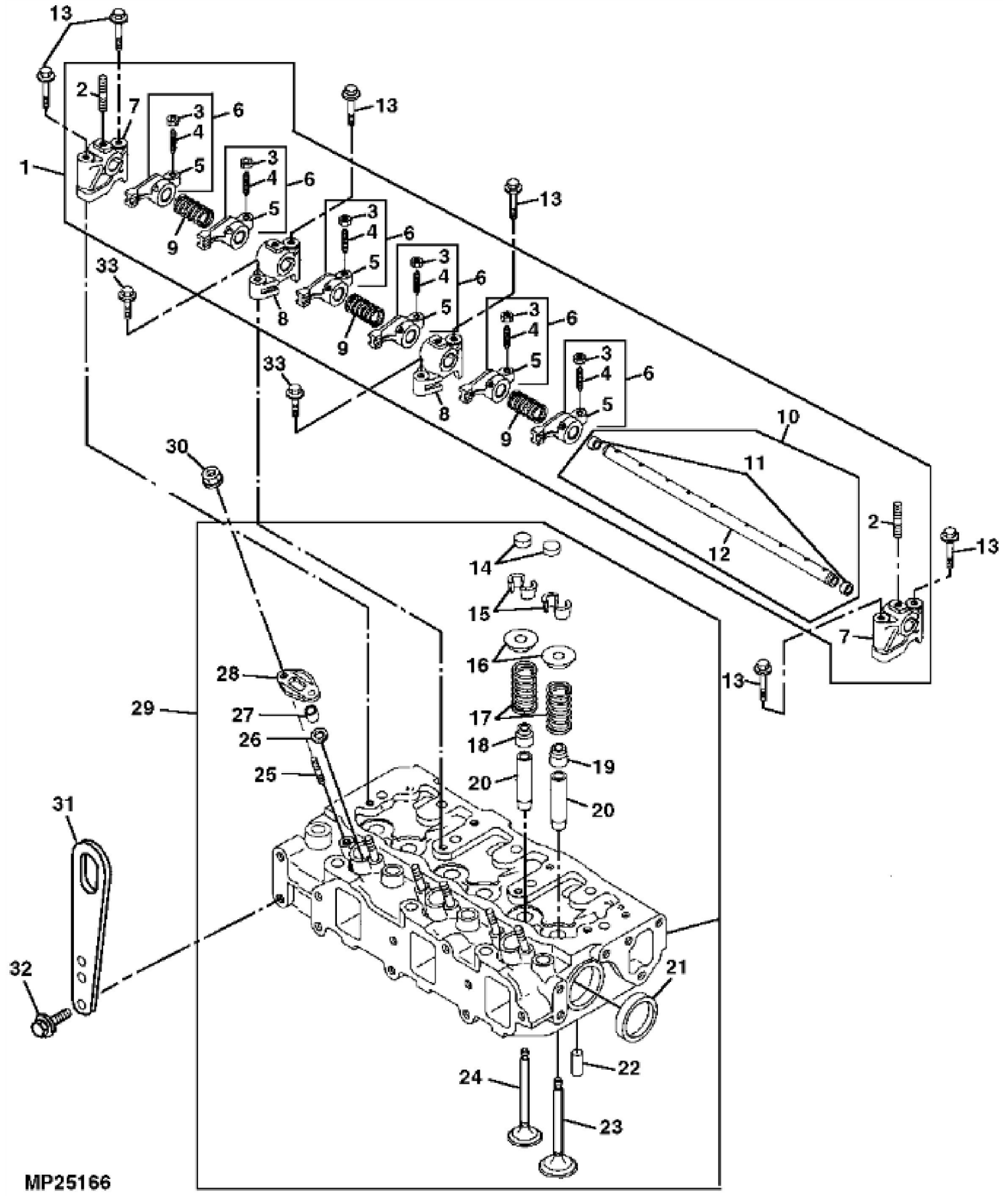
Hello dear friend!

Thank you very much for reading.

Enter the link into your browser.

The full manual is available for immediate download.

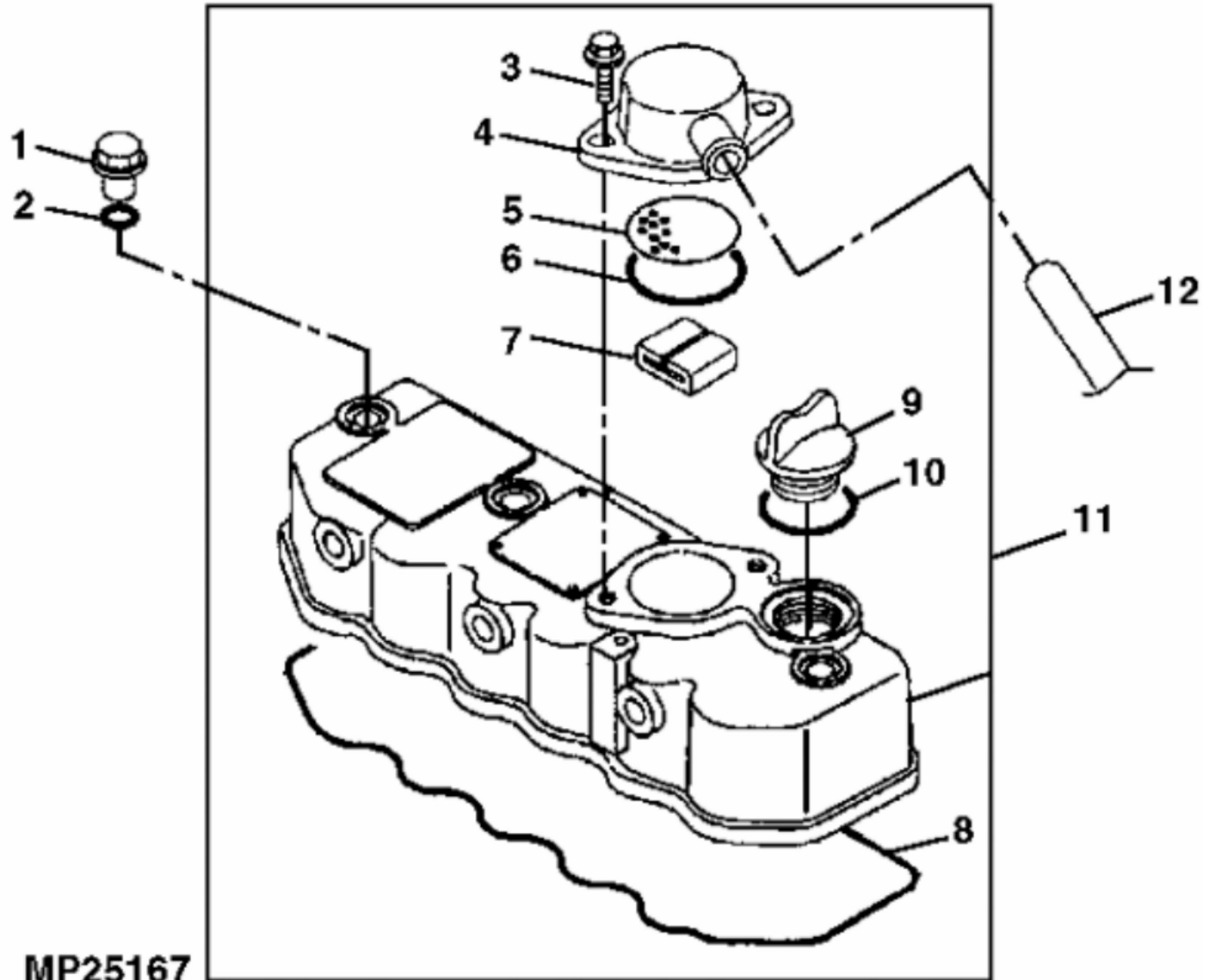
<https://www.ebooklibonline.com>



MP25166

ARMS

KEY	PART NO.	PART NAME	QTY	REMARKS
1	RG60244	ROCKER ARM SHAFT	1	
2	M801024	STUD	3	
3	M801028	NUT	1	
4	M801027	SCREW	1	
5	ROCKER ARM	1	
6	AM875311	ARM	6	
7	M801022	SUPPORT	2	ROCKER ARM (A)
8	M801023	SUPPORT	2	ROCKER ARM (B)
9	M801025	SPRING	3	
10	AM875310	SHAFT	1	SUPPORT
11	M800002	PLUG	2	
12	ROCKER ARM SHAFT	1	
13	19M7800	SCREW	6	M8 X 50
14	CH12585	CAP	6	
15	AM100828	RETAINER KIT	3	(2 PER PKG)
16	M801015	RETAINER	6	SPRING
17	M801014	SPRING	6	VALVE
18	CH10346	SEAL	3	EXHAUST, (SUB FOR CH15432)
19	CH10346	SEAL	3	INTAKE
20	CH16041	GUIDE	6	
21	CH16751	PLUG	2	
22	CH18079	SPRING PIN	2	
23	M801012	INTAKE VALVE	3	
24	RG60149	EXHAUST VALVE	3	
25	M801011	STUD	6	
26	M801017	VALVE SEAT	3	
27	M801016	GUARD	3	(SUB FOR M810460)
28	M801018	RETAINER	3	
29	AM878523	CYLINDER HEAD	1	
30	14M7303	FLANGE NUT	6	M6
31	AT211695	LIFT ARM	2	
32	19M7865	SCREW	4	M8 X 16
33	19M7867	SCREW	2	M8 X 25



MP25167



Suggest:

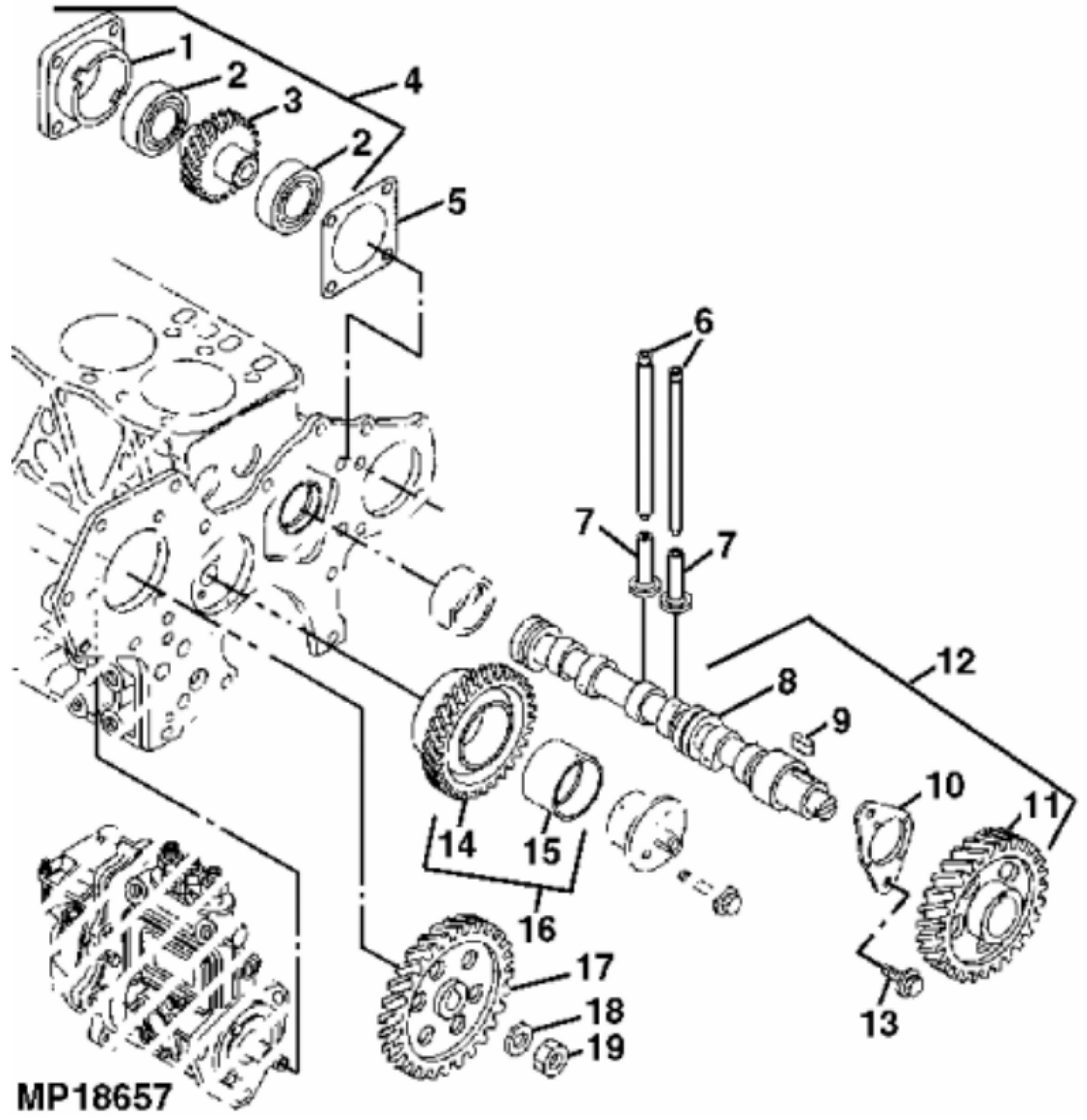
For more complete manuals. Please go to the home page.

<https://www.ebooklibonline.com>

If the above button click is invalid. Please download this document first, and then click the above link to download the complete manual.

Thank you so much for reading

KEY	PART NO.	PART NAME	QTY	REMARKS	
1	CH10348	NUT	3		
2	CH10568	PACKING	3		
3	19M7865	SCREW	2	M8 X 16	
4	M801031	CAP	1		
5	M801033	PLATE	1		
6	M801034	O-RING	1		
7	M801032	DEFLECTOR	1		
8	M801036	O-RING	1		
9	M805710	CAP	1		
10	M805711	PACKING	1		
11	AM875312	VALVE COVER	1	NLA	
12	M804268	HOSE	1	BREATHER	



<https://www.ebooklibonline.com>

Hello dear friend!

Thank you very much for reading.

Enter the link into your browser.

The full manual is available for immediate download.

<https://www.ebooklibonline.com>