

**<https://www.ebooklibonline.com>**

Hello dear friend!

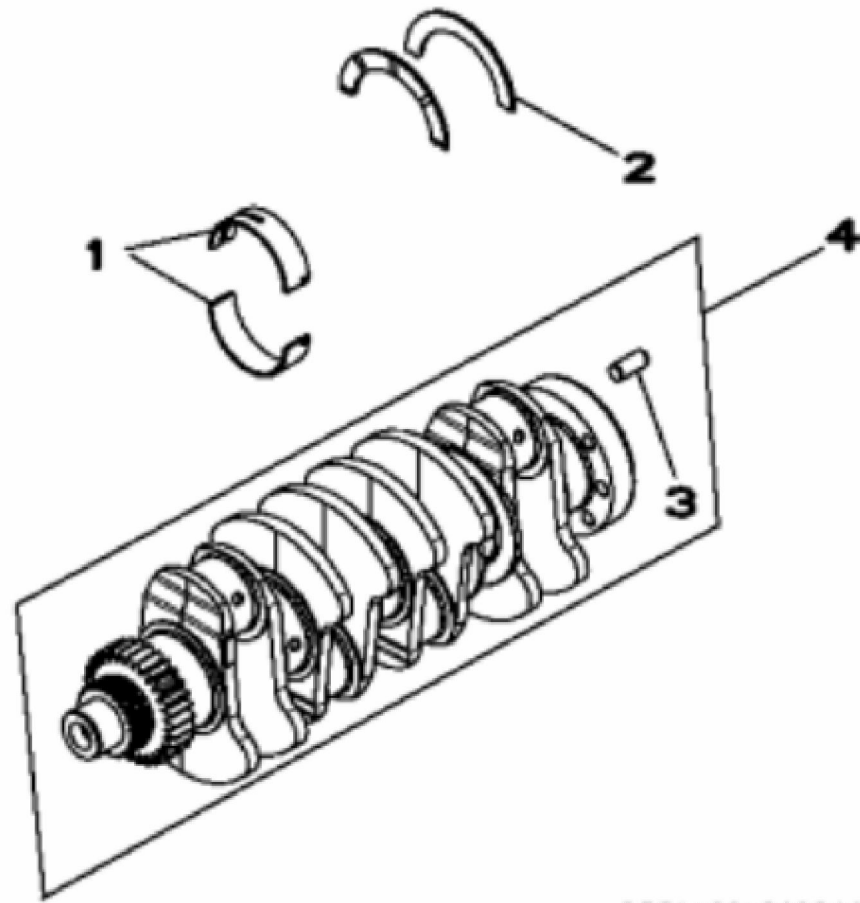
Thank you very much for reading.

Enter the link into your browser.

The full manual is available for immediate download.

**<https://www.ebooklibonline.com>**

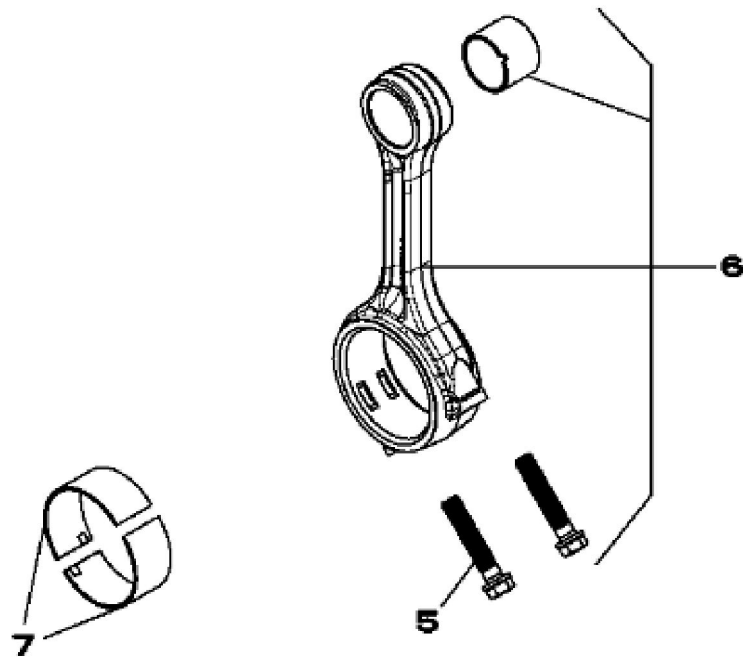
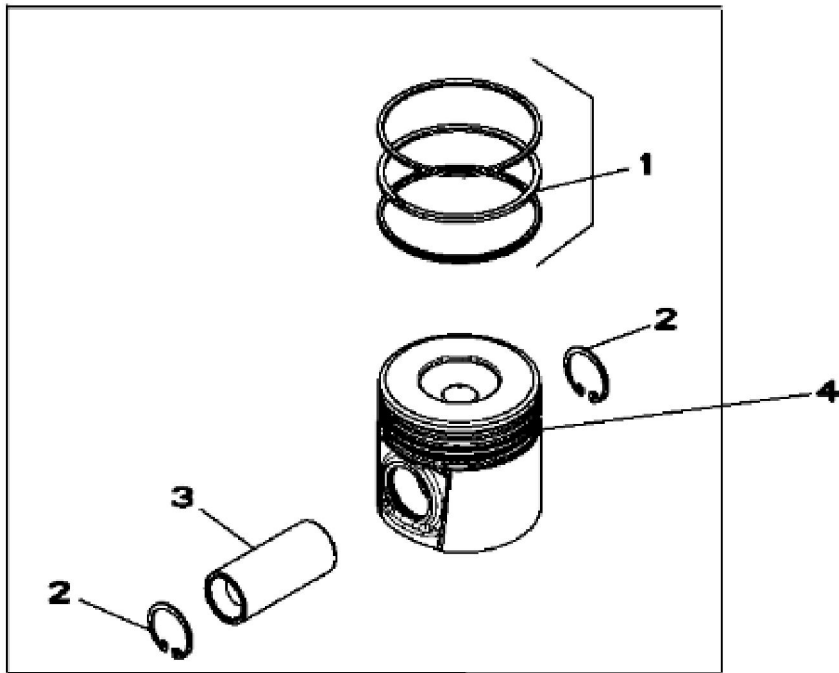
| KEY | PART NO. | PART NAME               | QTY | Engine Serial No. | REMARKS                              |
|-----|----------|-------------------------|-----|-------------------|--------------------------------------|
| 1   | .....    | CYLINDER BLOCK          | NA  | ____-129992       | (MARKEDR502568 ) (USE WITH RE515352) |
| 1   | .....    | CYLINDER BLOCK          | NA  | 129993-____       | (MARKEDR522220 ) (USE WITH RE529912) |
| 2   | R528188  | PIN                     | 4   |                   |                                      |
| 3   | R502725  | PLUG                    | 1   |                   | (Dipstick Tube)                      |
| 4   | RE71255  | PIPE PLUG               | 25  |                   | 1/8"-27NPT                           |
| 5   | 34M7247  | SPRING PIN              | 2   |                   | 11 X 16 mm                           |
| 6   | R504965  | PLUG                    | 1   |                   |                                      |
| 7   | 15H685   | PIPE PLUG               | 1   |                   | 1/4"                                 |
| 8   | R48685   | DOWEL PIN               | 2   |                   | (SUB FOR A120R)                      |
| 9   | R116466  | PLUG                    | 6   |                   |                                      |
| 10  | R515003  | SCREW                   | 8   |                   |                                      |
| 11  | R515004  | SCREW                   | 2   |                   |                                      |
| 12  | R505135  | ORIFICE                 | 4   |                   |                                      |
| 13  | R503315  | BUSHING                 | 4   |                   |                                      |
| 14  | T18891   | PLUG                    | 1   |                   | OD=16MM                              |
| 15  | R504808  | BUSHING                 | 4   |                   |                                      |
| 16  | 34M7094  | SPRING PIN              | 1   |                   | 4 X 16 mm                            |
| 17  | L157372  | SCREW                   | 2   |                   |                                      |
| 18  | .....    | CAMSHAFT                | 1   |                   | (MARKEDR528140) (ORDER RE524771)     |
| 18  | RE524771 | CAM KIT                 | 1   |                   |                                      |
| 18  | SE501618 | CAMSHAFT REMAN          | 1   |                   | (REMAN FOR RE524771)                 |
| 19  | RE518215 | BALL BEARING            | 1   |                   |                                      |
| ..  | .....    | COMPLETE BLOCK ASSEMBLY | 1   |                   | (9901)                               |
| ..  | .....    | OIL PUMP INTAKE         | 1   |                   | (1900)                               |



RE504881PCDD06

John Deere > Turf And Utility > TRACTOR, COMPACT UTILITY > 4120 - TRACTOR, COMPACT UTILITY > 4120 Compact Utility Tractor > 20 ENGINE 4024TLV04-RE522472 > ST293065 - 4701 CRANKSHAFT / BEARINGS

| KEY | PART NO. | PART NAME        | QTY | REMARKS                     |  |
|-----|----------|------------------|-----|-----------------------------|--|
| 1   | .....    | BEARING KIT      | 5   | STD (9901) (ORDER RE520626) |  |
| 2   | R502796  | THRUST WASHER    | 2   | (1 PC)                      |  |
| 2   | .....    | KIT              | 1   | (2 PC), (9901)              |  |
| 3   | R48685   | DOWEL PIN        | 1   |                             |  |
| 4   | RE504879 | CRANKSHAFT       | 1   |                             |  |
| 4   | SE501642 | CRANKSHAFT REMAN | 1   | (REMAN FOR RE504879)        |  |



RE522989PCDA03



**Suggest:**

**For more complete manuals. Please go to the home page.**

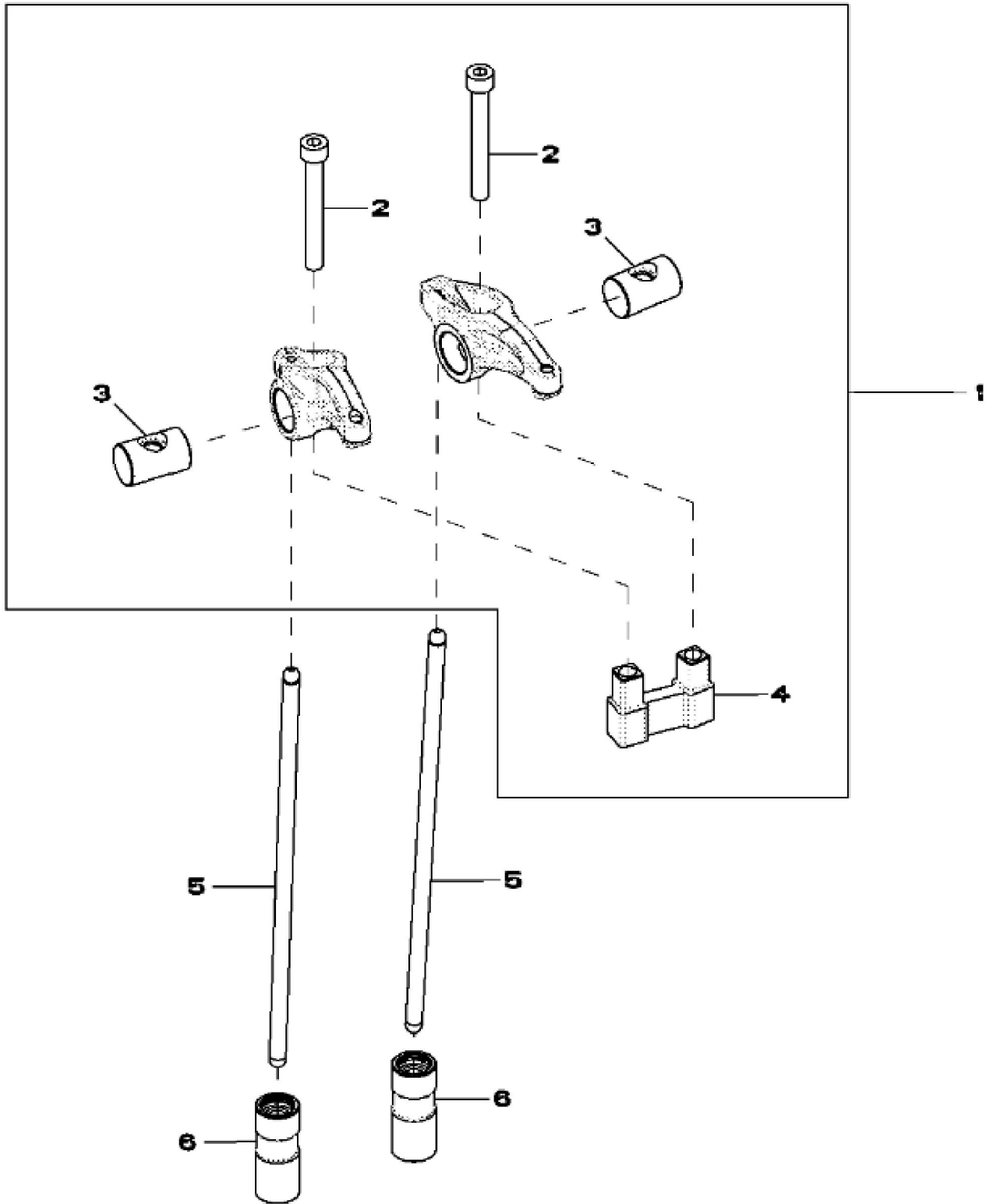
**<https://www.ebooklibonline.com>**

**If the above button click is invalid. Please download this document first, and then click the above link to download the complete manual.**

**Thank you so much for reading**

John Deere > Turf And Utility >TRACTOR, COMPACT UTILITY >4120 - TRACTOR, COMPACT UTILITY >4120 Compact Utility Tractor >20 ENGINE 4024TLV04-RE522472 >ST293067 - 4806 CONNECTING RODS AND PISTONS

| KEY | PART NO. | PART NAME              | QTY | REMARKS               |
|-----|----------|------------------------|-----|-----------------------|
| 1   | RE520935 | PISTON RING KIT        | 4   |                       |
| 2   | 40M1855  | SNAP RING              | 8   |                       |
| 3   | R503480  | PISTON PIN             | 4   | OD=30MM               |
| 4   | RE522308 | PISTON REPLACEMENT KIT | 4   | STD (MARKED RE522094) |
| 5   | R502503  | SCREW                  | 8   | M10 X 49              |
| 6   | RE504544 | CONNECTING ROD         | 4   |                       |
| 6   | SE501898 | CONNECTING ROD REMAN   | 4   | (REMAN FOR RE504544)  |
| 7   | RE520937 | BEARING KIT            | 4   |                       |



**<https://www.ebooklibonline.com>**

Hello dear friend!

Thank you very much for reading.

Enter the link into your browser.

The full manual is available for immediate download.

**<https://www.ebooklibonline.com>**