

MP26551

KEY	PART NO.	PART NAME	QTY	REMARKS
1	M800970	BOLT	14	
2	M806729	ENGINE CYLINDER HEAD GASKET	1	
3	AM878590	CYLINDER BLOCK	1	
4	CH10335	PLUG	3	
5	EPC200680	PLUG	1	
6	M802255	PIN	4	8 X 16
7	.....	DRAIN PLUG	1	
8	CH18079	SPRING PIN	2	
9	30M7023	PLUG	6	
10	15H562	PIPE PLUG	1	1"
11	M800977	BUSHING	1	CAMSHAFT
12	M800978	SHAFT	1	IDLER
13	CH19101	BOLT	2	
14	M87801	PLUG	2	
15	M800974	PIPE	2	
16	MIA880553	BEARING	2	STD, (SUB FOR AM875301)
16	AM875594	BEARING KIT	2	.25 MM (.010") OS
17	MIA880559	BEARING	4	STD, (SUB FOR AM875300)
17	MIA880549	BEARING	4	.25 MM (.010") US, (SUB FOR AM875302)
18	.....	BEARING CAP	3	
19	M87879	BOLT	8	
20	.....	BEARING CAP	1	
..	.....	ENGINE	1	(MARKED 3TNE78A-EJK) (ORDER AM880660)
..	AM880660	SHORT BLOCK ASSEMBLY	1	

**<https://www.ebooklibonline.com>**

Hello dear friend!

Thank you very much for reading.

Enter the link into your browser.

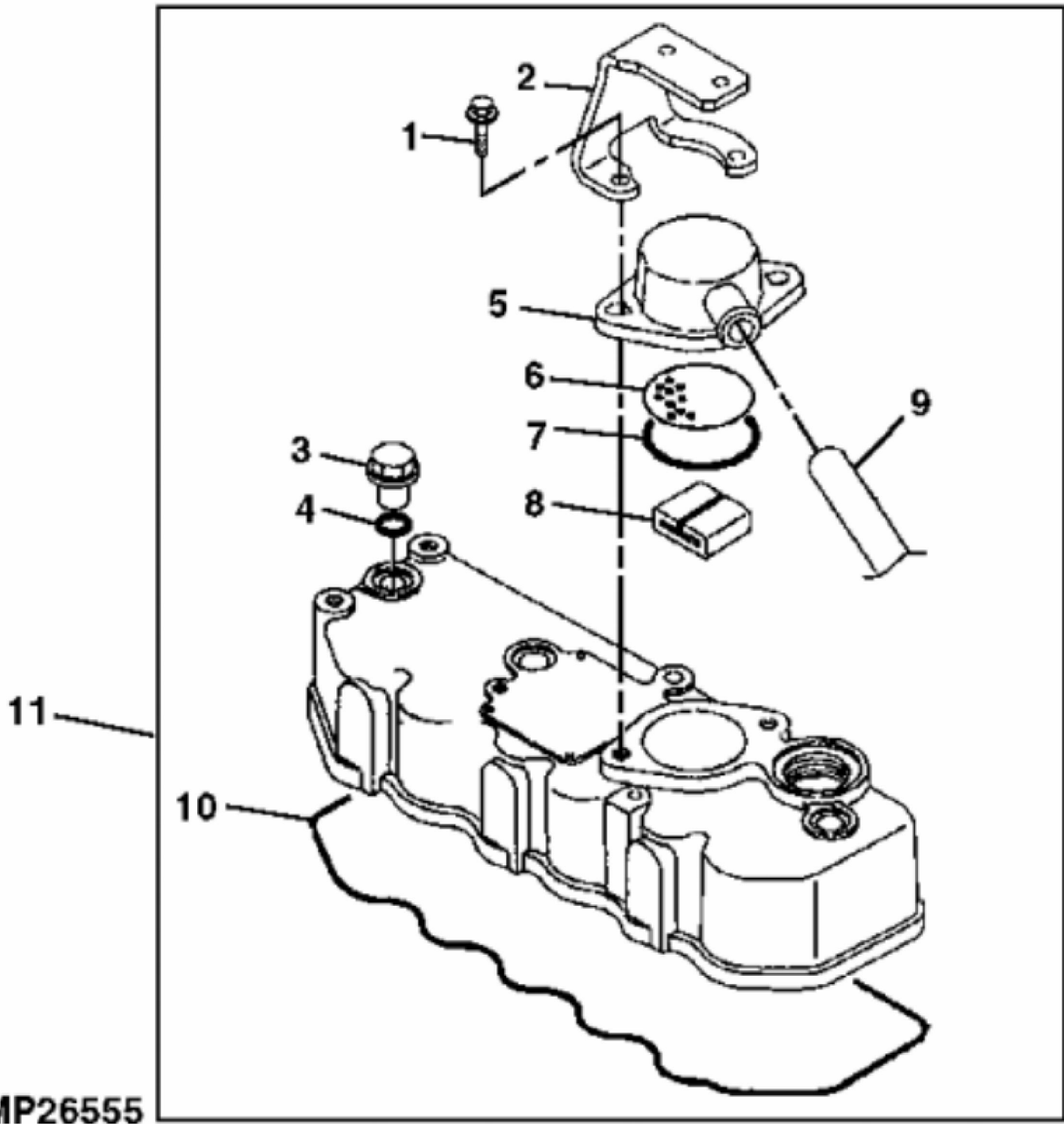
The full manual is available for immediate download.

**<https://www.ebooklibonline.com>**



## ARMS

KEY	PART NO.	PART NAME	QTY	REMARKS
1	M801024	STUD	3	
2	19M7800	SCREW	6	M8 X 50
3	M801028	NUT	1	
4	M801027	SCREW	1	
5	.....	ROCKER ARM	1	
6	RG60245	ROCKER ARM	6	
7	M801022	SUPPORT	2	ROCKER ARM
8	M801023	SUPPORT	2	ROCKER ARM
9	M801025	SPRING	3	
10	19M7867	SCREW	2	M8 X 25
11	M800002	PLUG	2	
12	.....	ROCKER ARM SHAFT	1	
13	AM875310	SHAFT	1	SUPPORT
14	CH12585	CAP	6	
15	AM100828	RETAINER KIT	3	VALVE RETAINER
16	M801015	RETAINER	6	SPRING
17	M801014	SPRING	6	VALVE
18	CH10346	SEAL	3	EXHAUST
19	CH10346	SEAL	3	INTAKE
20	CH16041	GUIDE	6	
21	CH16751	PLUG	2	
22	CH18079	SPRING PIN	1	
23	M801012	INTAKE VALVE	3	
24	RG60149	EXHAUST VALVE	3	
25	M801011	STUD	6	
26	M801017	VALVE SEAT	3	
27	M801016	GUARD	3	(SUB FOR M806732 AND M810460)
28	M801018	RETAINER	3	
29	AM878523	CYLINDER HEAD	1	
30	14M7303	FLANGE NUT	6	M6
31	AT211695	LIFT ARM	2	
32	19M7865	SCREW	4	M8 X 16



MP26555



**Suggest:**

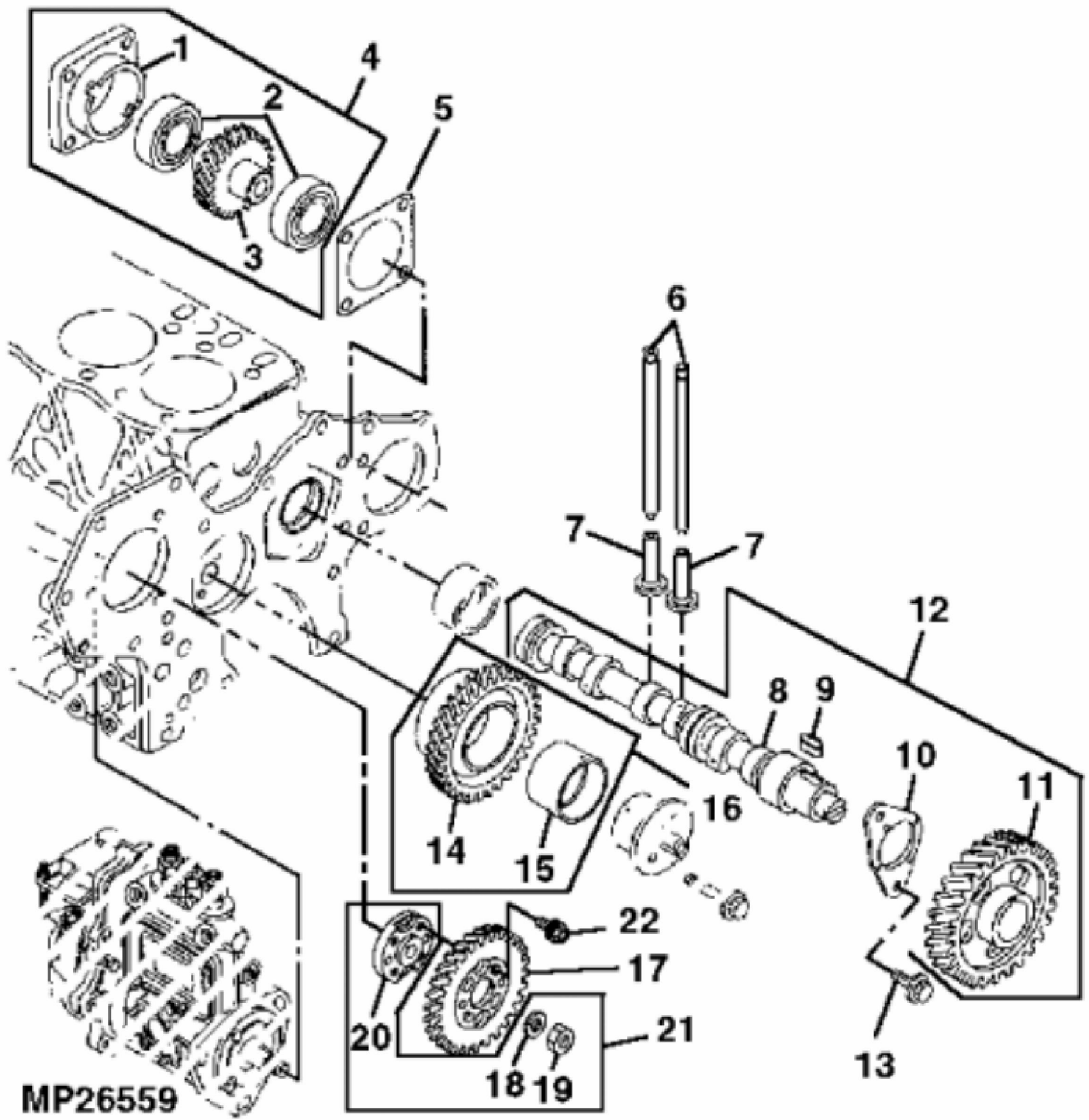
**For more complete manuals. Please go to the home page.**

**<https://www.ebooklibonline.com>**

**If the above button click is invalid. Please download this document first, and then click the above link to download the complete manual.**

**Thank you so much for reading**

KEY	PART NO.	PART NAME	QTY	REMARKS	
1	19M7867	SCREW	2	M8 X 25, SUB FOR CH19088	
2	M810130	BRACKET	1		
3	CH10348	NUT	3		
4	CH10568	PACKING	3		
5	M801031	CAP	1		
6	M801033	PLATE	1		
7	M801034	O-RING	1		
8	M801032	DEFLECTOR	1		
9	M801037	HOSE	AR	BREATHER	
10	M801036	GASKET	1		
11	AM881017	VALVE COVER	1		



MP26559

**<https://www.ebooklibonline.com>**

Hello dear friend!

Thank you very much for reading.

Enter the link into your browser.

The full manual is available for immediate download.

**<https://www.ebooklibonline.com>**