

KEY	PART NO.	PART NAME	QTY	REMARKS	
1	MIA882493	CYLINDER BLOCK	1		
2	M809565	DRAIN PLUG	1		
3	15H562	PIPE PLUG	1	1"	
4	M801189	BOLT	10		
5	MIU800573	BUSHING	1	Camshaft	
6	30M7023	PLUG	8		
7	CH10314	PLUG	1		
8	CH10335	PLUG	3		
9	M87801	PLUG	1		
10	M801186	BOLT	18		
11	MIU802736	GASKET	1	Cylinder Head	
12	M811307	PLUG	1		
13	MIA880554	BEARING	5	(Spare Part)	
13	MIA880550	BEARING	5	(Under-Sized (U.S=0.25) Part)	
14	MIA882809	BEARING KIT	1	(Over-Sized (O.S=0.25) Part)	
14	MIA880555	BEARING	2		
15	MIA13032	DIESEL ENGINE	1	Not Illustrated MARKED 4TNV88C-MJT; SUB FOR MIA12244	

<https://www.ebooklibonline.com>

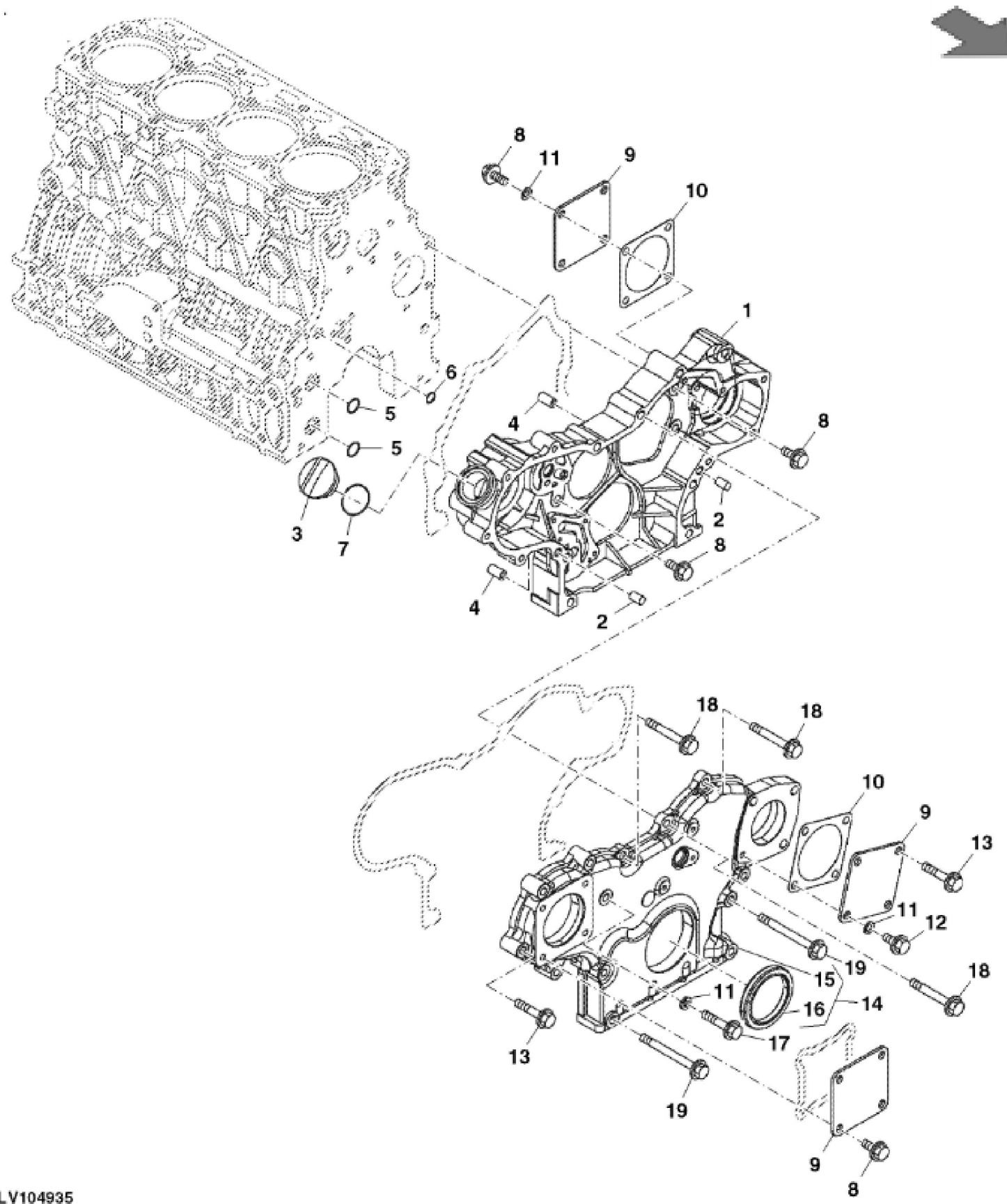
Hello dear friend!

Thank you very much for reading.

Enter the link into your browser.

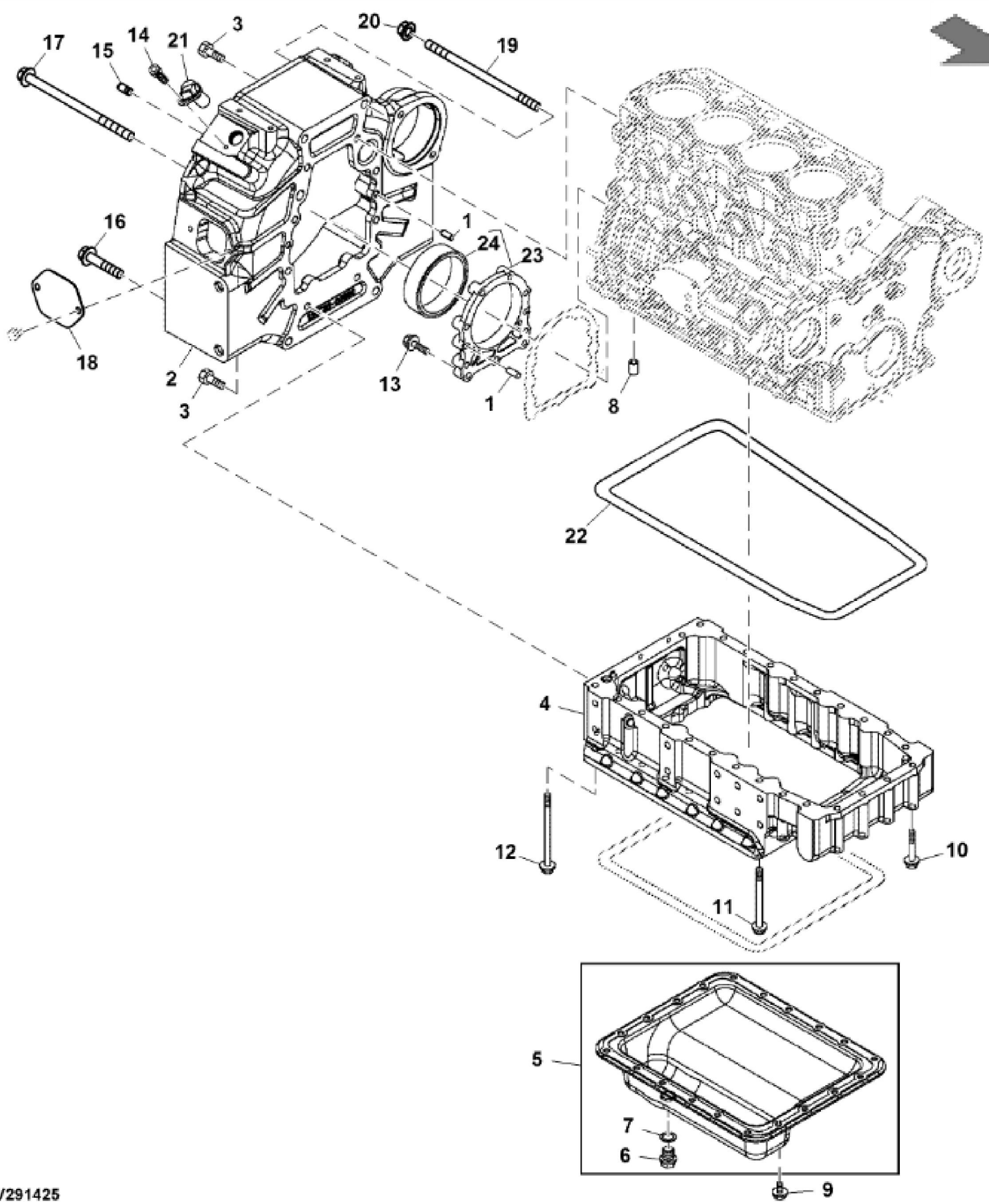
The full manual is available for immediate download.

<https://www.ebooklibonline.com>



PULV104935

KEY	PART NO.	PART NAME	QTY	REMARKS	
1	MIU803207	GEAR CASE	1		
2	M802255	PIN	2		
3	M805710	CAP	1	Oil Fill	
4	M800974	PIPE	2	For Gear Case	
5	M810185	O-RING	2		
6	M809204	O-RING	1		
7	M805711	PACKING	1		
8	19M7865	SCREW	11	M8 X 16	
9	CH18096	COVER	3		
10	MIU802578	GASKET	2		
11	M803523	WASHER	3		
12	CH19780	BOLT	1		
13	19M7897	SCREW	8	M8 X 35	
14	MIA882962	COVER KIT	1		
15	MIU803224	COVER	1		
16	M811078	SEAL	1		
17	CH19090	BOLT	1	SUB FOR 19M7897	
18	19M7801	SCREW	3	M8 X 60	
19	CH19136	BOLT	4		



LV291425



Suggest:

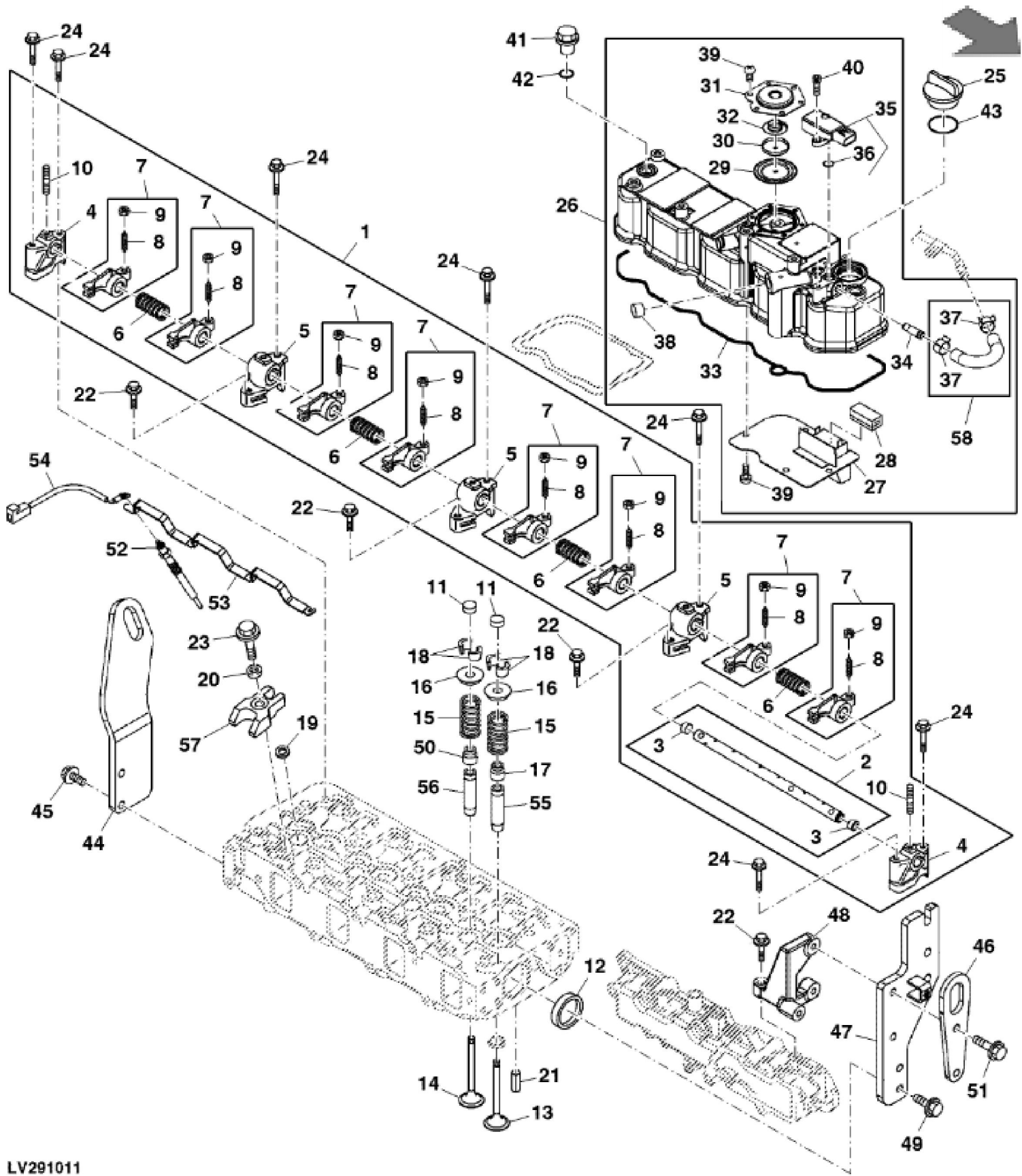
For more complete manuals. Please go to the home page.

<https://www.ebooklibonline.com>

If the above button click is invalid. Please download this document first, and then click the above link to download the complete manual.

Thank you so much for reading

KEY	PART NO.	PART NAME	QTY	REMARKS	
1	M802255	PIN	4		
2	MIU803279	FLYWHEEL	1		
3	19M7402	CAP SCREW	8	M10 X 25, SUB FOR M800077	
4	MIU803597	OIL PAN	1		
5	AM881955	COVER	1		
6	T111565	PLUG	1	Drain	
7	M811568	WASHER	1		
8	T110645	PIPE	1		
9	19M7864	SCREW	20	M8 X 12	
10	CH19136	BOLT	8		
11	CH19093	BOLT	14		
12	T111562	BOLT	4		
13	M808308	BOLT	9		
14	M800695	BOLT	1		
15	44M7131	DOWEL PIN	2		
16	19M7815	SCREW	5	M12 X 60	
17	LVU25337	SCREW	2		
18	M132855	PLATE	1		
19	LVU26821	ROD	2		
20	14M7299	FLANGE NUT	2	M12	
21	MIU802138	SENSOR	1		
22	M64850	SEALANT	1		
23	AM875375	CASE	1		
24	M805278	SEAL	1		



LV291011

<https://www.ebooklibonline.com>

Hello dear friend!

Thank you very much for reading.

Enter the link into your browser.

The full manual is available for immediate download.

<https://www.ebooklibonline.com>