

John Deere > Turf And Utility >TRACTOR, COMPACT UTILITY >3TNV88 - TRACTOR, COMPACT UTILITY >3320 Compact Utility Tractor >20 ENGINE (MARKED 3TNV88-MJT) >ST145096 - CYLINDER BLOCK AND MAIN BEARINGS

KEY	PART NO.	PART NAME	QTY	REMARKS
1	M801186	BOLT	14	
2	M806811	ENGINE CYLINDER HEAD GASKET	1	
3	AM882169	CYLINDER BLOCK	1	
4	30M7023	PLUG	6	
5	15H562	PIPE PLUG	1	1"
6	MIU800573	BUSHING	1	CAMSHAFT (SUB FOR M800977)
7	M811055	SHAFT	1	IDLE GEAR
8	19M8317	BOLT	3	
9	M87801	PLUG	2	
10	M800974	PIPE	2	KNOCK, L=18 FOR GEARCASE
11	MIA880554	BEARING	4	MAIN (STD) (SUB FOR AM881821)
11	MIA880550	BEARING	4	(.25 MM (.010")), US, MAIN (SUB FOR AM875374)
12	BEARING CAP	3	MAIN BEARING
13	M801189	BOLT	8	
14	BEARING CAP	1	MAIN BEARING
15	MIA880555	THRUST WASHER	2	BEARING ASSY (SUB FOR AM875373)
16	CH10335	PLUG	3	
17	CH10314	PLUG	1	
18	M802255	PIN	4	
19	DRAIN PLUG	1	
20	CH18079	SPRING PIN	2	
21	M811084	SPACER	1	
..	AM133332	ENGINE	1	(MARKED 3TNV88-MJT) (ORDER AM882171)
..	AM882171	SHORT BLOCK ASSEMBLY	1	

<https://www.ebooklibonline.com>

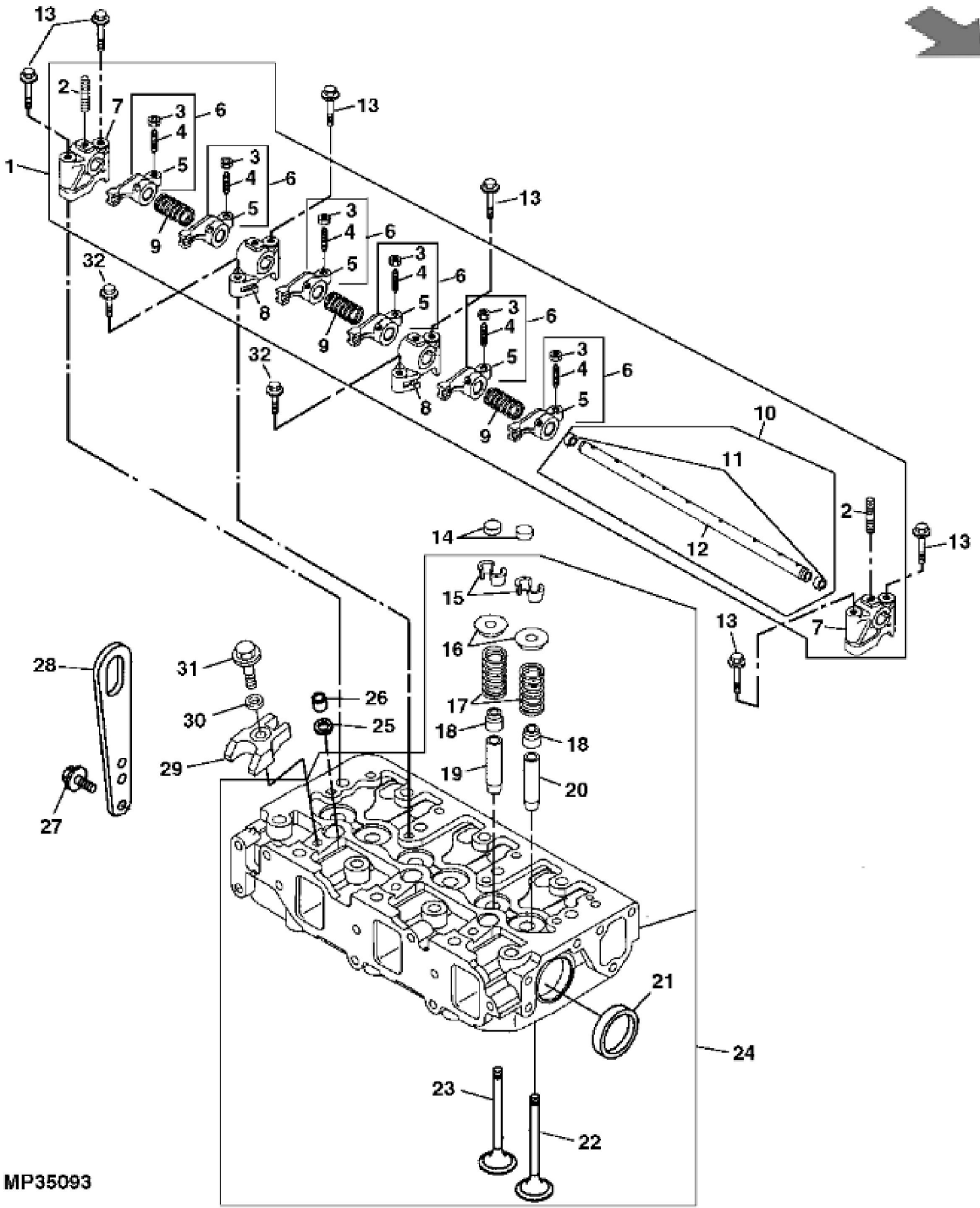
Hello dear friend!

Thank you very much for reading.

Enter the link into your browser.

The full manual is available for immediate download.

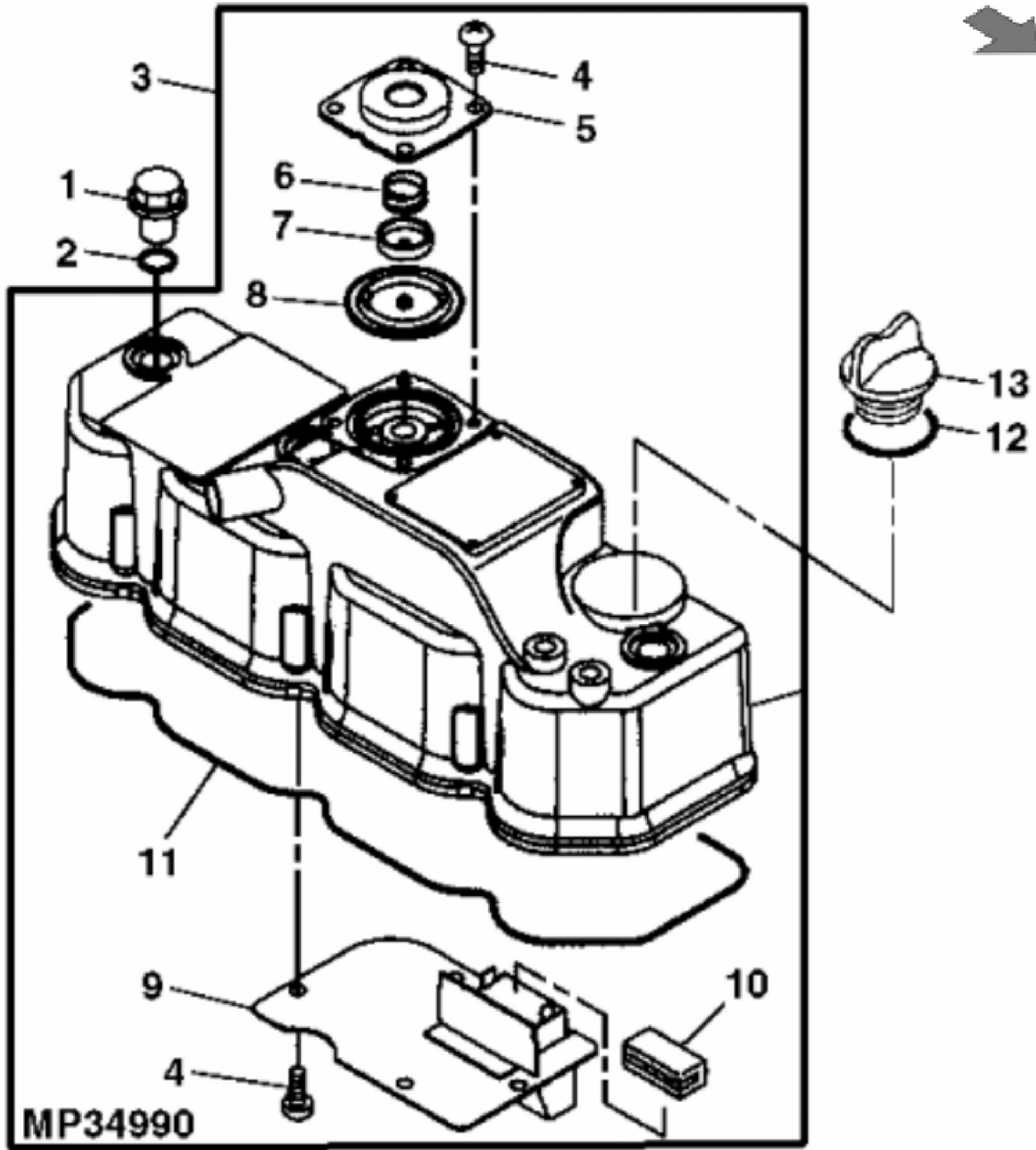
<https://www.ebooklibonline.com>



MP35093

John Deere > Turf And Utility >TRACTOR, COMPACT UTILITY >3TNV88 - TRACTOR, COMPACT UTILITY >3320 Compact Utility Tractor >20 ENGINE (MARKED 3TNV88-MJT) >ST145097 - CYLINDER HEAD, VALVES AND ROCKER ARMS

KEY	PART NO.	PART NAME	QTY	REMARKS
1	AM882086	KIT	1	ROCKER SHAFT
2	STUD	2	
3	M801028	NUT	6	
4	M801027	STUD	6	ADJUST
5	ROCKER ARM	6	
6	AM881820	ARM	6	
7	M811050	SUPPORT	2	ROCKER ARM
8	M811051	SUPPORT	2	ROCKER ARM
9	M801025	SPRING	3	
10	M811426	ROCKER ARM SHAFT	1	
11	PLUG	2	
12	SHAFT	1	
13	19M7800	BOLT	6	
14	M801224	CAP	6	
15	AM878862	RETAINER KIT	6	(2 PER PKG) , VALVE RETAINER
16	M801223	RETAINER	6	SPRING
17	M801222	SPRING	6	VALVE
18	CH10450	SEAL	3	INTAKE
18	T110650	SEAL	3	EXHAUST
19	M801228	GUIDE	3	EXHAUST
20	M801227	GUIDE	3	INTAKE
21	CH16751	PLUG	2	
22	MIU800446	INTAKE VALVE	3	(SUB FOR M811086 OR M811797)
23	MIU800494	EXHAUST VALVE	3	(SUB FOR M801221 OR M811796)
24	AM882088	CYLINDER HEAD	1	
25	M801017	VALVE SEAT	3	
26	M811052	GUARD	3	NOZZLE
27	CH19780	BOLT	4	M8 X 14
28	AT211695	LIFT ARM	2	
29	M811088	RETAINER	3	
30	M811080	WASHER	3	
31	19M7897	BOLT	3	
32	19M7867	BOLT	2	





Suggest:

For more complete manuals. Please go to the home page.

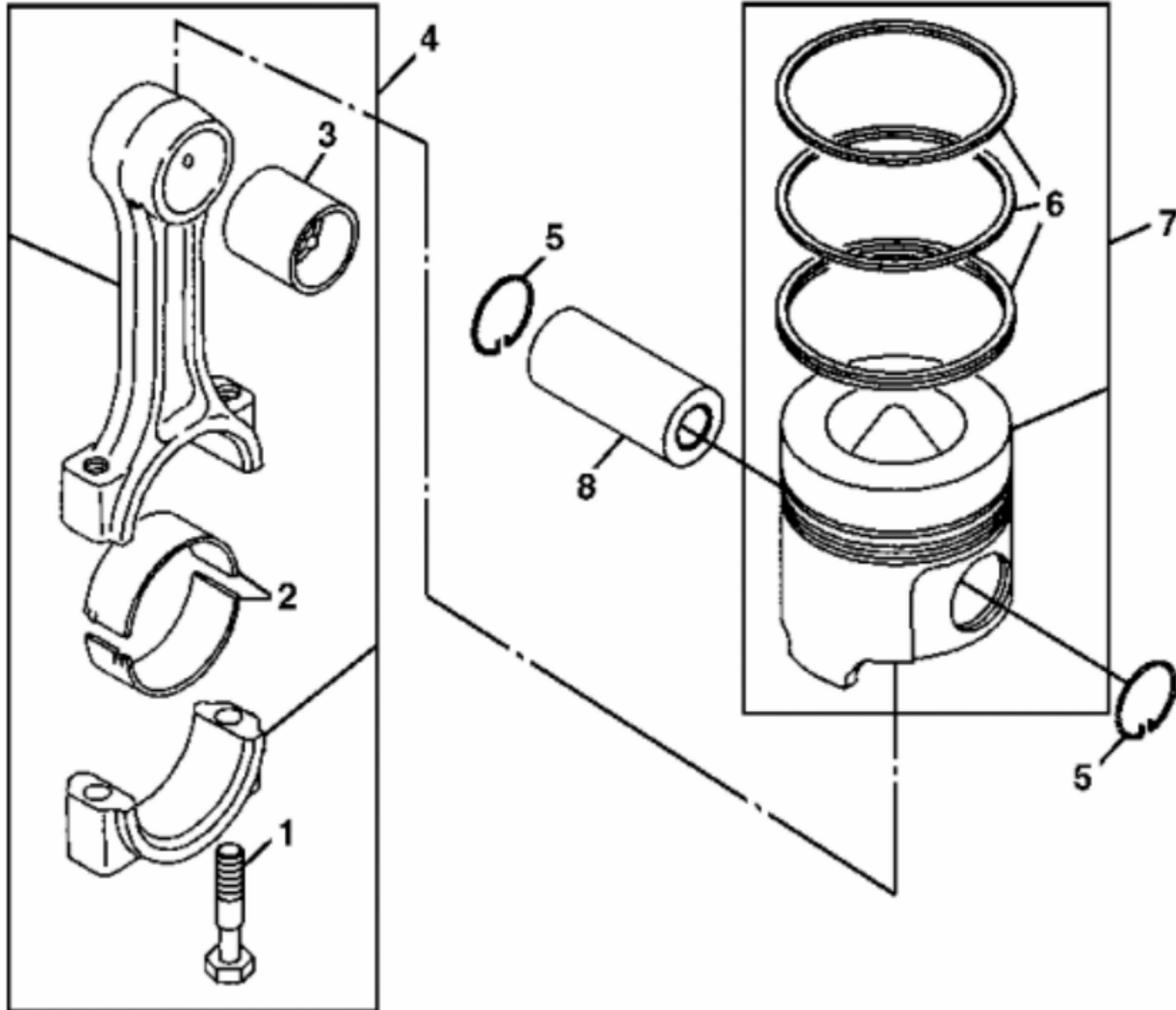
<https://www.ebooklibonline.com>

If the above button click is invalid. Please download this document first, and then click the above link to download the complete manual.

Thank you so much for reading

John Deere > Turf And Utility >TRACTOR, COMPACT UTILITY >3TNV88 - TRACTOR, COMPACT UTILITY >3320 Compact Utility Tractor >20 ENGINE (MARKED 3TNV88-MJT) >ST145098 - CYLINDER HEAD COVER AND GASKETS

KEY	PART NO.	PART NAME	QTY	REMARKS
1	CH10348	PLUG	3	
2	CH10568	O-RING	3	PACKING
3	AM882087	COVER	1	
4	M807374	SCREW	8	
5	M811649	COVER	1	BREATHER (SUB FOR M811047)
6	M811650	SPRING	1	(SUB FOR M811049)
7	M811046	PLATE	1	
8	M811048	DIAPHRAGM	1	
9	M811085	PLATE	1	
10	M801032	DEFLECTOR	1	
11	M811429	GASKET	1	
12	M805711	O-RING	1	PACKING P32
13	M805710	CAP	1	OIL FILL



MP18666

<https://www.ebooklibonline.com>

Hello dear friend!

Thank you very much for reading.

Enter the link into your browser.

The full manual is available for immediate download.

<https://www.ebooklibonline.com>