

MP60213

John Deere > Turf And Utility > MOWER, FAIRWAY > 3235C - MOWER, FAIRWAY > 3235C Lightweight Fairway Mower (Worldwide Edition) > 21 ENGINE 3TNV84T TCA14029 > ST590582 - CYLINDER BLOCK AND MAIN BEARINGS

KEY	PART NO.	PART NAME	QTY	REMARKS
1	M801186	BOLT	14	
2	CH18079	SPRING PIN	2	
3	30M7023	PLUG	6	
4	CH10335	PLUG	3	
5	M802255	PIN	4	
6	M811084	SPACER	1	
7	CH10314	PLUG	1	
8	.....	CAP	1	
9	AM875373	BEARING KIT	1	STANDARD
9	MIA880568	BEARING	1	0.25 US, (SUB FOR AM875395)
10	AM875371	BEARING KIT	1	CRANKSHAFT
10	MIA880554	BEARING	1	(SUB FOR AM881821)
10	MIA880550	BEARING	1	0.25 US, (SUB FOR AM875374)
11	.....	CAP	1	
12	M801189	BOLT	8	
13	T110724	CHECK VALVE	3	
13	T111560	RING	3	
13	M811591	BALL	3	(SUB FOR CH10565)
14	T110725	NOZZLE	3	OIL
15	CH15575	PIN	3	
16	M800974	PIPE	2	
17	M87801	PLUG	2	
18	19M8317	SCREW	3	M8 X 40
19	M811055	SHAFT	2	IDLER GEAR
20	MIU800573	CAMSHAFT	1	BUSH, (SUB FOR M800977)
21	15H562	PIPE PLUG	1	1"
22	M806440	ENGINE CYLINDER HEAD GASKET	1	
23	AM882107	CYLINDER BLOCK	1	

**<https://www.ebooklibonline.com>**

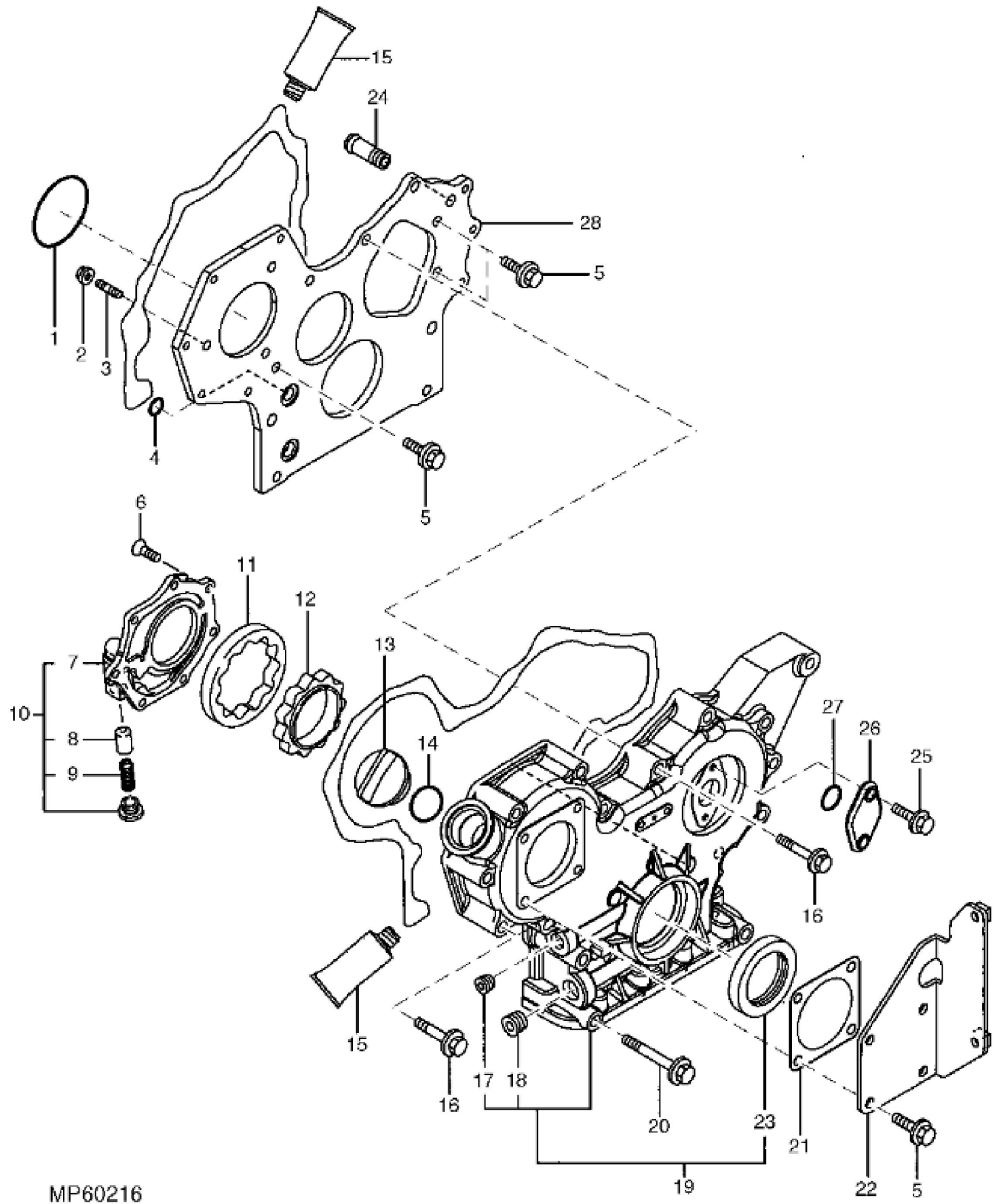
Hello dear friend!

Thank you very much for reading.

Enter the link into your browser.

The full manual is available for immediate download.

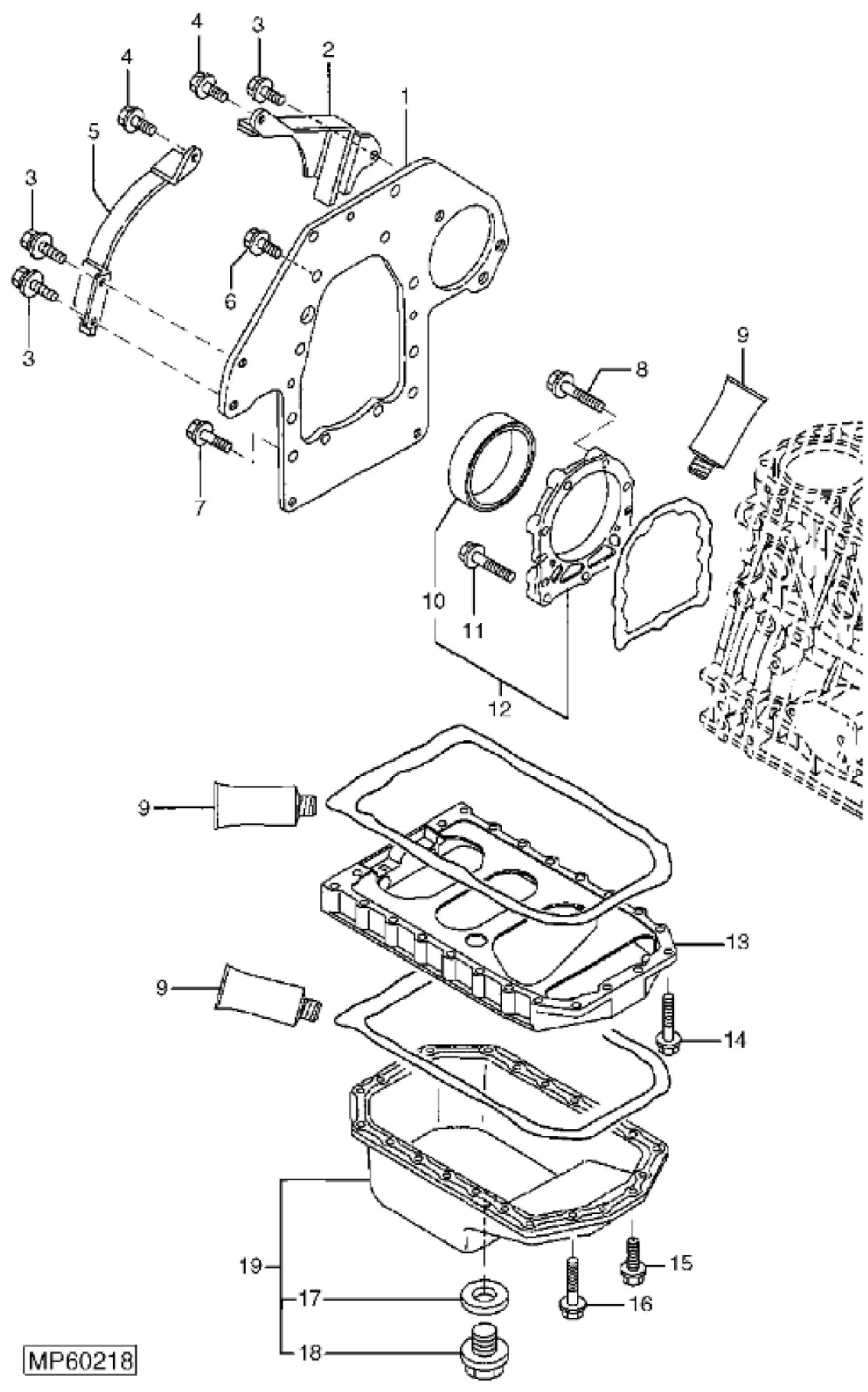
**<https://www.ebooklibonline.com>**



MP60216

John Deere > Turf And Utility > MOWER, FAIRWAY > 3235C - MOWER, FAIRWAY > 3235C Lightweight Fairway Mower (Worldwide Edition) > 21 ENGINE 3TNV84T TCA14029 > ST590583 - GEAR CASE AND OIL PUMP

KEY	PART NO.	PART NAME	QTY	REMARKS
1	CH16940	O-RING	1	
2	14M7298	FLANGE NUT	3	M8
3	.....	STUD	3	
4	M810185	O-RING	4	
5	19M7865	SCREW	7	M8 X 16
6	M811061	SCREW	7	
7	M811058	COVER	1	OIL PUMP (NLA)
8	M811140	PRESSURE RELIEF VALVE	1	(NLA)
9	RG60607	SPRING	1	
10	AM881828	COVER	1	OIL PUMP
11	M811060	ROTOR	1	OUTER
12	M811059	ROTOR	1	INNER
13	M805710	CAP	1	OIL
14	M805711	PACKING	1	
15	M64850	SEALANT	AR	
16	19M7979	SCREW	12	M8 X 55
17	M806938	PLUG	1	
18	.....	PLUG	1	
19	AM881791	GEAR CASE	1	
20	CH19136	BOLT	3	
21	M805696	GASKET	1	
22	M811421	BRACKET	1	
23	M811078	SEAL	1	
24	T110730	UNIVERSAL JOINT	1	
25	19M7775	SCREW	2	M6 X 16
26	M87874	COVER	1	
27	CH13526	PACKING	1	
28	M811452	FLANGE	1	GEAR CASE



MP60218



**Suggest:**

**For more complete manuals. Please go to the home page.**

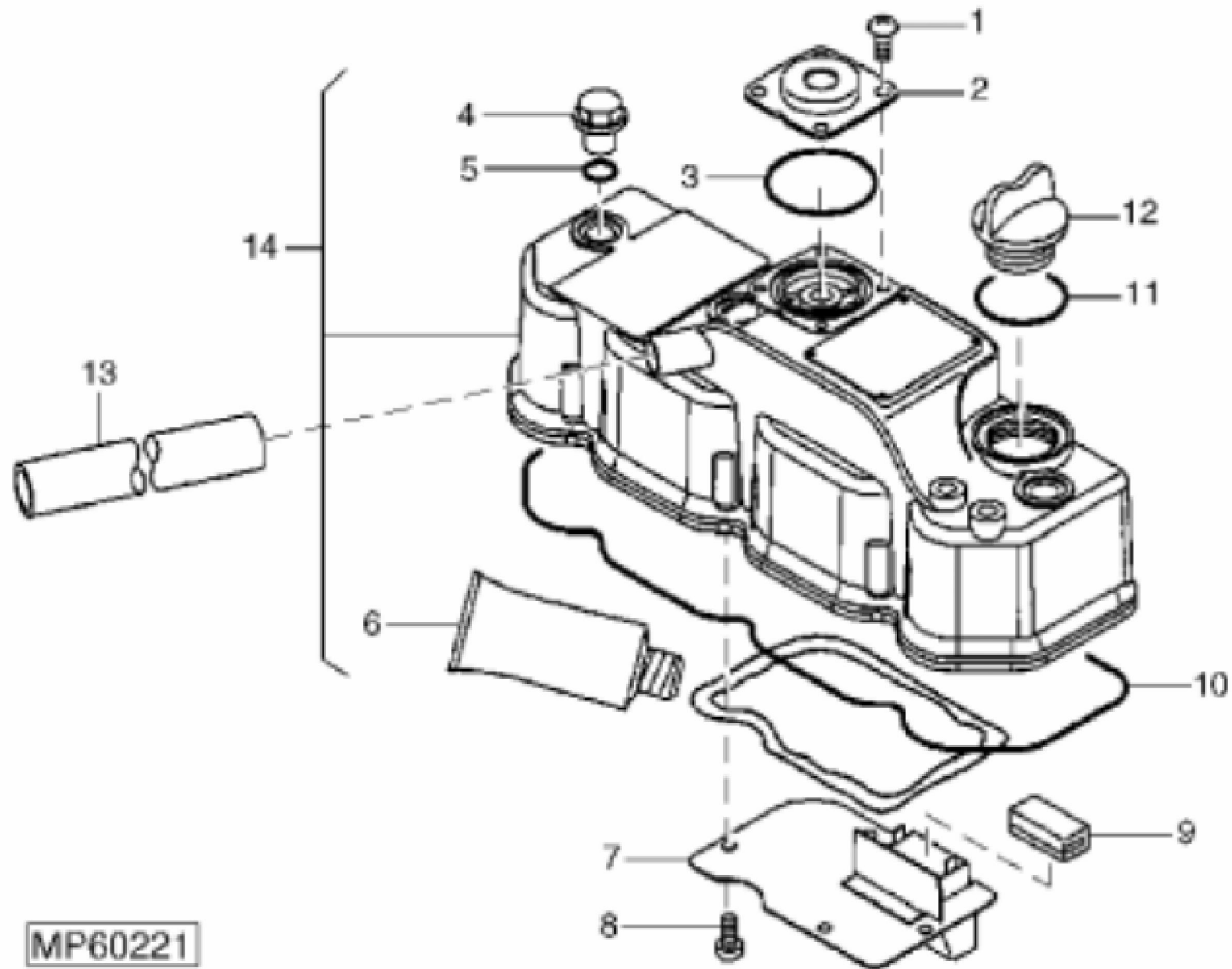
**<https://www.ebooklibonline.com>**

**If the above button click is invalid. Please download this document first, and then click the above link to download the complete manual.**

**Thank you so much for reading**

## FLANGE AND OIL PAN

KEY	PART NO.	PART NAME	QTY	REMARKS	
1	M800991	PLATE	1		
2	M805003	HOUSING	1	FLYWHEEL	
3	CH20044	BOLT	3		
4	19M7872	CAP SCREW	2	M12 X 25	
5	M805004	HOUSING	1		
6	M800011	BOLT	6		
7	19M7402	CAP SCREW	4	M10 X 25	
8	M808308	BOLT	6		
9	M64850	SEALANT	AR		
10	M805278	SEAL	1		
11	19M7897	SCREW	3	M8 X 35	
12	AM875375	CASE	1	OIL SEAL	
13	M801735	RESERVOIR	1	INTERMEDIATE	
14	19M7865	SCREW	4	M8 X 16	
15	19M7867	SCREW	2	M8 X 25	
16	CH19101	BOLT	20		
17	M806545	WASHER	1		
18	M800994	DRAIN PLUG	1		
19	AM878538	OIL PAN	1		



MP60221

**<https://www.ebooklibonline.com>**

Hello dear friend!

Thank you very much for reading.

Enter the link into your browser.

The full manual is available for immediate download.

**<https://www.ebooklibonline.com>**