

KEY	PART NO.	PART NAME	QTY	REMARKS	
1	CH10348	NUT	3		
2	CH10568	PACKING	3		
3	M801741	PACKING	1		
4	M801032	DEFLECTOR	1		
5	M805710	CAP	1		
6	M805711	PACKING	1		
7	19M7865	SCREW	2	M8 X 16	
8	M801031	CAP	1	BREATHER	
9	M801033	PLATE	1		
10	M801034	O-RING	1		
11	AT110858	VALVE COVER	1	NLA	
12	ET14229	PIPE	1		
13	ET14230	HOSE CLAMP	1		
14	CH10061	RIVET	4		

<https://www.ebooklibonline.com>

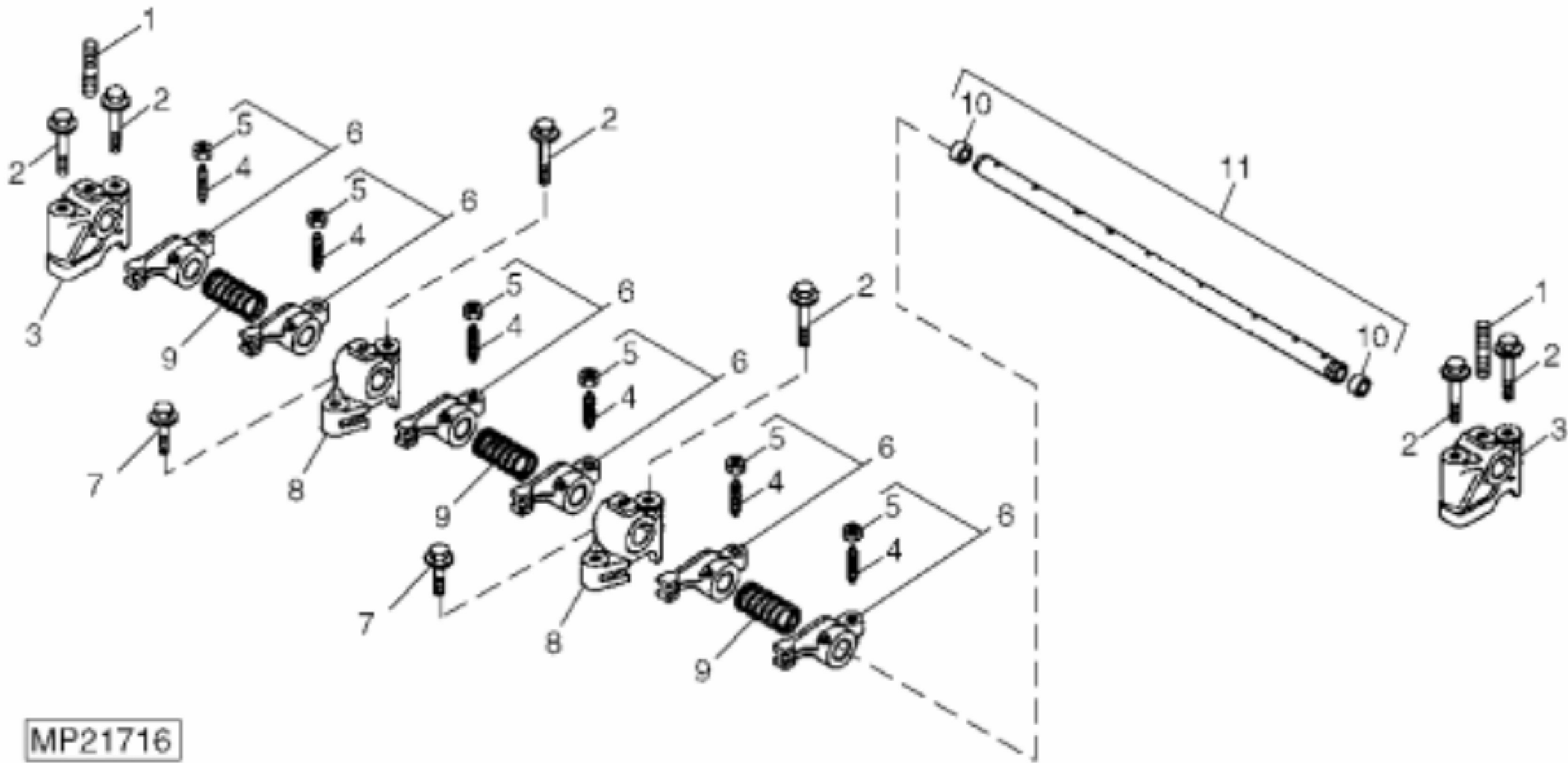
Hello dear friend!

Thank you very much for reading.

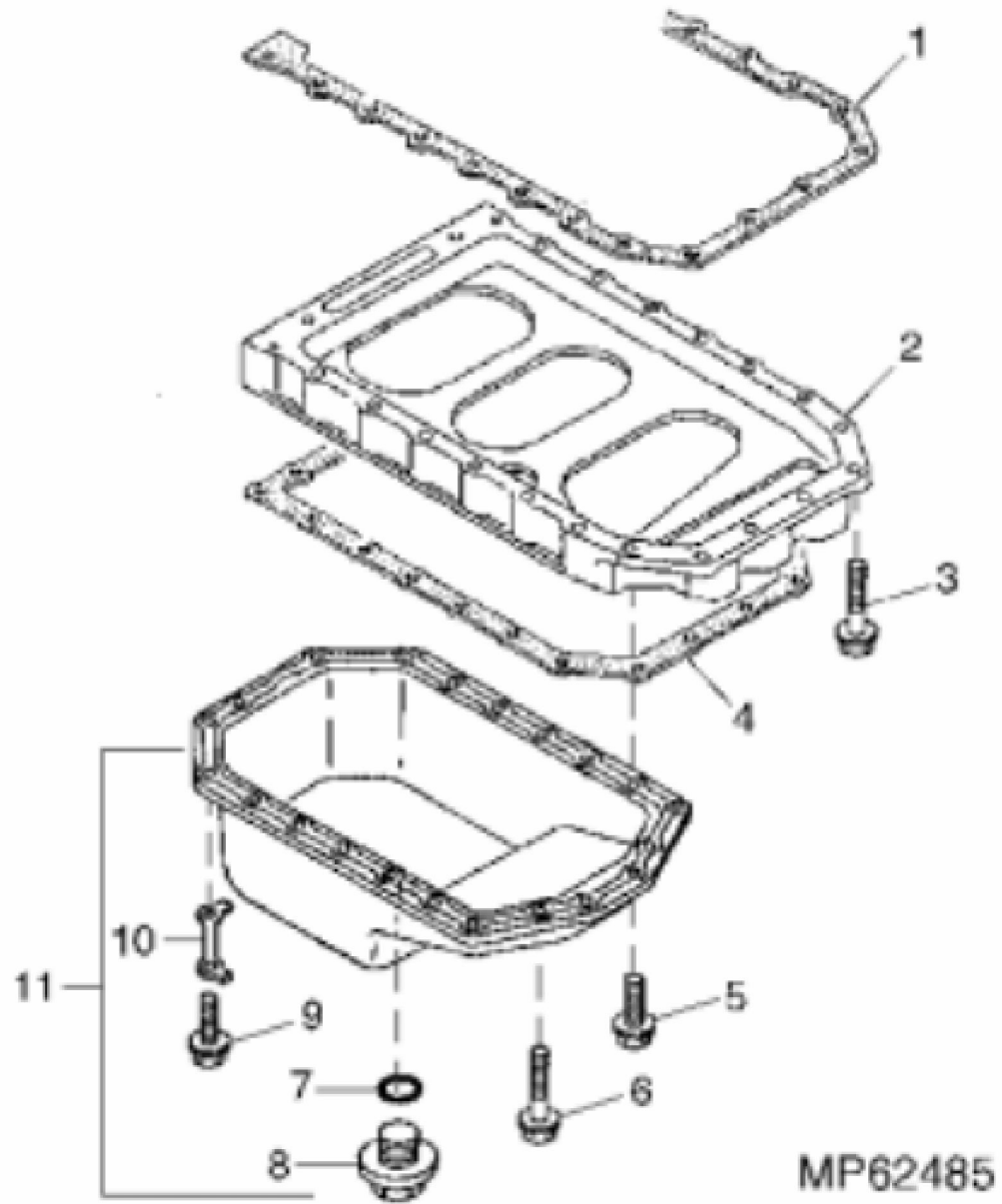
Enter the link into your browser.

The full manual is available for immediate download.

<https://www.ebooklibonline.com>



KEY	PART NO.	PART NAME	QTY	REMARKS	
1	M801024	STUD	3		
2	19M7800	SCREW	6	M8 X 50	
3	M801022	SUPPORT	2		
4	M801027	SCREW	6		
5	M801028	NUT	6		
6	AM875383	ARM	6		
7	19M7867	SCREW	2	M8 X 25	
8	M801023	SUPPORT	2		
9	M801025	SPRING	3		
10	M800002	PLUG	2		
11	AM875534	SHAFT	1		



MP62485



Suggest:

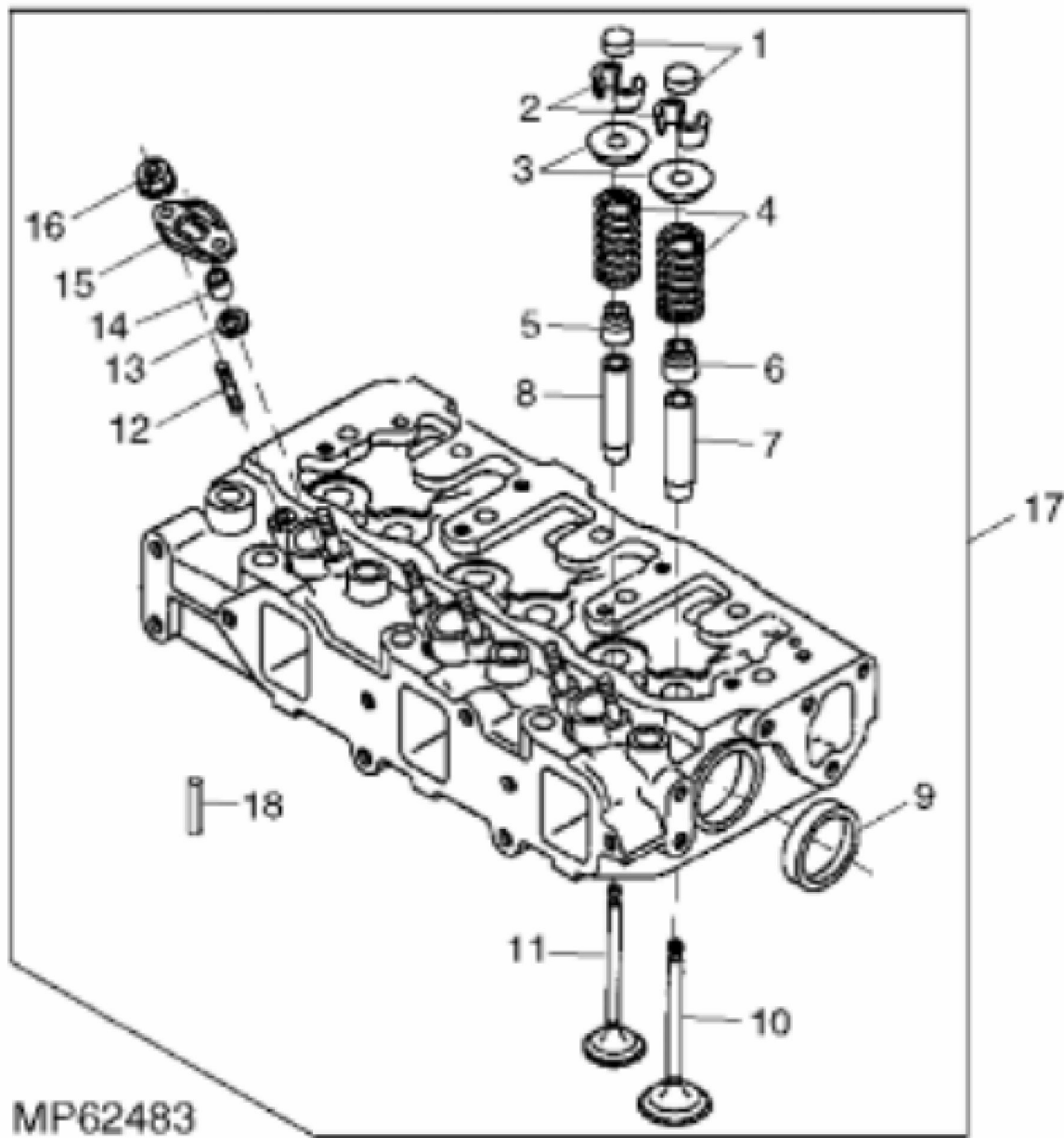
For more complete manuals. Please go to the home page.

<https://www.ebooklibonline.com>

If the above button click is invalid. Please download this document first, and then click the above link to download the complete manual.

Thank you so much for reading

KEY	PART NO.	PART NAME	QTY	REMARKS	
1	GASKET	1		
2	M801735	INTERMEDIATE HOUSING	1		
3	19M7865	SCREW	4	M8 X 16	
4	GASKET	1		
5	19M7867	SCREW	2	M8 X 25	
6	19M7800	SCREW	4	M8 X 50	
7	CH13526	PACKING	1		
8	M800994	DRAIN PLUG	1		
9	CH19101	BOLT	16		
10	M801206	PLATE	2		
11	AM878538	OIL PAN	1		



<https://www.ebooklibonline.com>

Hello dear friend!

Thank you very much for reading.

Enter the link into your browser.

The full manual is available for immediate download.

<https://www.ebooklibonline.com>