

MP21714

John Deere > Turf And Utility > MOWER, TURF SYSTEM > 3215B - MOWER, TURF SYSTEM > 3215B Lightweight Fairway Mowers (Worldwide Edition) > 21 ENGINE AM131386 > ST575255 - CYLINDER HEAD COVER AND GASKETS

KEY	PART NO.	PART NAME	QTY	REMARKS
1	CH10348	NUT	3	
2	CH10568	PACKING	3	
3	M801036	O-RING	1	
4	M801032	DEFLECTOR	1	
5	M805710	CAP	1	
6	M805711	PACKING	1	
7	19M7865	SCREW	2	M8 X 16
8	M801031	CAP	1	BREATHER
9	M801033	PLATE	1	
10	M801034	O-RING	1	
11	AM875312	VALVE COVER	1	NLA
12	M804268	HOSE	AR	
13	R72853	CLAMP	1	3TNE78A ENGINES
13	ET14230	HOSE CLAMP	1	3TNE82A ENGINES
14	CH10061	RIVET	4	

**<https://www.ebooklibonline.com>**

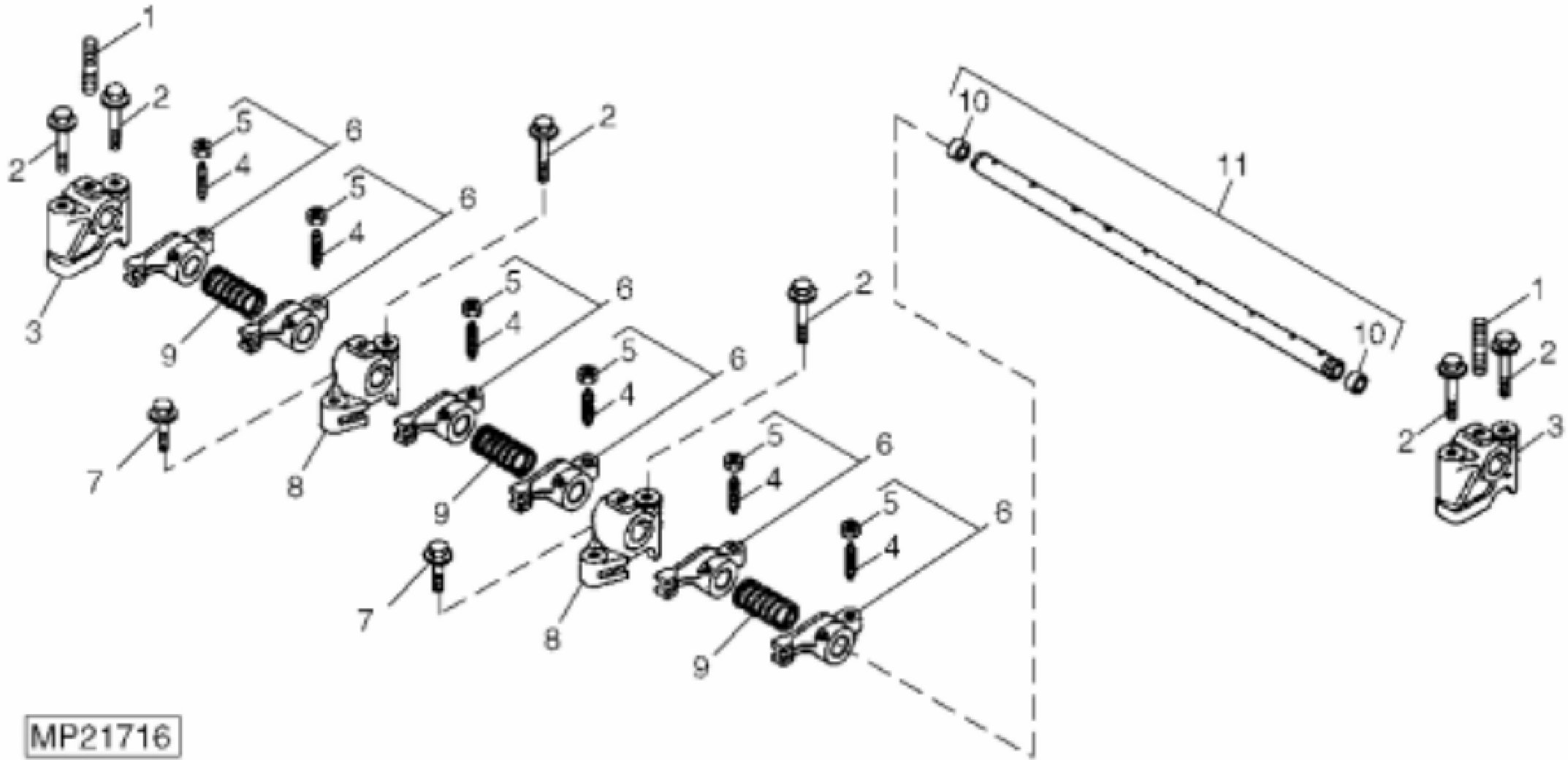
Hello dear friend!

Thank you very much for reading.

Enter the link into your browser.

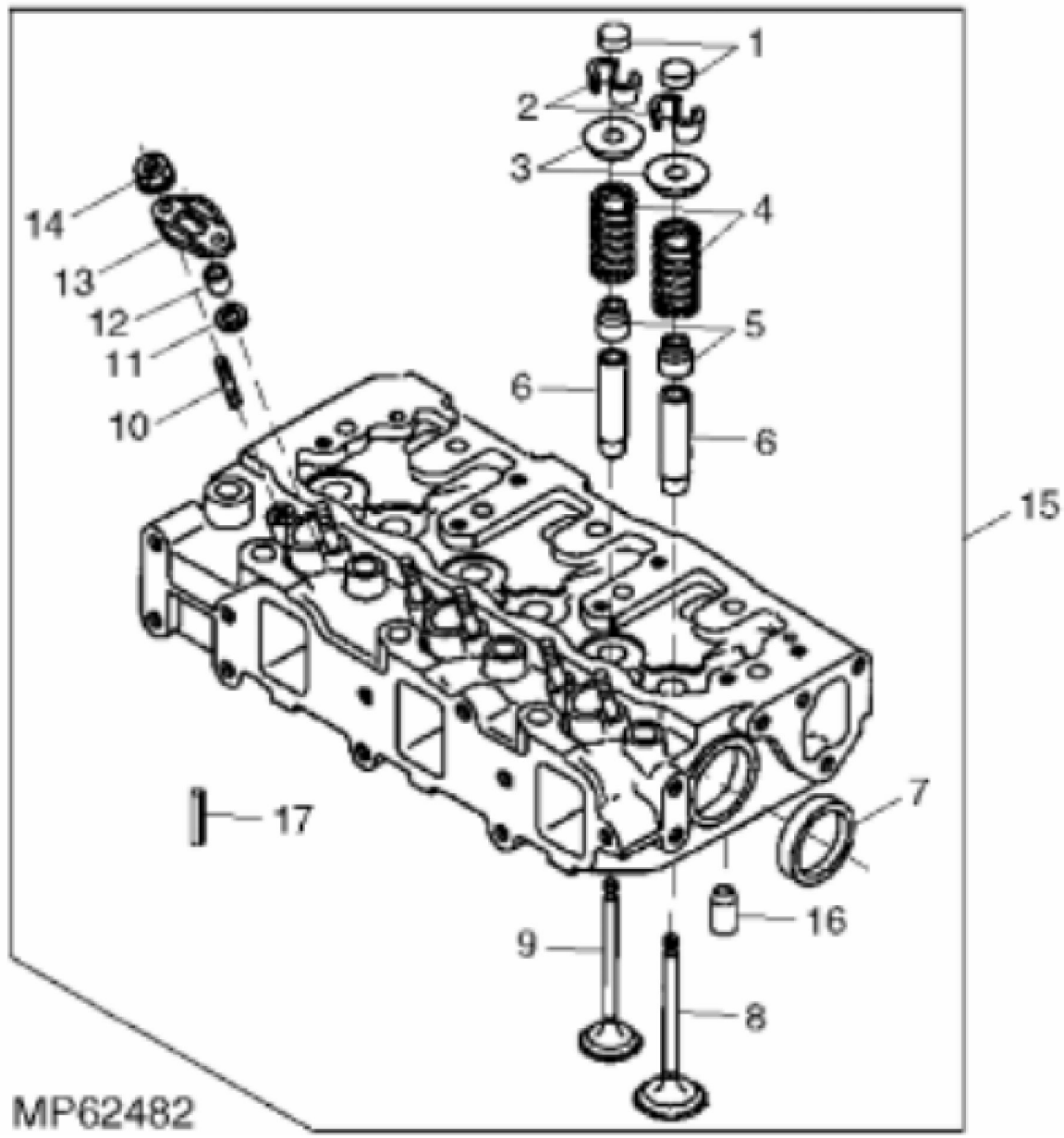
The full manual is available for immediate download.

**<https://www.ebooklibonline.com>**



MP21716

KEY	PART NO.	PART NAME	QTY	REMARKS	
1	M801024	STUD	3		
2	19M7800	SCREW	6	M8 X 50	
3	M801022	SUPPORT	2		
4	M801027	SCREW	6		
5	M801028	NUT	6		
6	AM875311	ARM	6		
7	19M7867	SCREW	2	M8 X 25	
8	M801023	SUPPORT	2		
9	M801025	SPRING	3		
10	M800002	PLUG	2		
11	AM875310	SHAFT	1		



MP62482



**Suggest:**

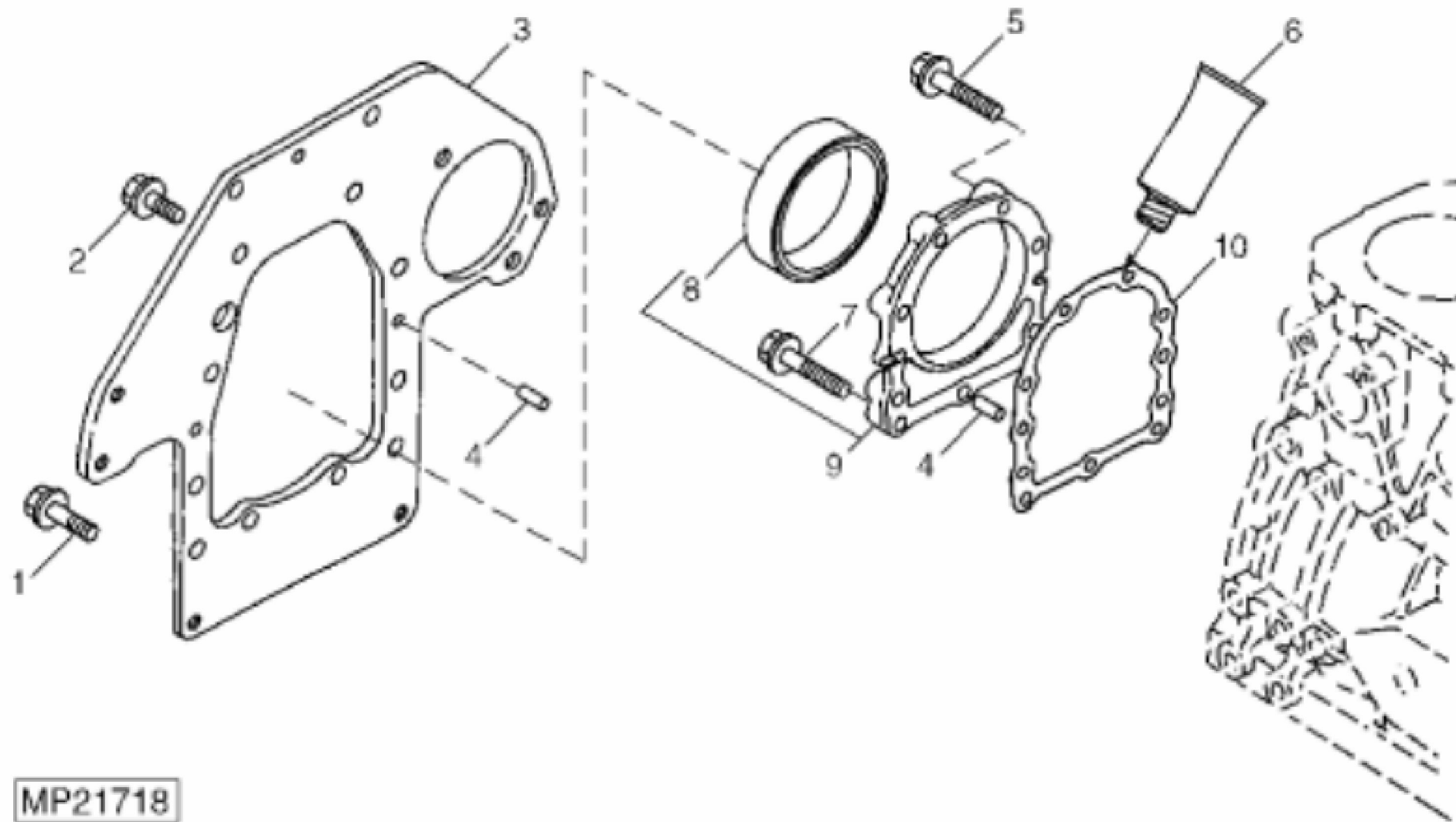
**For more complete manuals. Please go to the home page.**

**<https://www.ebooklibonline.com>**

**If the above button click is invalid. Please download this document first, and then click the above link to download the complete manual.**

**Thank you so much for reading**

KEY	PART NO.	PART NAME	QTY	REMARKS	
1	CH12585	CAP	6		
2	AM100828	RETAINER KIT	6	(PKG. OF 2 SIDES), VALVE RETAINER	
3	M801015	RETAINER	6		
4	M801014	SPRING	6		
5	CH10346	SEAL	6		
6	CH16041	GUIDE	6	(SUB FOR CH15418)	
7	CH16751	PLUG	2		
8	M801012	INTAKE VALVE	3		
9	RG60149	EXHAUST VALVE	3		
10	M801011	BOLT	6		
11	M801017	VALVE SEAT	3		
12	M801016	SEAL	3	HEAT PROTECTOR, (SUB FOR M806732 OR M810460)	
13	M801018	RETAINER	3		
14	14M7303	FLANGE NUT	6	M6	
15	AM878523	CYLINDER HEAD	1		
16	M801008	PLUG	3	3TNE78A ENGINES	
17	CH18079	SPRING PIN	2		



MP21718

**<https://www.ebooklibonline.com>**

Hello dear friend!

Thank you very much for reading.

Enter the link into your browser.

The full manual is available for immediate download.

**<https://www.ebooklibonline.com>**