

MP21714

KEY	PART NO.	PART NAME	QTY	REMARKS	
1	CH10348	NUT	3		
2	CH10568	PACKING	3		
3	M801036	O-RING	1		
4	M801032	DEFLECTOR	1		
5	M805710	CAP	1		
6	M805711	PACKING	1		
7	19M7865	SCREW	2	M8 X 16	
8	M801031	CAP	1	BREATHER	
9	M801033	PLATE	1		
10	M801034	O-RING	1		
11	AM875312	VALVE COVER	1	NLA	
12	M804268	HOSE	AR		
13	R72853	CLAMP	1	3TNE78A ENGINES	
13	ET14230	HOSE CLAMP	1	3TNE82A ENGINES	
14	CH10061	RIVET	4		

<https://www.ebooklibonline.com>

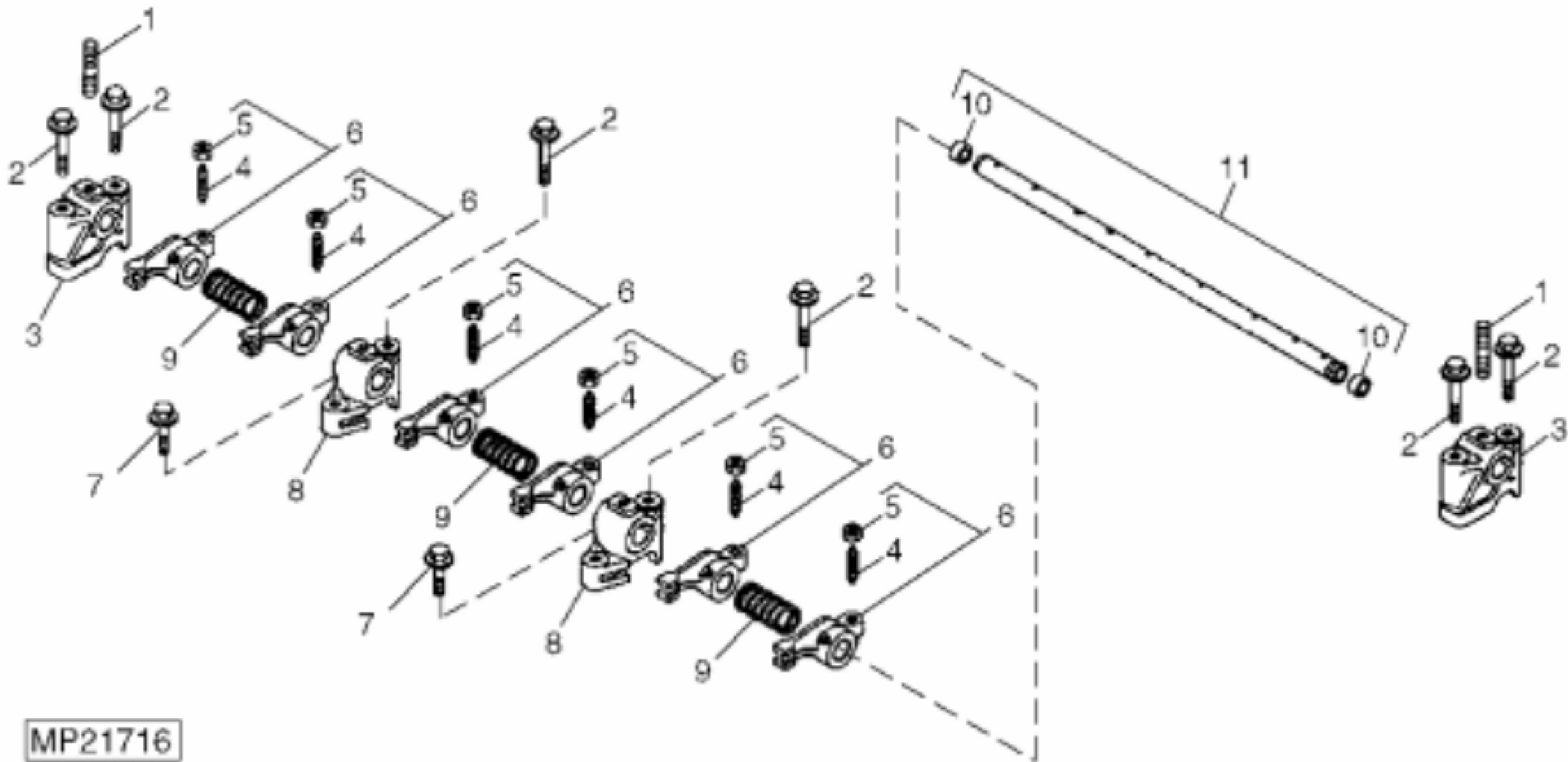
Hello dear friend!

Thank you very much for reading.

Enter the link into your browser.

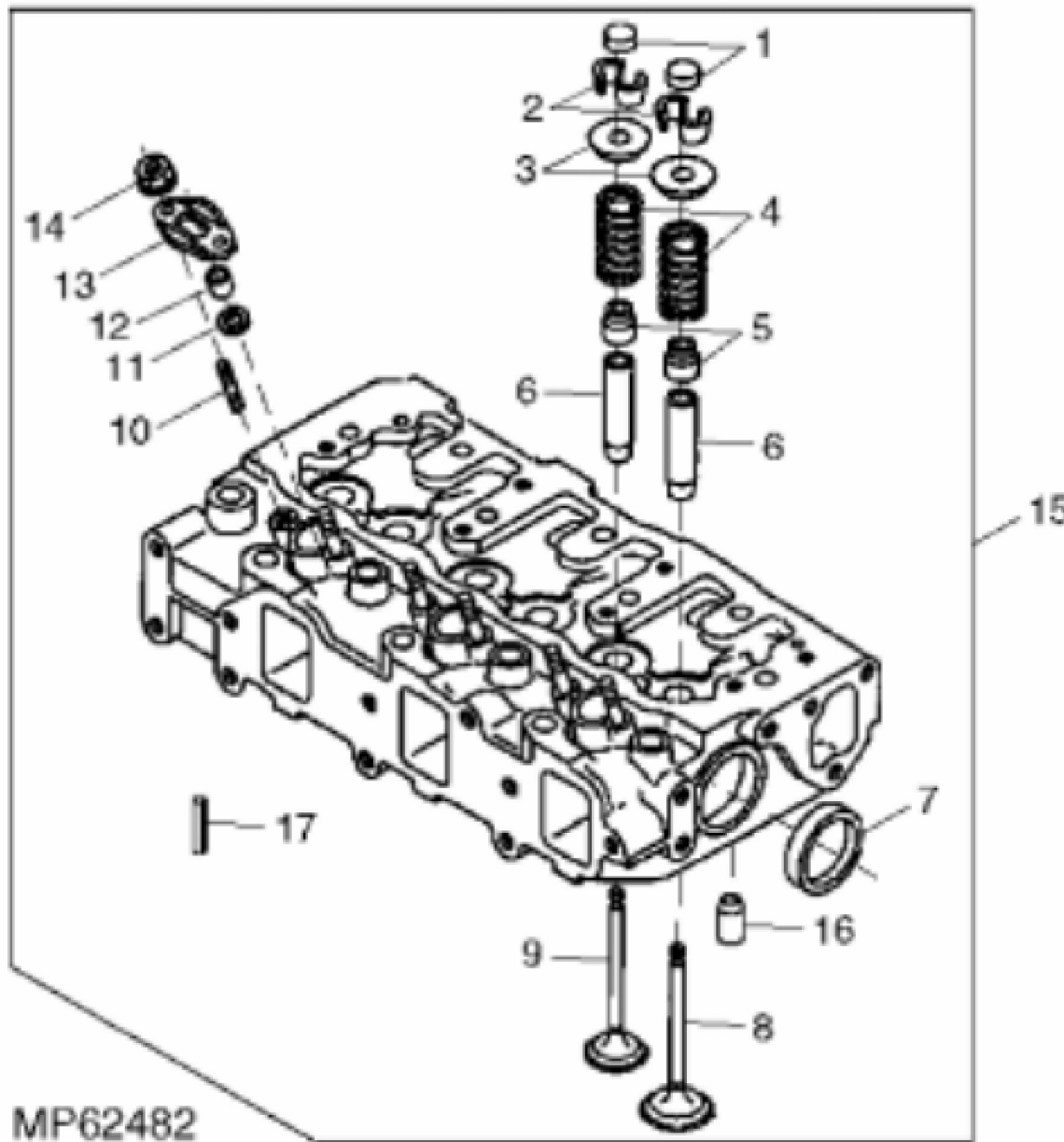
The full manual is available for immediate download.

<https://www.ebooklibonline.com>



MP21716

KEY	PART NO.	PART NAME	QTY	REMARKS	
1	M801024	STUD	3		
2	19M7800	SCREW	6	M8 X 50	
3	M801022	SUPPORT	2		
4	M801027	SCREW	6		
5	M801028	NUT	6		
6	AM875311	ARM	6		
7	19M7867	SCREW	2	M8 X 25	
8	M801023	SUPPORT	2		
9	M801025	SPRING	3		
10	M800002	PLUG	2		
11	AM875310	SHAFT	1		



MP62482



Suggest:

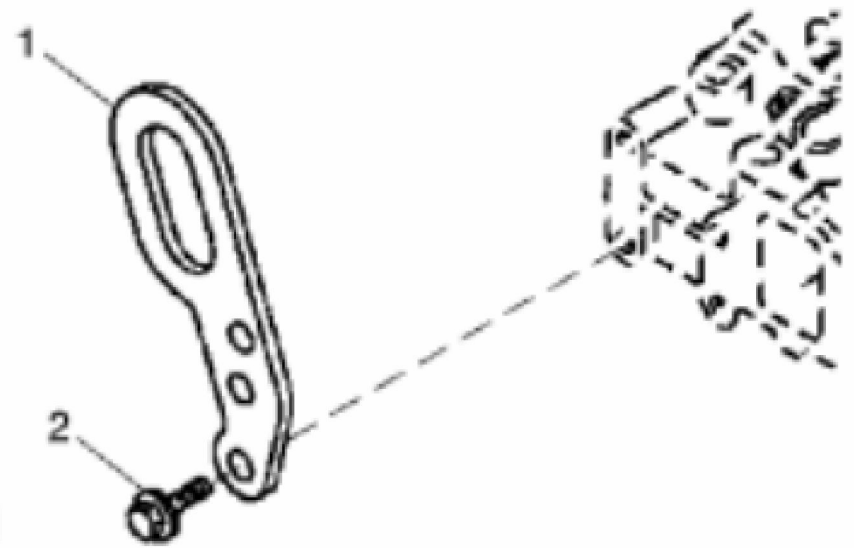
For more complete manuals. Please go to the home page.

<https://www.ebooklibonline.com>

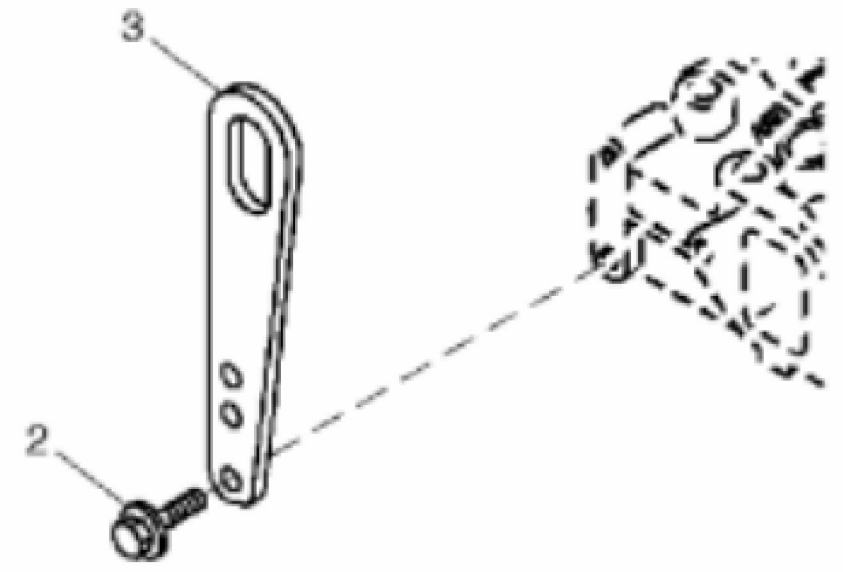
If the above button click is invalid. Please download this document first, and then click the above link to download the complete manual.

Thank you so much for reading

KEY	PART NO.	PART NAME	QTY	REMARKS	
1	CH12585	CAP	6		
2	AM100828	RETAINER KIT	6	(PKG. OF 2 SIDES), VALVE RETAINER	
3	M801015	RETAINER	6		
4	M801014	SPRING	6		
5	CH10346	SEAL	6		
6	CH16041	GUIDE	6	(SUB FOR CH15418)	
7	CH16751	PLUG	2		
8	M801012	INTAKE VALVE	3		
9	RG60149	EXHAUST VALVE	3		
10	M801011	BOLT	6		
11	M801017	VALVE SEAT	3		
12	M801016	SEAL	3	HEAT PROTECTOR, (SUB FOR M806732 OR M810460)	
13	M801018	RETAINER	3		
14	14M7303	FLANGE NUT	6	M6	
15	AM878523	CYLINDER HEAD	1		
16	M801008	PLUG	3		
17	CH18079	SPRING PIN	2		



MP62481



<https://www.ebooklibonline.com>

Hello dear friend!

Thank you very much for reading.

Enter the link into your browser.

The full manual is available for immediate download.

<https://www.ebooklibonline.com>