

MP21714

John Deere > Turf And Utility >MOWER, TURF SYSTEM >3215 - MOWER, TURF SYSTEM >3215 and 3235 Lightweight Fairway Turf System Mowers (Worldwide Edition) >21 ENGINES >ST594888 - CYLINDER HEAD COVER AND GASKETS

KEY	PART NO.	PART NAME	QTY	REMARKS
1	CH10348	NUT	3	
2	CH10568	PACKING	3	
3	M801036	O-RING	1	3TNE78A/82A ENGINES
3	M801741	PACKING	1	3TNE84A ENGINES
4	M801032	DEFLECTOR	1	
5	M805710	CAP	1	
6	M805711	PACKING	1	
7	19M7865	SCREW	2	M8 X 16
8	M801031	CAP	1	BREATHER
9	M801033	PLATE	1	
10	M801034	O-RING	1	
11	AM875312	VALVE COVER	1	3TNE78A/82A ENGINES
11	AT110858	VALVE COVER	1	(NLA) 3TNE84A ENGINES
12	M804268	HOSE	AR	3TNE78A/82A ENGINES
12	ET14229	PIPE	1	3TNE84A ENGINES
13	R72853	CLAMP	1	3TNE78A ENGINES
13	ET14230	HOSE CLAMP	1	3TNE82A/84A ENGINES
14	CH10061	RIVET	4	

<https://www.ebooklibonline.com>

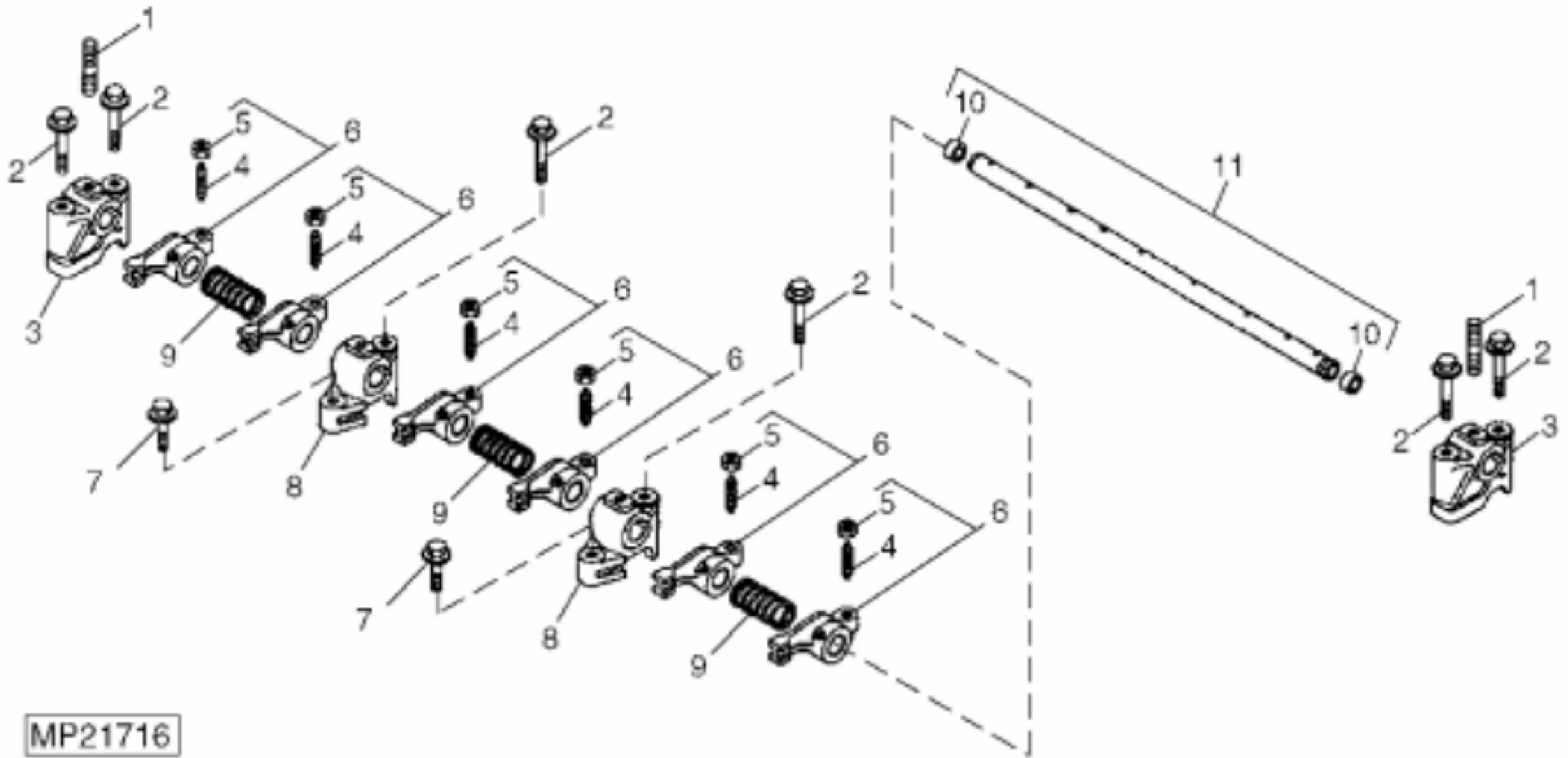
Hello dear friend!

Thank you very much for reading.

Enter the link into your browser.

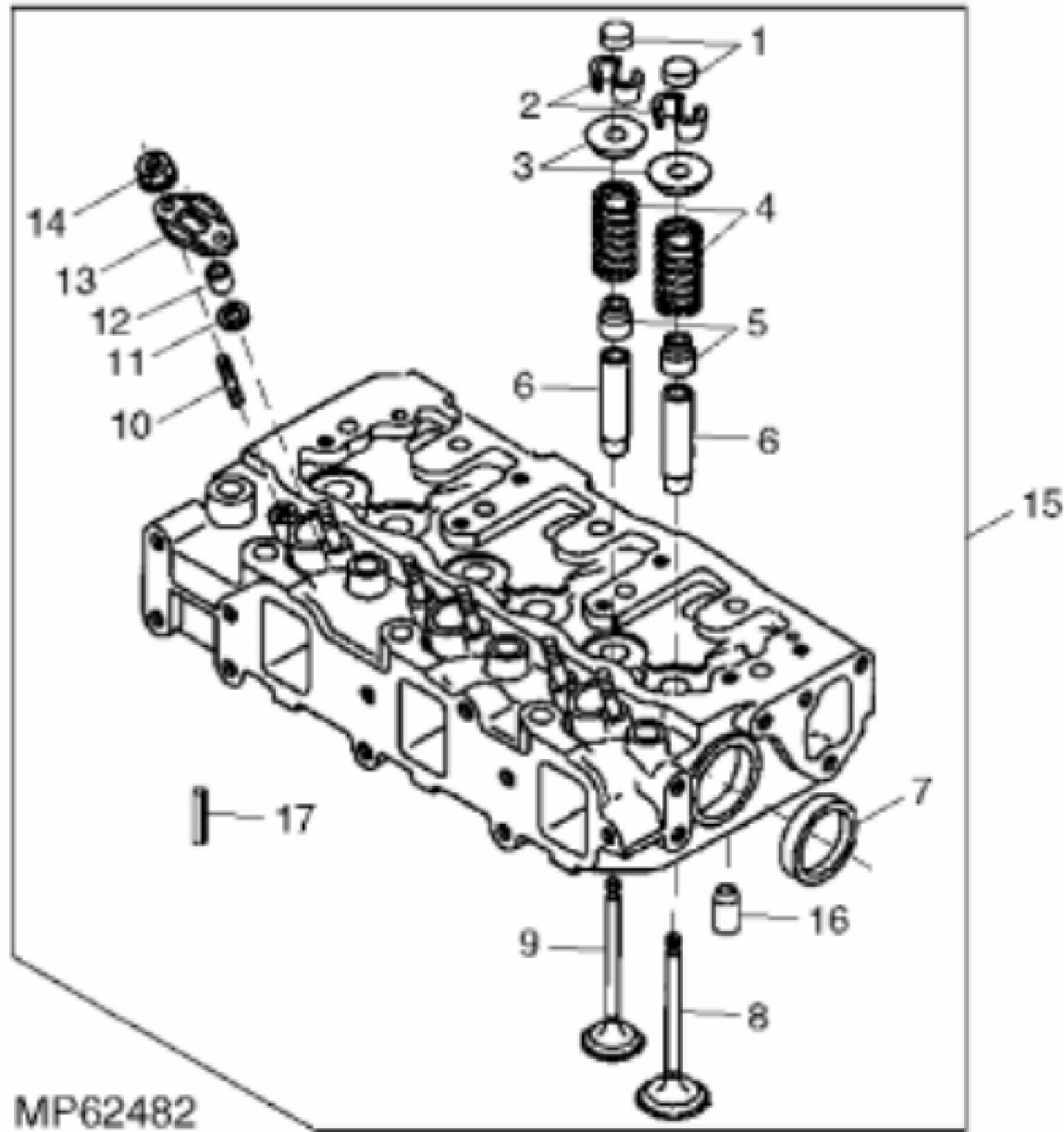
The full manual is available for immediate download.

<https://www.ebooklibonline.com>



ROCKER ARMS

KEY	PART NO.	PART NAME	QTY	REMARKS	
1	M801024	STUD	3		
2	19M7800	SCREW	6	M8 X 50	
3	M801022	SUPPORT	2		
4	M801027	SCREW	6		
5	M801028	NUT	6		
6	AM875311	ARM	6	3TNE78A/82A ENGINES	
6	AM875383	ARM	6	3TNE84A ENGINES	
7	19M7867	SCREW	2	M8 X 25	
8	M801023	SUPPORT	2		
9	M801025	SPRING	3		
10	M800002	PLUG	2		
11	AM875310	SHAFT	1	3TNE78A/82A ENGINES	
11	AM875534	SHAFT	1	3TNE84A ENGINES	



MP62482





Suggest:

For more complete manuals. Please go to the home page.

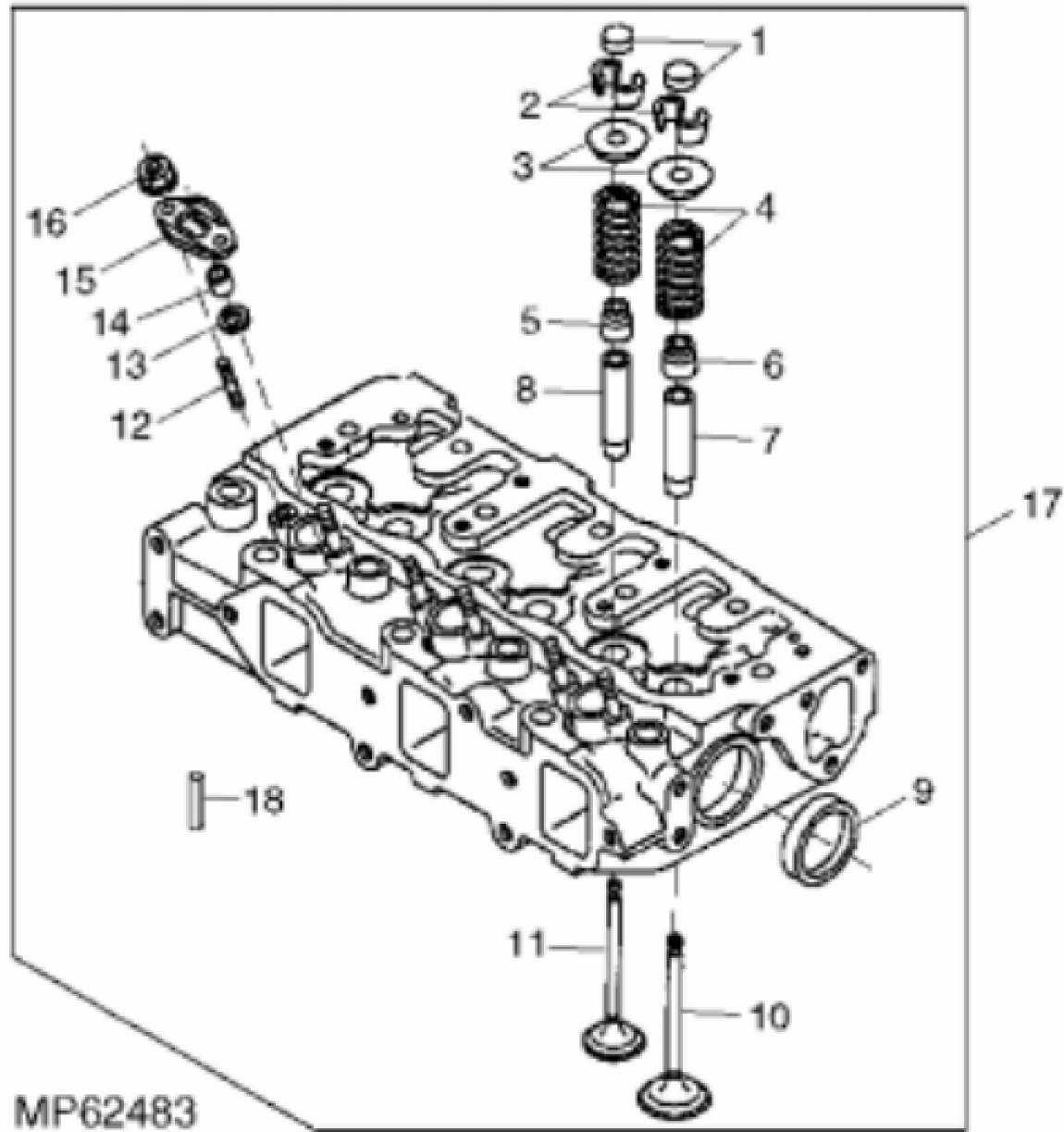
<https://www.ebooklibonline.com>

If the above button click is invalid. Please download this document first, and then click the above link to download the complete manual.

Thank you so much for reading

John Deere > Turf And Utility > MOWER, TURF SYSTEM > 3215 - MOWER, TURF SYSTEM > 3215 and 3235 Lightweight Fairway Turf System Mowers (Worldwide Edition) > 21 ENGINES > ST594890 - CYLINDER HEAD (3TNE78A/82A ENGINES)

KEY	PART NO.	PART NAME	QTY	REMARKS
1	CH12585	CAP	6	
2	AM100828	RETAINER KIT	6	(PKG. OF 2 SIDES), VALVE RETAINER
3	M801015	RETAINER	6	
4	M801014	SPRING	6	
5	CH10346	SEAL	6	
6	CH16041	GUIDE	6	(SUB FOR CH15418)
7	CH16751	PLUG	2	
8	M801012	INTAKE VALVE	3	
9	RG60149	EXHAUST VALVE	3	
10	M801011	BOLT	6	
11	M801017	VALVE SEAT	3	
12	M801016	SEAL	3	HEAT PROTECTOR, (SUB FOR M806732 OR M810460)
13	M801018	RETAINER	3	
14	14M7303	FLANGE NUT	6	M6
15	AM878523	CYLINDER HEAD	1	
16	M801008	PLUG	3	3TNE78A ENGINES
17	CH18079	SPRING PIN	2	



<https://www.ebooklibonline.com>

Hello dear friend!

Thank you very much for reading.

Enter the link into your browser.

The full manual is available for immediate download.

<https://www.ebooklibonline.com>