

KEY	PART NO.	PART NAME	QTY	REMARKS
1	M801186	BOLT	14	
2	M806440	ENGINE CYLINDER HEAD GASKET	1	
3	AM882097	CYLINDER BLOCK	1	
4	30M7023	PLUG	6	
5	15H562	PIPE PLUG	1	1"
6	MIU800573	BUSHING	1	CAMSHAFT (SUB FOR M800977)
7	M811055	SHAFT	1	IDLE GEAR
8	19M8317	BOLT	3	
9	M87801	PLUG	2	
10	M800974	PIPE	2	KNOCK, L=18 FOR GEARCASE
11	MIA880554	BEARING	4	MAIN (STD) (SUB FOR AM881821)
11	MIA880550	BEARING	4	(.25 MM (.010")), MAIN, US (SUB FOR AM875374)
12	BEARING CAP	3	MAIN BEARING
13	M801189	BOLT	8	
14	BEARING CAP	1	MAIN BEARING
15	MIA880555	THRUST WASHER	2	BEARING ASSY (SUB FOR AM875373)
16	CH10335	PLUG	3	
17	CH10314	PLUG	1	
18	M802255	PIN	4	
19	PLUG	1	
20	CH18079	SPRING PIN	2	
21	M811084	SPACER	1	
..	AM133331	ENGINE	1	(MARKED 3TNV84-MJT) (SUB AM882100)
..	MIA882681	SHORT BLOCK ASSEMBLY	1	SUB FOR AM882100

<https://www.ebooklibonline.com>

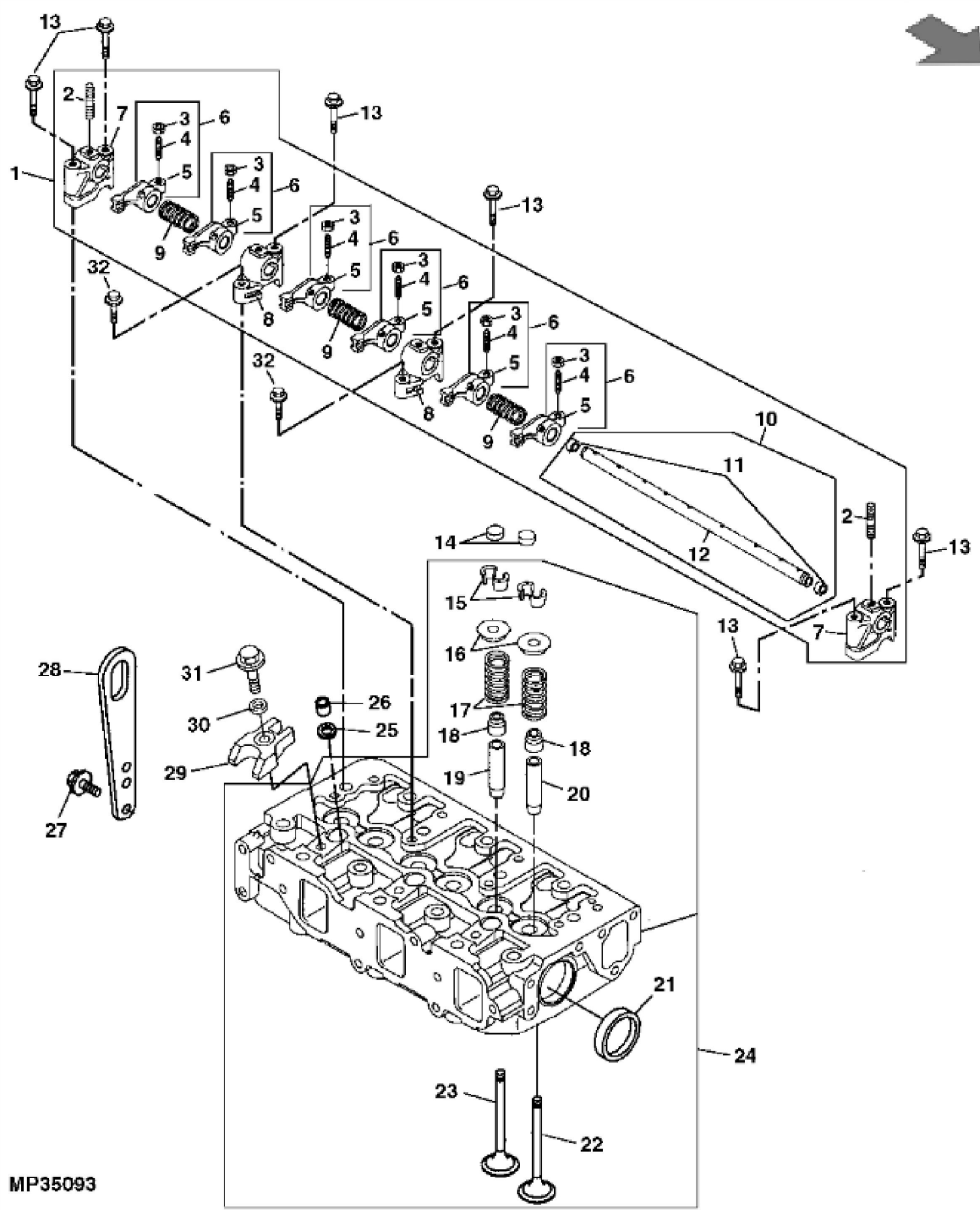
Hello dear friend!

Thank you very much for reading.

Enter the link into your browser.

The full manual is available for immediate download.

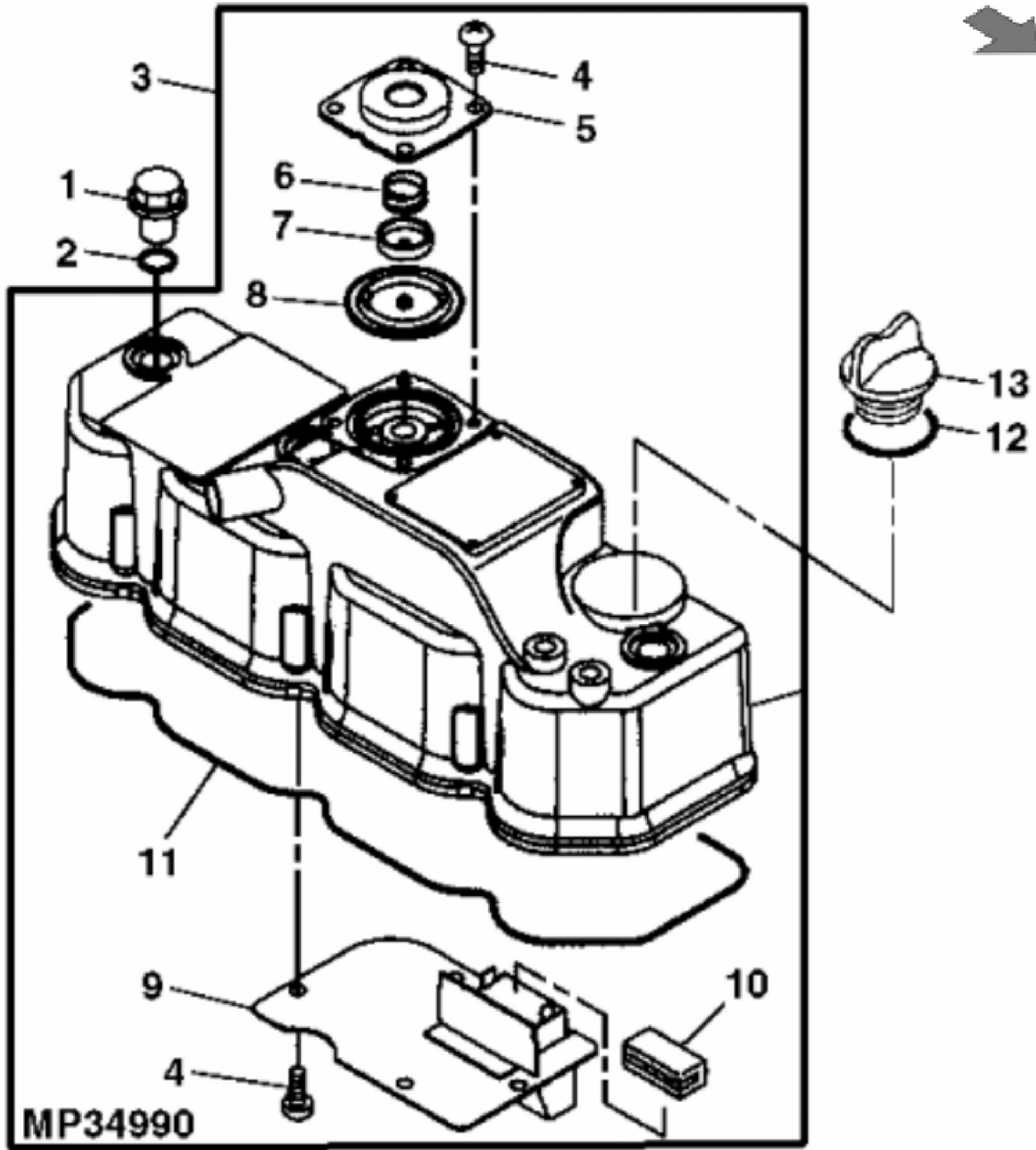
<https://www.ebooklibonline.com>



MP35093

ARMS

KEY	PART NO.	PART NAME	QTY	REMARKS
1	AM882086	KIT	1	ROCKER SHAFT
2	STUD	2	
3	M801028	NUT	6	
4	M801027	STUD	6	ADJUST
5	ROCKER ARM	6	
6	AM881820	ARM	6	
7	M811050	SUPPORT	2	ROCKER ARM
8	M811051	SUPPORT	2	ROCKER ARM
9	M801025	SPRING	3	
10	M811426	ROCKER ARM SHAFT	1	
11	PLUG	2	
12	SHAFT	1	
13	19M7800	BOLT	6	
14	M801224	CAP	6	
15	AM878862	RETAINER KIT	6	(2 PER PKG) , VALVE RETAINER
16	M801223	RETAINER	6	SPRING
17	M801222	SPRING	6	VALVE
18	CH10450	SEAL	3	INTAKE
18	T110650	SEAL	3	EXHAUST
19	M801228	GUIDE	3	EXHAUST
20	M801227	GUIDE	3	INTAKE
21	CH16751	PLUG	2	
22	MIU800446	INTAKE VALVE	3	(SUB FOR M811086 OR M811797)
23	MIU800494	EXHAUST VALVE	3	(SUB FOR M801221 OR M811796)
24	AM882088	CYLINDER HEAD	1	
25	M801017	VALVE SEAT	3	
26	M811052	GUARD	3	NOZZLE
27	CH19780	BOLT	4	M8 X 14
28	AT211695	LIFT ARM	2	
29	M811088	RETAINER	3	
30	M811080	WASHER	3	
31	19M7897	BOLT	3	
32	19M7867	BOLT	2	





Suggest:

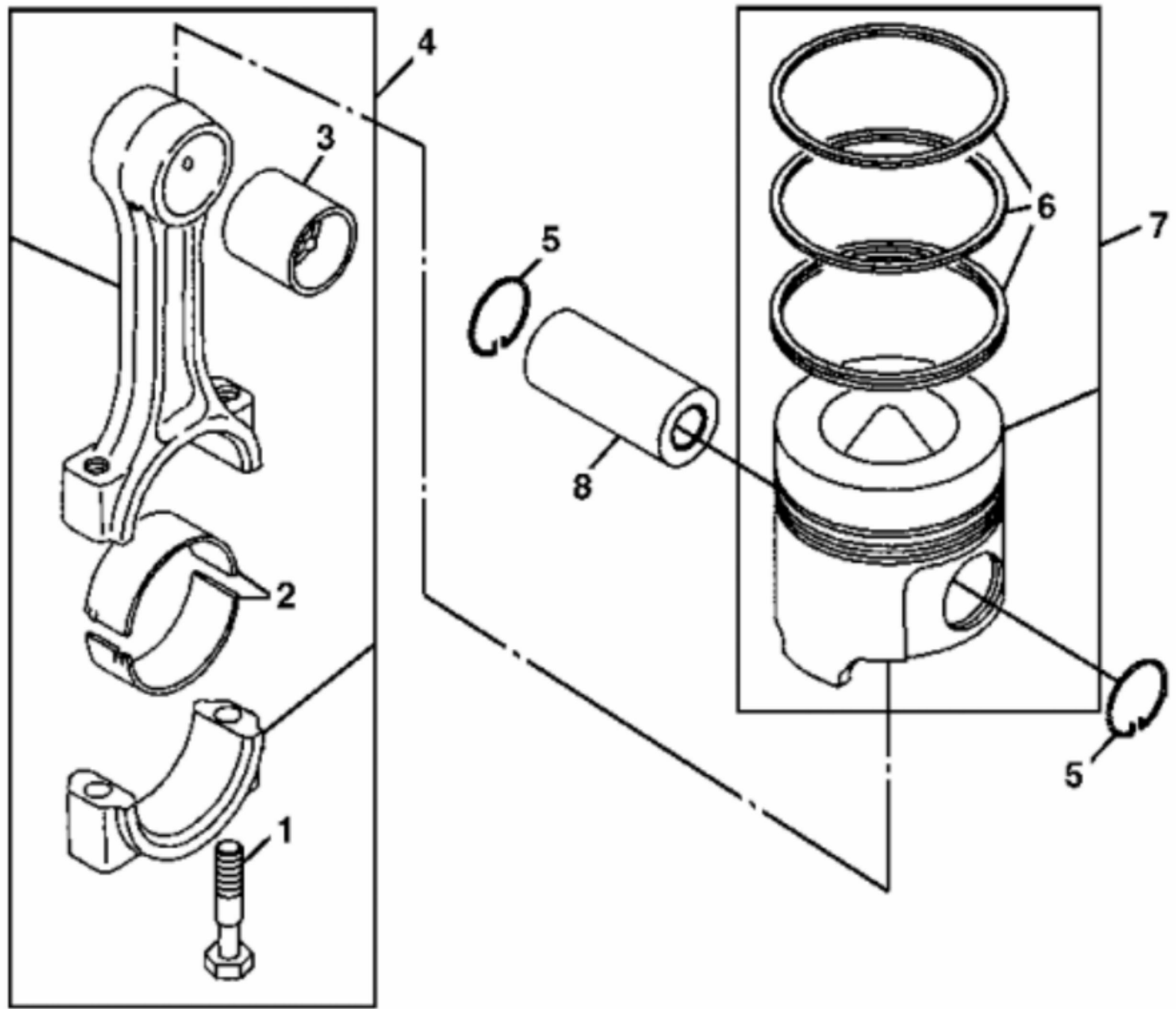
For more complete manuals. Please go to the home page.

<https://www.ebooklibonline.com>

If the above button click is invalid. Please download this document first, and then click the above link to download the complete manual.

Thank you so much for reading

KEY	PART NO.	PART NAME	QTY	REMARKS	
1	CH10348	PLUG	3		
2	CH10568	O-RING	3	PACKING	
3	AM882087	COVER	1		
4	M807374	SCREW	8		
5	M811649	COVER	1	BREATHER (SUB FOR M811047)	
6	M811650	SPRING	1	(SUB FOR M811049)	
7	M811046	PLATE	1		
8	M811048	DIAPHRAGM	1		
9	M811085	PLATE	1		
10	M801032	DEFLECTOR	1		
11	M811429	GASKET	1		
12	M805711	O-RING	1	PACKING P32	
13	M805710	CAP	1	OIL FILL	



MP18666

<https://www.ebooklibonline.com>

Hello dear friend!

Thank you very much for reading.

Enter the link into your browser.

The full manual is available for immediate download.

<https://www.ebooklibonline.com>