

KEY	PART NO.	PART NAME	QTY	Serial No.	REMARKS
1	M801186	BOLT	14		
2	M806811	ENGINE CYLINDER HEAD GASKET	1	____-610000	
2	MIA882831	GASKET KIT	1	610001-____	
3	MIA880878	CYLINDER BLOCK	1	____-610000	
3	MIA882931	CYLINDER BLOCK	1	610001-____	
4	30M7023	PLUG	6		
5	15H562	PIPE PLUG	1		1"
6	MIU800573	BUSHING	1		Camshaft
7	MIU800797	SHAFT	1		Idle Gear
8	19M8317	BOLT	3		
9	M87801	PLUG	1		
10	M800974	PIPE	2		Knock
11	AM875371	BEARING KIT	4		Main (STD)
11	MIA880550	BEARING	4		Under Sized 0.25 MM Main, US
11	MIA880554	BEARING	4	610001-____	Main
12	BEARING CAP	3		Main Bearing
13	M801189	BOLT	8		
14	BEARING CAP	1		Main Bearing
15	MIA880555	BEARING	2	____-610000	Thrust
15	MIA882809	BEARING KIT	1	610001-____	Thrust
16	CH10335	PLUG	3		
17	CH10314	PLUG	1		
18	M802255	PIN	4		
19	M809565	PLUG	1	610001-____	
20	CH18079	SPRING PIN	2		
21	MIA10773	DIESEL ENGINE	1		ORDER MIA12467; Not Illustrated
22	MIA12467	DIESEL ENGINE	1		MARKED 3TNV88-BNJT, Not Illustrated
23	MIA880881	SHORT BLOCK ASSEMBLY	1		Not Illustrated
24	MIA13099	DIESEL ENGINE	1	610001-____	MARKED 3TNV88C-NJT; TIERIVMIA11967; Not Illustrated
25	MIA882690	SHORT BLOCK ASSEMBLY	1	610001-____	SUB FOR MIA12663; MARKED 3TNV88-BNJTA; Not Illustrated

<https://www.ebooklibonline.com>

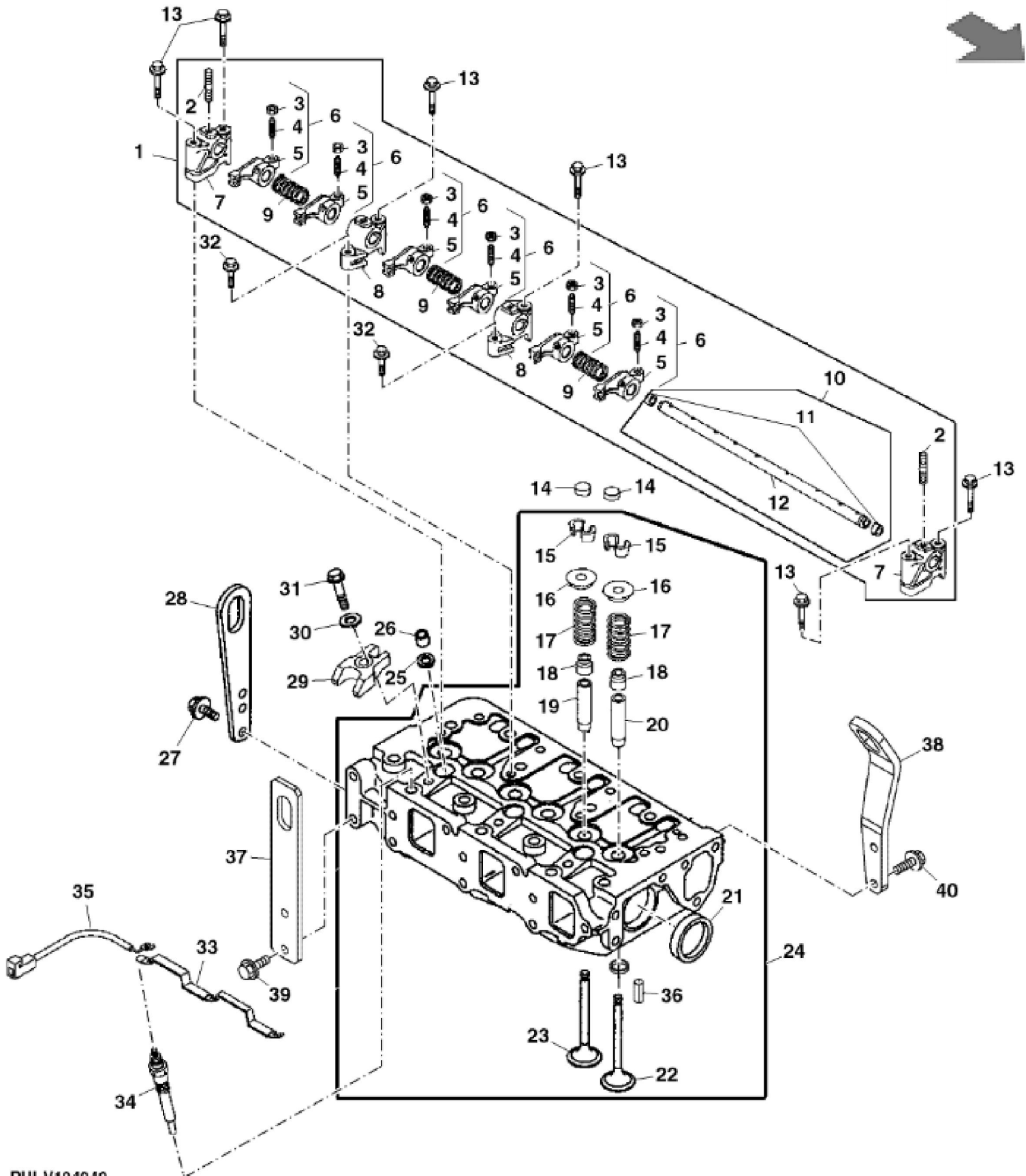
Hello dear friend!

Thank you very much for reading.

Enter the link into your browser.

The full manual is available for immediate download.

<https://www.ebooklibonline.com>

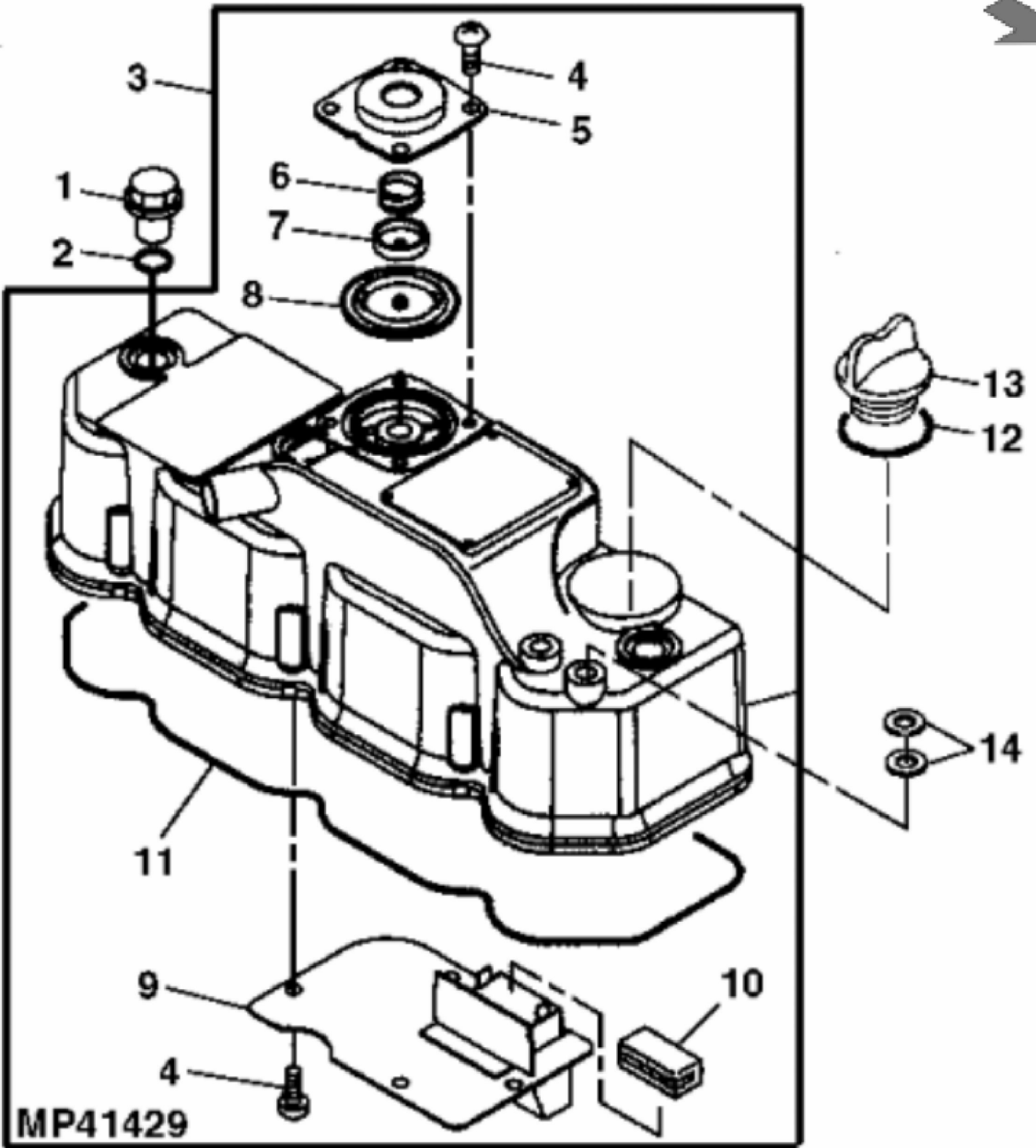


PULV104049

ARMS

KEY	PART NO.	PART NAME	QTY	Engine Serial No.	REMARKS	
1	AM882086	ROCKER ARM SHAFT	1			
2	STUD	2			
3	M801028	NUT	6			
4	M801027	SCREW	6			
5	ROCKER ARM	1			
6	AM881820	ARM	6			
7	M811050	SUPPORT	2		Rocker Arm	
8	M811051	SUPPORT	2		Rocker Arm	
9	M801025	SPRING	3			
10	M811426	ROCKER ARM SHAFT	1			
11	M800002	PLUG	2			
12	SHAFT	1			
13	CH19086	BOLT	6			
14	M801224	CAP	6			
15	AM878862	RETAINER KIT	6		(2 Per Pkg), Valve	
16	M801223	RETAINER	6		Spring	
17	M801222	SPRING	6		Valve	
18	CH10450	SEAL	3		Intake Valve	
18	T110650	SEAL	3	____-610000	Exhaust Valve	
18	MIU802105	SEAL	3	610001-____		
19	M801228	GUIDE	3		Exhaust	
20	M801227	GUIDE	3		Intake	
21	CH16751	PLUG	2			
22	M811557	INTAKE VALVE	3			
23	MIU800494	EXHAUST VALVE	3			
24	MIA880898	CYLINDER HEAD	1	____-610000		
24	MIA882834	CYLINDER HEAD	1	610001-____		
25	M801017	VALVE SEAT	3	____-610000		
25	MIU802096	GASKET	3	610001-____		
26	M811052	SHIELD	3			
27	19M7865	SCREW	4		M8 X 16	
28	AT211695	LIFT ARM	2			
29	MIU802106	RETAINER	3			

KEY	PART NO.	PART NAME	QTY	Engine Serial No.	REMARKS	
30	M811080	WASHER	3			
31	CH19090	BOLT	3		SUB FOR 19M7897	
32	CH19085	BOLT	2			
33	MIU800882	ELECTRICAL CONNECTOR ASSY	1	____-610000		
33	MIU803100	GLOW PLUG	1	610001-____		
34	MIU800816	GLOW PLUG	3			
35	MIU800798	WIRING HARNESS	1		Glow Plug	
36	CH18079	SPRING PIN	2	610001-____		
37	MIU803081	LIFTER KIT	1	610001-____	Engine	
38	MIU803106	LIFTER KIT	1	610001-____	Engine	
39	19M7865	SCREW	2	610001-____	M8 X 16	
40	19M7866	SCREW	2	610001-____	M8 X 20	





Suggest:

For more complete manuals. Please go to the home page.

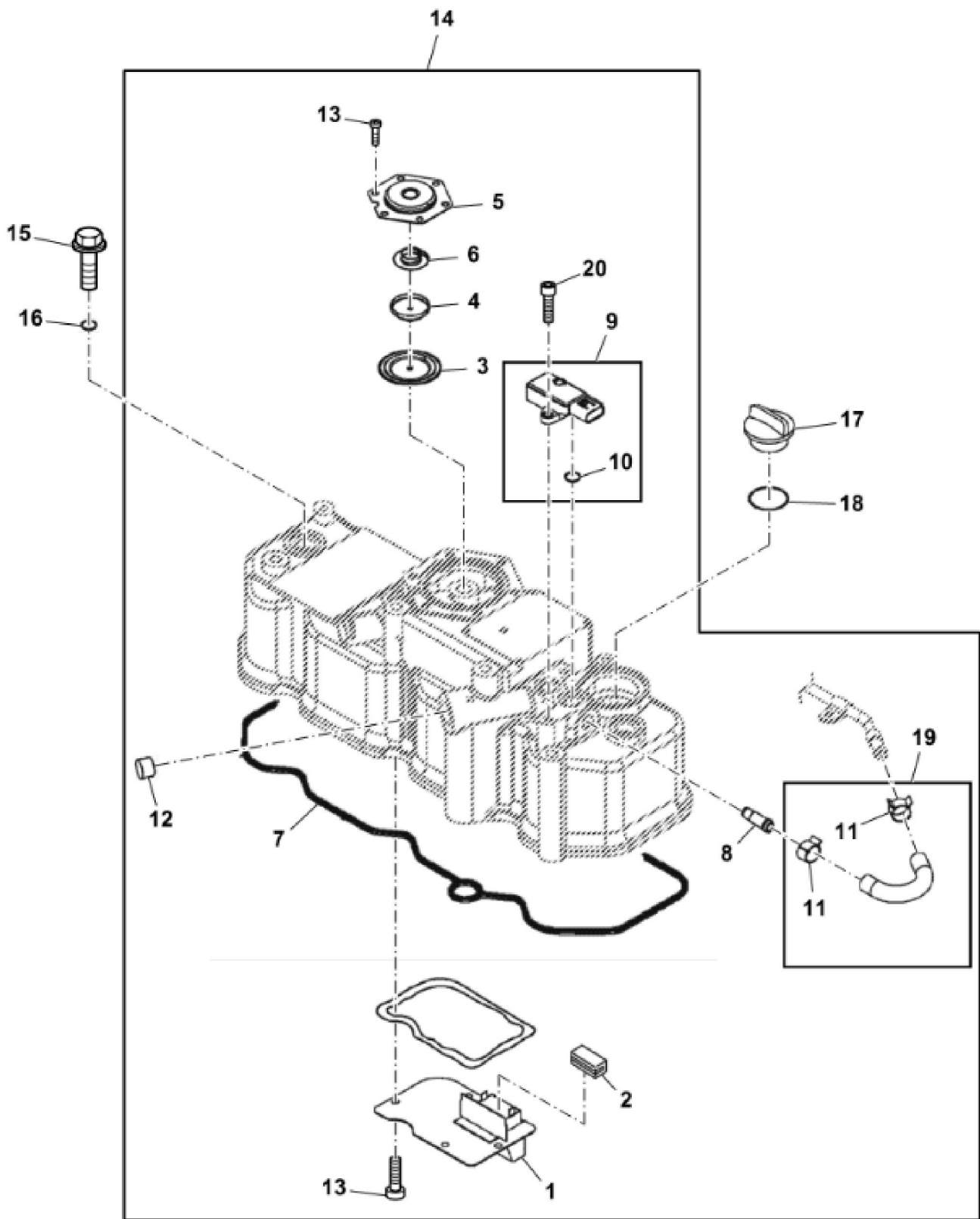
<https://www.ebooklibonline.com>

If the above button click is invalid. Please download this document first, and then click the above link to download the complete manual.

Thank you so much for reading

John Deere > Turf And Utility >TRACTOR, COMPACT UTILITY >3TNV88 - TRACTOR, COMPACT UTILITY >3032E Compact Utility Tractor >20 ENGINE >ST150830 - CYLINDER HEAD COVER AND GASKETS (- 610000)

KEY	PART NO.	PART NAME	QTY	REMARKS	
1	CH10348	NUT	3		
2	CH10568	PACKING	3		
3	AM882087	COVER	1		
4	M807374	SCREW	8		
5	M811649	COVER	1	Breather	
6	M811650	SPRING	1		
7	M811046	PLATE	1		
8	M811048	DIAPHRAGM	1		
9	M811085	PLATE	1		
10	M801032	DEFLECTOR	1		
11	M811429	GASKET	1		
12	M805711	PACKING	1		
13	M805710	CAP	1		
14	24M7362	WASHER	2	8.400 X 16 X 1.600 mm	
..	M64850	SEALANT	AR		



LV291443

<https://www.ebooklibonline.com>

Hello dear friend!

Thank you very much for reading.

Enter the link into your browser.

The full manual is available for immediate download.

<https://www.ebooklibonline.com>