

MP35109

KEY	PART NO.	PART NAME	QTY	REMARKS
1	M800970	BOLT	14	
2	M811815	ENGINE CYLINDER HEAD GASKET	1	
3	CH18079	SPRING PIN	2	
4	M811807	PLUG	3	
5	CYLINDER BLOCK	1	
6	MIU800572	CAMSHAFT	1	(SUB FOR M811828)
7	M87871	BOLT	3	
8	M811882	SHAFT	1	
9	M800006	DOWEL PIN	2	
10	CH10314	PLUG	1	
11	M802255	PIN	2	
12	M802254	PIN	2	
13	MIA880551	BEARING	4	STD (SUB FOR MIA880033)
13	AM882418	BEARING KIT	4	.25 MM (.010"), US
14	AM882419	THRUST WASHER	2	STD
14	AM875594	THRUST WASHER	2	.25 MM (.010"), US
15	M87801	PLUG	1	
16	BEARING CAP	1	
17	M87879	BOLT	8	
18	BEARING CAP	3	
19	MIA880096	CYLINDER BLOCK	1	(SUB FOR AM882444)
20	M811805	PLUG	4	
21	CH10335	PLUG	1	
22	M809593	PLUG	1	
..	ENGINE	1	(MARKED 3TNV76-XJKV)
..	ENGINE	1	(MARKED 3TNV76-XJKVE) (EXPORT)
..	MIA880049	SHORT BLOCK ASSEMBLY	1	NLA; ORDER MIA882684 (SUB FOR AM882468)
..	MIA882684	SHORT BLOCK ASSEMBLY	1	

<https://www.ebooklibonline.com>

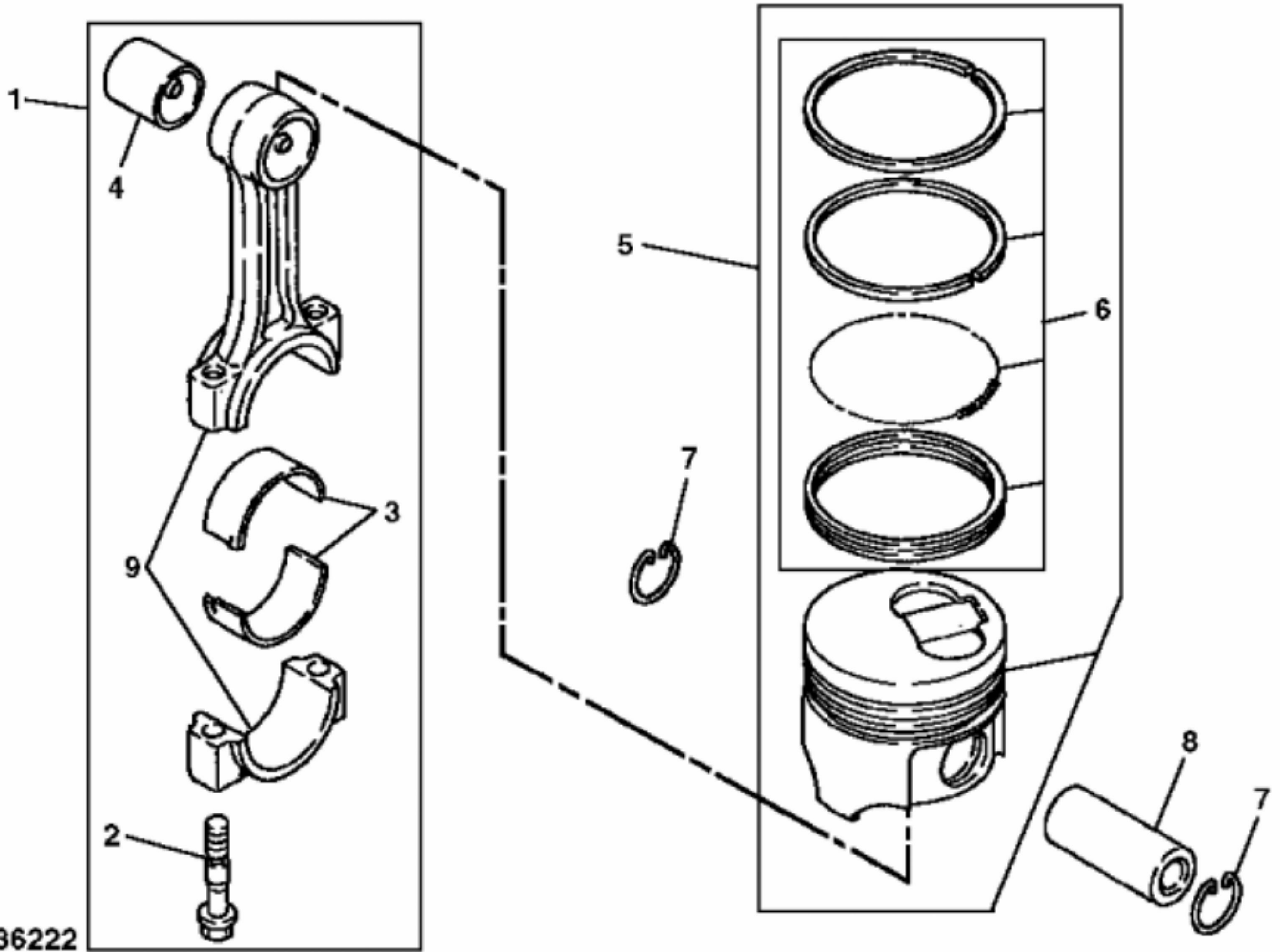
Hello dear friend!

Thank you very much for reading.

Enter the link into your browser.

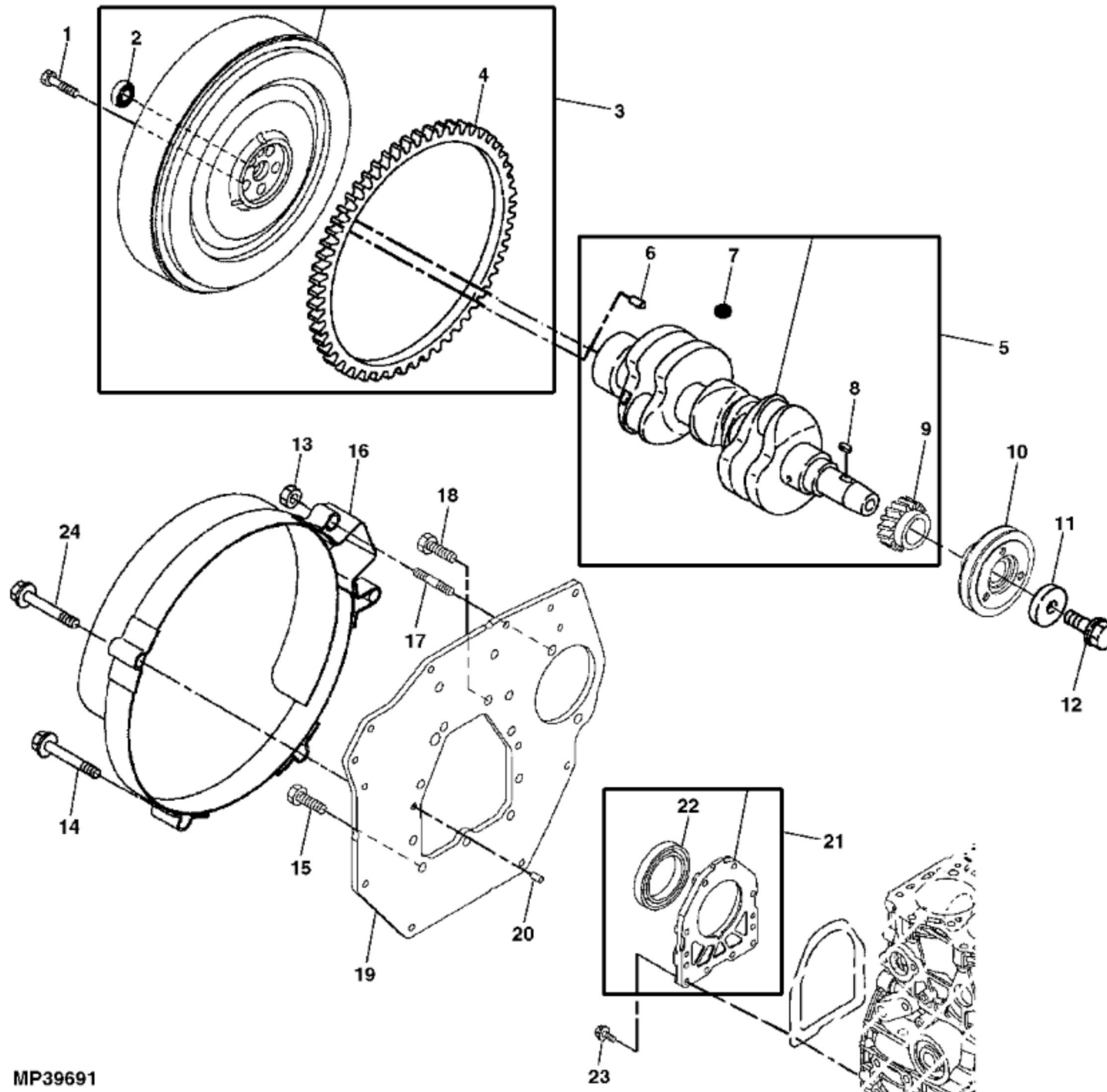
The full manual is available for immediate download.

<https://www.ebooklibonline.com>



MP36222

KEY	PART NO.	PART NAME	QTY	REMARKS	
1	AM882431	CONNECTING ROD	3		
2	M811877	BOLT	6		
3	MIA880561	BEARING	3	STD ;SUB FOR AM882432	
3	AM882433	BEARING KIT	3	.25 MM (.010"), US	
4	M811880	BUSHING	3		
5	AM882426	PISTON	3	STD	
5	AM882430	PISTON	3	.25 MM (.010"), US	
6	AM882428	PISTON RING KIT	3	STD	
6	AM882429	PISTON RING KIT	3	.25 MM (.010"), US	
7	CH11486	RING	6		
8	M811869	PISTON PIN	3		
9	CONNECTING ROD	3		



MP39691



Suggest:

For more complete manuals. Please go to the home page.

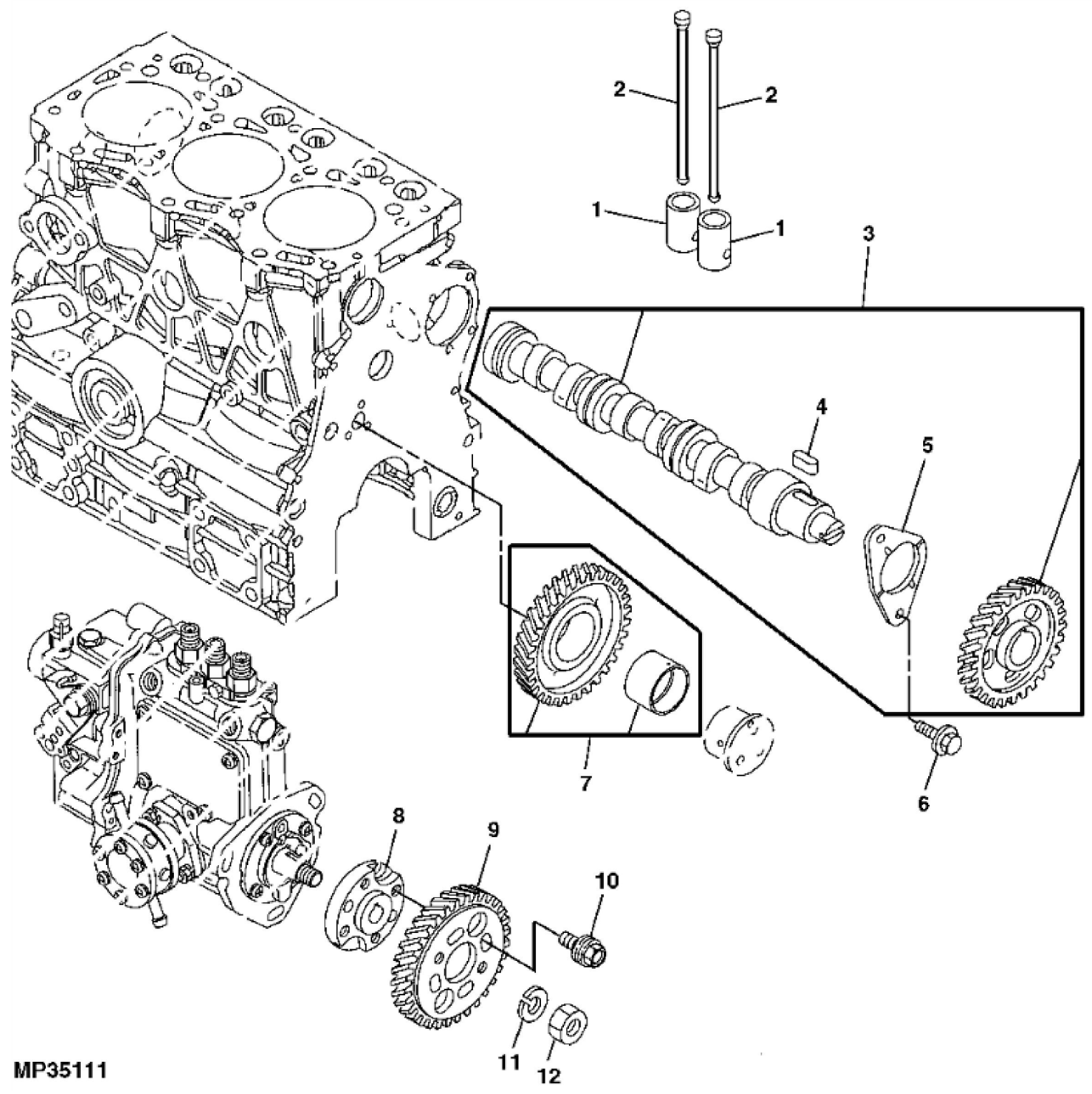
<https://www.ebooklibonline.com>

If the above button click is invalid. Please download this document first, and then click the above link to download the complete manual.

Thank you so much for reading

John Deere > Turf And Utility >TRACTOR, COMPACT UTILITY >3TNV76 - TRACTOR, COMPACT UTILITY >2320 Compact Utility Tractor >20 ENGINE >ST149755 - CRANKSHAFT, FLYWHEEL AND MOUNTING FLANGE

KEY	PART NO.	PART NAME	QTY	REMARKS
1	M87887	BOLT	5	
2	M807344	BEARING	1	
3	MIA880102	FLYWHEEL	1	
4	M88025	RING GEAR	1	
5	AM882425	CRANKSHAFT	1	
6	M802255	PIN	1	
7	400R	BALL	1	
8	M87812	SHAFT KEY	1	
9	M811864	GEAR	1	
10	MIU800069	PULLEY	1	
11	M800308	WASHER	1	
12	M800075	BOLT	1	
13	M801156	NUT	1	
14	19M8317	SCREW	2	M8 X 40
15	19M7402	CAP SCREW	3	M10 X 25
16	MIU800146	COVER	1	
17	M87982	STUD	2	
18	M800011	BOLT	7	M10 X 20
19	MIU800145	FLANGE	1	
20	M802255	PIN	2	
21	AM882411	HOUSING	1	
22	M801941	SEAL	1	
23	M87826	BOLT	10	
24	M87885	BOLT	2	M8 X 80



MP35111

<https://www.ebooklibonline.com>

Hello dear friend!

Thank you very much for reading.

Enter the link into your browser.

The full manual is available for immediate download.

<https://www.ebooklibonline.com>